

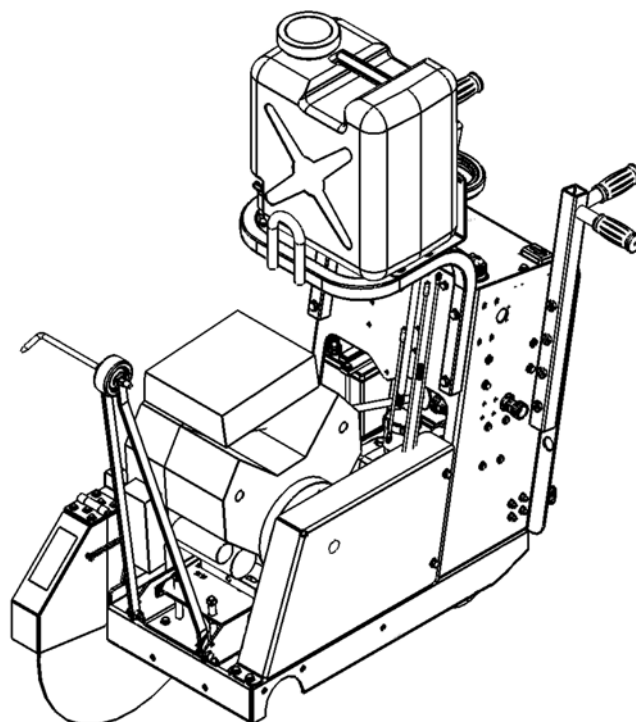
# **Ersatzteilliste**

*Spare Parts List / Liste des pièces détachées / Lista delle parti di ricambio*

---

## **Fugenschneider FSG620\*\***

*Index / Indice 001*



## Verwendung der Ersatzteilliste

Die Ersatzteilliste ist keine Montage- oder Demontageanleitung. Diese Ersatzteilliste dient ausschliesslich zum einfachen und schnellen Finden von Ersatzteilen, die bei der untenstehenden Adresse bestellt werden können.

### Sicherheitsvorschrift



#### Gefahr

**Montieren oder demontieren von Baugruppen kann Risiken bergen, auf die in dieser Ersatzteilliste nicht hingewiesen wird.**

**Das Verwenden dieser Ersatzteilliste für Montage- oder Demontagezwecke ist strikte verboten. Für Montage- und Demontearbeiten sind ausschliesslich die entsprechenden Beschreibungen in der Betriebsanleitung zu befolgen.**

**Nichtbeachten dieser Vorschrift kann zu Verletzungen führen, die im schlimmsten Fall auch den Tod zur Folge haben könnten.**

### Bestellungen



#### Information

Um Falschlieferungen zu vermeiden sollten vor der Versendung die Angaben in der Bestellung auf Richtigkeit und Vollständigkeit (siehe unter Bestellangaben) überprüft werden.

Es ist auch darauf zu achten, dass die Lieferadresse vollständig angegeben ist.

### Bestelladresse:

**TYROLIT Hydrostress AG**  
Witzbergstrasse 18  
CH-8330 Pfäffikon  
Switzerland  
Telefon +41 (0) 44 / 952 18 18  
Telefax +41 (0) 44 / 952 18 00  
e-mail: [info@tyrolit.com](mailto:info@tyrolit.com)  
[www.tyrolit.com](http://www.tyrolit.com)

# **Ersatzteilliste**

## **Bestellangaben**

Bei Bestellungen von Ersatzteilen benötigen wir folgende Angaben:

- Maschinentyp gemäss Typenschild
- Maschinenummer gemäss Typenschild
- Maschinenindex gemäss Typenschild
- Ersatzteilnummer gemäss Ersatzteilliste

Für Bestellungen, Fragen und Informationen wenden Sie sich bitte an die zuständige Niederlassung.

## How to use the spare parts list

The spare parts list is not intended as instructions for assembly or dismantling work. It is exclusively intended to help you to quickly and easily find spare parts, which can then be ordered at the address below.

### Safety regulations



#### Danger

**The assembling or dismantling of modules can involve risks which are not identified in this spare parts list.**

**The use of this spare parts list for assembly or dismantling purposes is strictly forbidden. For assembly or dismantling tasks it is essential to only follow the corresponding descriptions in the operating manual.**

**If this regulation is not heeded injuries may be incurred which in the worst case can also be fatal.**

### Ordering



#### Information

To avoid incorrect deliveries you should check the order details for correctness and completeness (see under ordering details) prior shipment.

You should ensure that the delivery address is given in full.

### Order address:

#### **TYROLIT Hydrostress AG**

Witzbergstrasse 18

CH-8330 Pfäffikon

Switzerland

Tel. +41 (0) 44 / 952 18 18

Fax. +41 (0) 44 / 952 18 00

e-mail: [info@tyrolit.com](mailto:info@tyrolit.com)

[www.tyrolit.com](http://www.tyrolit.com)

# Spare Parts List

## Ordering details

When spare parts are ordered we need the following details:

- Machine type according to nameplate
- Machine number according to nameplate
- Machine index according to nameplate
- Spare part number according to the spare parts list

For orders, questions and information please contact your responsible branch office.

## Utilisation de la liste des pièces détachées

La liste des pièces détachées n'est pas une instruction de montage ou de démontage. Cette liste sert exclusivement à trouver simplement et rapidement les pièces détachées, qui peuvent être commandées à l'adresse mentionnée ci-dessous.

### Prescription de sécurité



#### Danger

**Le montage ou le démontage des modules peut présenter des risques dont il n'est pas fait mention dans cette liste des pièces détachées.**

**Il est strictement interdit d'employer cette liste des pièces détachées à des fins de montage ou de démontage. Pour les opérations de montage et de démontage, il faut exclusivement suivre les descriptions correspondantes dans le mode d'emploi.**

**Le non-respect de la présente prescription peut conduire à des blessures, pouvant même entraîner la mort.**

### Commandes



#### Information

Pour éviter des livraisons inappropriées, il est conseillé de vérifier avant l'expédition l'exactitude et l'exhaustivité des indications fournies dans la commande (voir Données de commande).

Il faut aussi veiller à bien indiquer l'adresse de livraison en entier.

### Adresse de commande :

**TYROLIT Hydrostress AG**

Witzbergstrasse 18

CH-8330 Pfäffikon

Suisse

Téléphone +41 (0) 44 / 952 18 18

Télécopie +41 (0) 44 / 952 18 00

e-mail: [info@tyrolit.com](mailto:info@tyrolit.com)

[www.tyrolit.com](http://www.tyrolit.com)

## Liste des pièces détachées

### Données de commande

Lors de la commande de pièces détachées, nous avons besoin des données suivantes :

- Type de machine selon la plaque signalétique
- Numéro de machine selon la plaque signalétique
- Indice de machine selon la plaque signalétique
- Numéro de pièce détachée selon la liste des pièces détachées

Pour les commandes, questions et informations, vous êtes prié de vous adresser à la filiale compétente.

## Uso della lista delle parti di ricambio

La lista delle parti di ricambio non è un manuale d'istruzioni per montaggio o smontaggio. Questa lista delle parti di ricambio serve esclusivamente per trovare in modo semplice e rapido parti di ricambio che possono essere ordinate all'indirizzo riportato qui sotto.

### Norme di sicurezza



#### Pericolo

**Il montaggio o lo smontaggio di componenti della macchina può comportare pericoli che non sono indicati in questa lista delle parti di ricambio.**

**E' assolutamente vietato servirsi di questa lista delle parti di ricambio per scopo di montaggio o di smontaggio. Per operazioni di montaggio o smontaggio occorre seguire esclusivamente le relative istruzioni nel manuale per l'uso della macchina.**

**La mancata osservanza di queste norme può comportare lesioni, e nel caso peggiore anche la morte.**

### Ordinazioni



#### Informazione

Per evitare forniture incorrette, occorre verificare prima dell'invio dell'ordinazione se i dati indicati in essa sono corretti e completi (vedere la lista dei dati per l'ordinazione).

Occorre verificare anche se l'indirizzo per la consegna è esatto e completo.

### Indirizzo per ordinazioni:

**TYROLIT Hydrostress AG**

Witzbergstrasse 18

CH-8330 Pfäffikon

Svizzera

Tel. +41 (0) 44 / 952 18 18

Fax. +41 (0) 44 / 952 18 00

e-mail: [info@tyrolit.com](mailto:info@tyrolit.com)

[www.tyrolit.com](http://www.tyrolit.com)



## **Lista delle parti di ricambio**

### **Dati per l'ordinazione**

Per ordinazioni di parti di ricambio ci occorrono i dati seguenti:

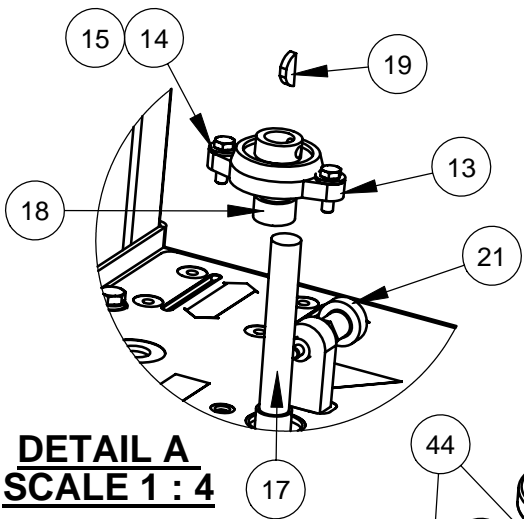
- Tipo di macchina indicato sulla targhetta della macchina
- Numero della macchina indicato sulla targhetta della macchina
- Indice della macchina indicato sulla targhetta della macchina
- Numero della parte di ricambio secondo la lista di parti di ricambio

Per ordinazioni, domande o richieste d'informazioni Vi preghiamo di rivolgerVi all'agenzia competente.

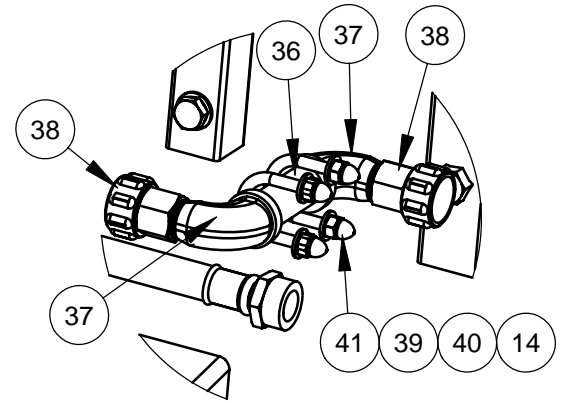
## Quick Reference Service Filters/ Belts

<u>DP Part No.</u>	<u>Description</u>	<u>Manufacturer's Part No.</u>
2701757	Pre-Cleaner Air Filter for 16HP Briggs	(B&S #272490)
2701758	Air Filter for 16HP Briggs	(B&S #394018)
2700201	Air Filter for 13HP Honda	(Honda #17210-ZE3-505)
2700142	Air Filter for 20HP Honda	(Honda #17210-759-013)
2701841	Fuel Filter for 16HP Briggs	(B&S #808116S)
2703150	Fuel Filter for 13HP Honda	(Honda #17672RZE2-W01)
2700348	Fuel Filter for 20HP Honda	(Honda #17672-880-000)
2702211	Oil Filter for 16HP Briggs	(B&S #492932S)
2701501	Oil Filter for 20HP Honda	(Honda #15400-P0H-305PE)
2500035	Blade Shaft Belt (3) for 13HP Honda	(Gates #3VX335)
2500036	Blade Shaft Belt (4) for 20HP Honda/16HP Briggs	(Gates #3VX355)
2500037	Blade Shaft Belt (4) for Electric/Hydraulic Motors	(Gates #3VX375)
2500033	Transmission Belt for 13HP Honda	(Gates #4L-430)
2500632	Transmission Belt for 20HP Honda/16HP Briggs	(Gates #4L-410)
2500635	Transmission Belt for Electric Motors	(Gates #4L-420)
2500632	Transmission Belt for Hydraulic Motor	(Gates #4L-410)

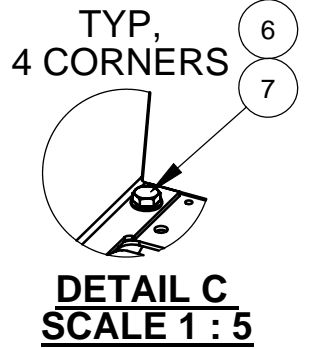
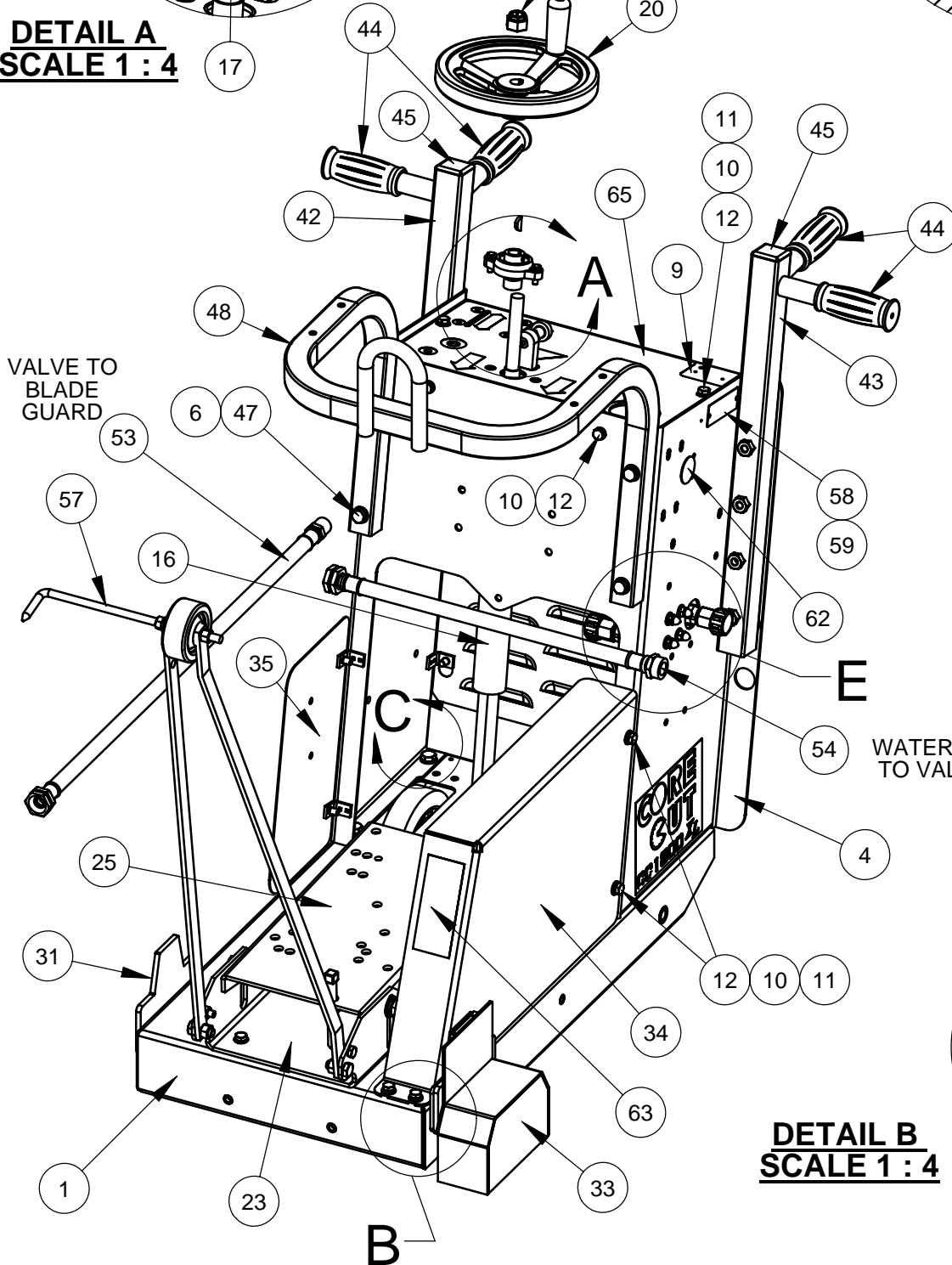
# 6048960: COMMON PARTS



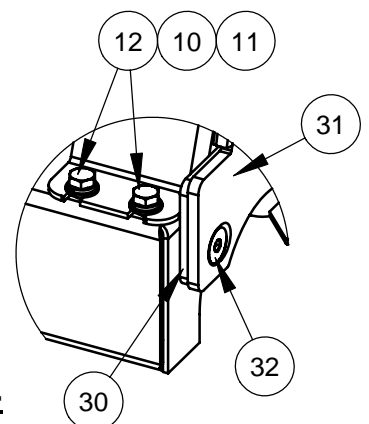
**DETAIL A**  
**SCALE 1 : 4**



**DETAIL E**  
**SCALE 1 : 4**



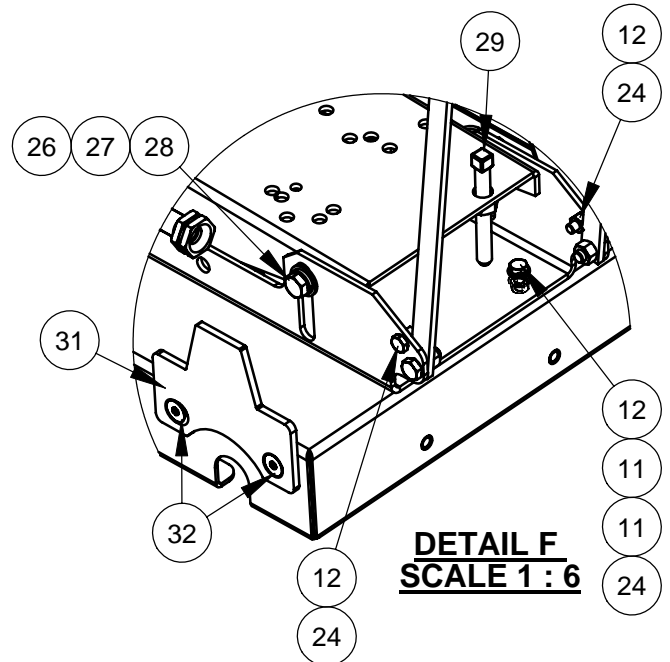
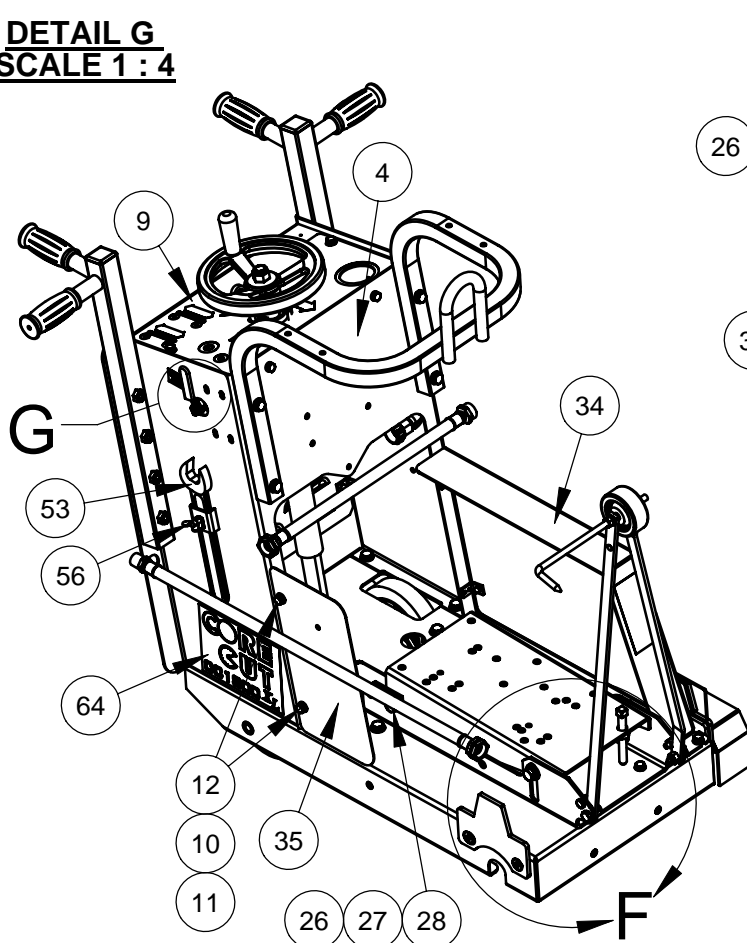
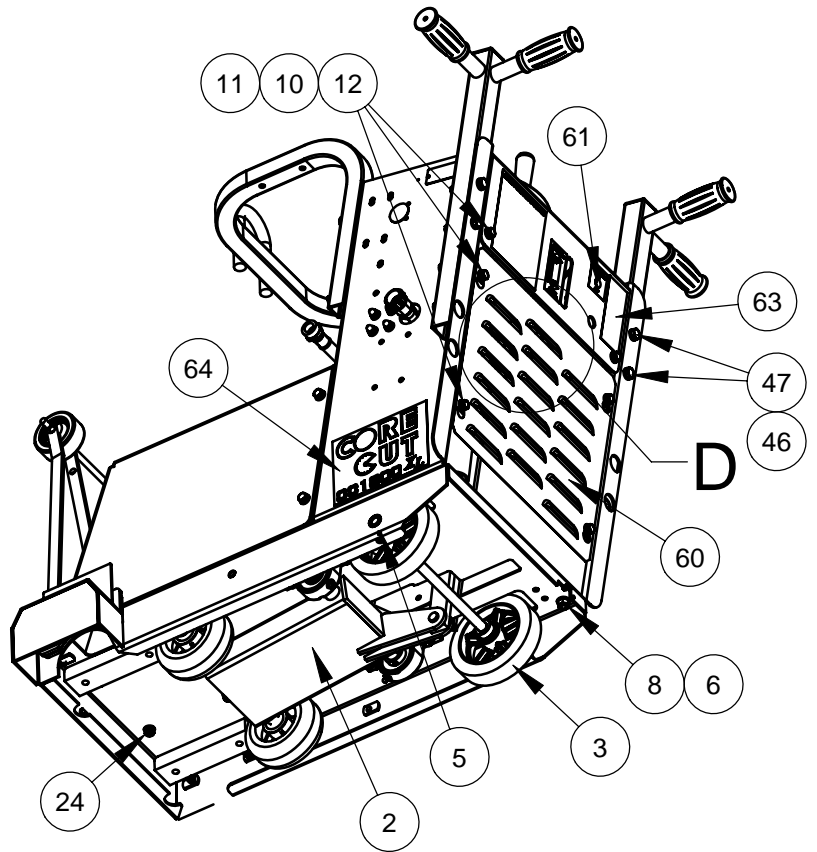
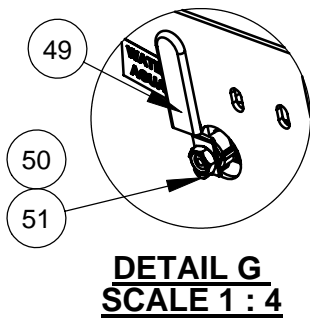
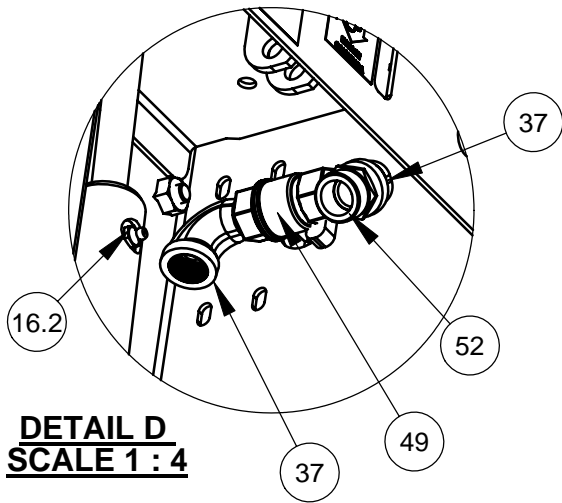
**DETAIL C**  
**SCALE 1 : 5**



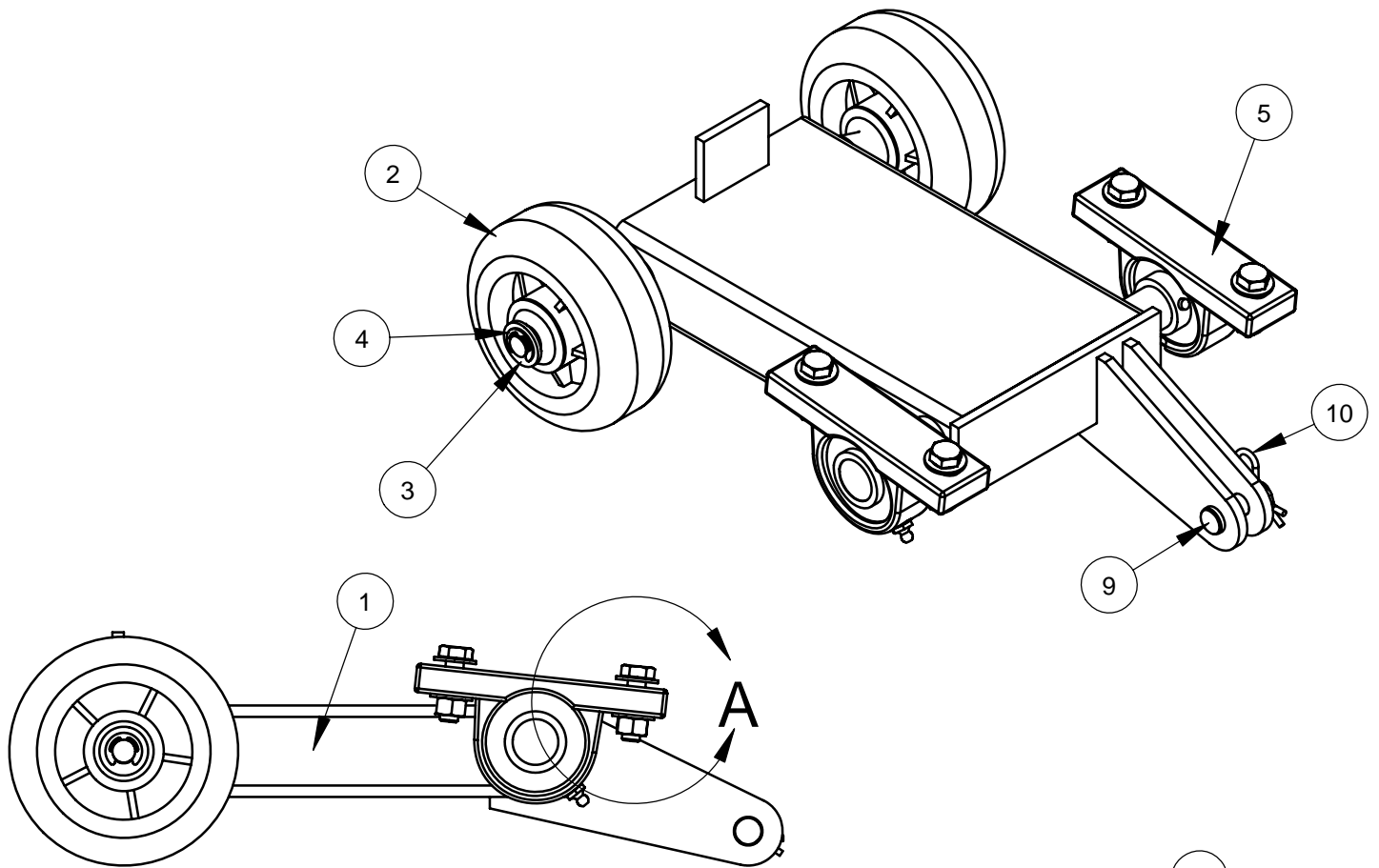
**DETAIL B**  
**SCALE 1 : 4**

ITEM	PART	QTY.	DESCRIPTION
1	6048859	1	Frame Weldment, CC1800
2	6048956	1	Axle Assembly
3	6048104	1	Axle Assembly
4	6048331	1	Frame Upright Weldment
5	2900056	2	Set Screw, Soc. Hd., 1/4-20 x 1/4"
6	2900014	12	Flat Washer, 3/8" SAE
7	2900314	4	Cap Screw, Hex Hd., M10 x 20mm
8	2900304	4	Lock Nut, M10 Nylon
9	6048330	1	Control Panel Weldment
10	2900031	16	Lock Washer, 5/16" Split
11	2900022	26	Flat Washer, 5/16" SAE
12	2900329	24	Capscrew, Hex Hd., M8 x 20mm
13	2500807	1	Bearing, 5/8", Two Bolt Flange
14	2900009	6	Flat Washer, 1/4" SAE
15	2900310	2	Cap Screw, Hex Hd., M6 x 20mm
16	6047928	1	Adjustment Shaft W/Grease Fitting
16.1	6047927	1	Adjustment Shaft
16.2	2900062	1	Grease Fitting, 1/8" NPT
17	6047929	1	Adjustment Screw
18	6047931	1	Spacer Tube 7/8 x 1/2
19	2900352	1	Woodruff Key, 5/32 x 3/4, #506
20	2500800	1	Handwheel
21	2400138	1	Indexing Plunger, 1/2-13 UNC
22	2900355	1	Lock Nut, 5/8-18, Flex Top
23	6048060	1	Engine Base Mount
24	2900303	8	Lock Nut, M8 Nylon
25	6048059	1	Engine Base Weldment
26	2900058	4	Flat Washer, 1/2" SAE
27	2900084	4	Lock Washer, 1/2" Split
28	2900330	4	Cap Screw, Hex Hd., M8 x 30mm
29	2900332	1	Setscrew, Sq. Hd., M12 x 100mm
30	6048915	1	Tapered Guard Mount Spacer
31	6048908	2	Tapered Guard Mount
32	2900744	4	Capscrew, Flat Hd., M10 x 25mm
33	6048906	1	Shaft Guard
34	6048329	1	Belt Guard
35	6048328	1	Slurry Shield
36	3201737	1	1/2" NPT x 3", Nipple
37	3200013	4	Street Elbow, 1/2" NPT
38	3200022	2	Fitting, 1/2" F. Pipe to 3/4" F. Garden
39	2900241	2	U-Bolt, 1/2" Pipe
40	2900125	4	Hex Nut, 1/4-20
41	2900827	4	Acorn Nut, High Crown, 1/4-20
42	6048601	1	Handlebar
43	6048602	1	Handlebar
44	2500636	4	Handle Grip
45	2503925	2	Cap, 1-1/2" Sq. Tube
46	2900321	4	Lock Washer, M10 Split
47	2900318	8	Cap Screw, Hex Hd., M10 x 50mm
48	6048632	1	Lift Bar Assembly
49	3200026	1	Water Valve
50	2900038	2	Lock Washer, #10 Split
51	2900021	2	Machine Screw, Pan Hd., #10-24 x 3/8"
52	3200155	1	Fitting, 1/2" M. Pipe to 3/4" M. Garden
53	2500256	1	Wrench Head
54	6048919	1	Hose Assy., 1/2 x 30", Water
55	6048918	1	Hose Assy., 1/2 x 18-1/2", Water
56	2900307	1	Wing Screw, M6 x 16mm
57	6048080	1	Pointer Assembly
58	1800169	1	Serial Number Plate, US
59	2900053	2	Rivet, 3/32" Dia.
60	6048063	1	Rear Cover Screen
61	2500204	1	Plug, 1/2" Hole
62	2501146	1	Plug, 1-1/4" Hole
63	1800001	2	Warning Label
64	1801023	2	CC1800XL Core Cut Decal
65	1801022	1	CC 1800XL Label, Operating

# 6048960: COMMON PARTS



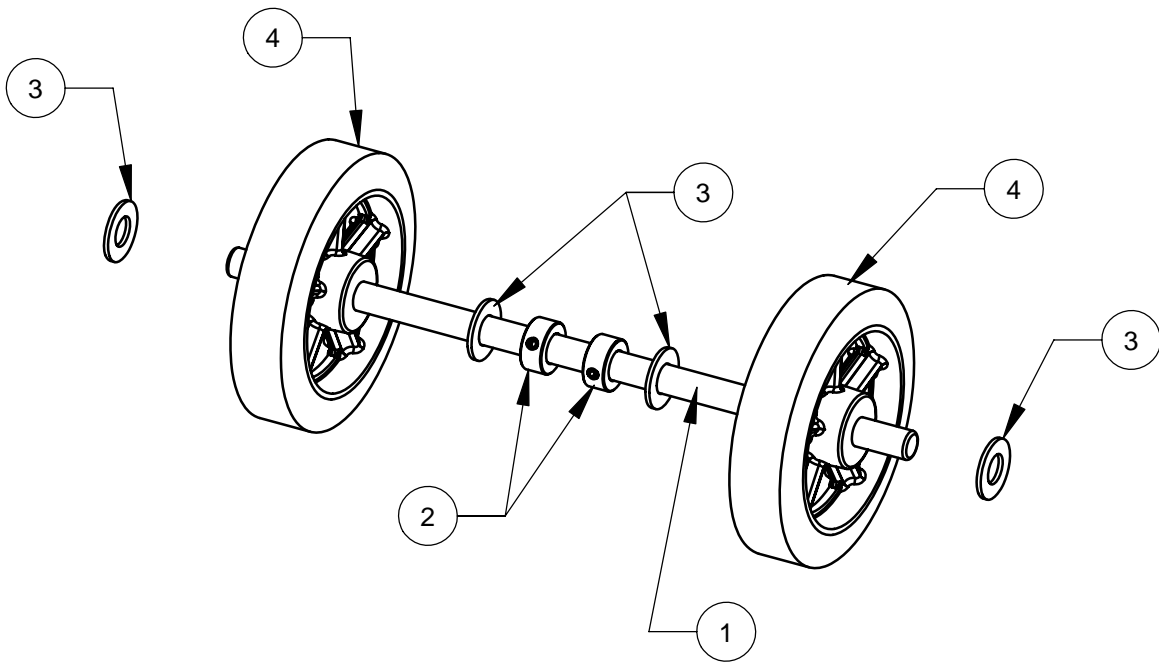
ITEM	PART	QTY.	DESCRIPTION
1	6048859	1	Frame Weldment, CC1800
2	6048956	1	Axle Assembly
3	6048104	1	Axle Assembly
4	6048331	1	Frame Upright Weldment
5	2900056	2	Set Screw, Soc. Hd., 1/4-20 x 1/4"
6	2900014	12	Flat Washer, 3/8" SAE
7	2900314	4	Cap Screw, Hex Hd., M10 x 20mm
8	2900304	4	Lock Nut, M10 Nylon
9	6048330	1	Control Panel Weldment
10	2900031	16	Lock Washer, 5/16" Split
11	2900022	26	Flat Washer, 5/16" SAE
12	2900329	24	Capscrew, Hex Hd., M8 x 20mm
13	2500807	1	Bearing, 5/8", Two Bolt Flange
14	2900009	6	Flat Washer, 1/4" SAE
15	2900310	2	Cap Screw, Hex Hd., M6 x 20mm
16	6047928	1	Adjustment Shaft W/Grease Fitting
16.1	6047927	1	Adjustment Shaft
16.2	2900062	1	Grease Fitting, 1/8" NPT
17	6047929	1	Adjustment Screw
18	6047931	1	Spacer Tube 7/8 x 1/2
19	2900352	1	Woodruff Key, 5/32 x 3/4, #506
20	2500800	1	Handwheel
21	2400138	1	Indexing Plunger, 1/2-13 UNC
22	2900355	1	Lock Nut, 5/8-18, Flex Top
23	6048060	1	Engine Base Mount
24	2900303	8	Lock Nut, M8 Nylon
25	6048059	1	Engine Base Weldment
26	2900058	4	Flat Washer, 1/2" SAE
27	2900084	4	Lock Washer, 1/2" Split
28	2900330	4	Cap Screw, Hex Hd., M8 x 30mm
29	2900332	1	Setscrew, Sq. Hd., M12 x 100mm
30	6048915	1	Tapered Guard Mount Spacer
31	6048908	2	Tapered Guard Mount
32	2900744	4	Capscrew, Flat Hd., M10 x 25mm
33	6048906	1	Shaft Guard
34	6048329	1	Belt Guard
35	6048328	1	Slurry Shield
36	3201737	1	1/2" NPT x 3", Nipple
37	3200013	4	Street Elbow, 1/2" NPT
38	3200022	2	Fitting, 1/2" F. Pipe to 3/4" F. Garden
39	2900241	2	U-Bolt, 1/2" Pipe
40	2900125	4	Hex Nut, 1/4-20
41	2900827	4	Acorn Nut, High Crown, 1/4-20
42	6048601	1	Handlebar
43	6048602	1	Handlebar
44	2500636	4	Handle Grip
45	2503925	2	Cap, 1-1/2" Sq. Tube
46	2900321	4	Lock Washer, M10 Split
47	2900318	8	Cap Screw, Hex Hd., M10 x 50mm
48	6048632	1	Lift Bar Assembly
49	3200026	1	Water Valve
50	2900038	2	Lock Washer, #10 Split
51	2900021	2	Machine Screw, Pan Hd., #10-24 x 3/8"
52	3200155	1	Fitting, 1/2" M. Pipe to 3/4" M. Garden
53	2500256	1	Wrench Head
54	6048919	1	Hose Assy., 1/2 x 30", Water
55	6048918	1	Hose Assy., 1/2 x 18-1/2", Water
56	2900307	1	Wing Screw, M6 x 16mm
57	6048080	1	Pointer Assembly
58	1800169	1	Serial Number Plate, US
59	2900053	2	Rivet, 3/32" Dia.
60	6048063	1	Rear Cover Screen
61	2500204	1	Plug, 1/2" Hole
62	2501146	1	Plug, 1-1/4" Hole
63	1800001	2	Warning Label
64	1801023	2	CC1800XL Core Cut Decal
65	1801022	1	CC 1800XL Label, Operating



## 6048956, AXLE ASSEMBLY

ITEM NO.	PART NUMBER	QTY.	DESCRIPTION
1	6048635	1	Axle Weldment
2	2502194	2	Wheel
3	2900058	2	Flat Washer, 1/2" SAE
4	2503700	2	Retaining Ring, 1/2" External E-Type
5	2500013	2	Bearing, 1" Pillowblock
6	2900956	8	Flat Washer, 7/16" SAE
7	2900315	4	Cap Screw, Hex Hd., M10 x 35mm
8	2900304	4	Lock Nut, M10 Nylon
9	2900277	1	Clevis Pin, 1/2" Dia. x 1-1/2"
10	2900276	1	Hairpin Cotter, 1/8 x 1/2-3/4"

**DETAIL A**  
**SCALE 1 : 2**



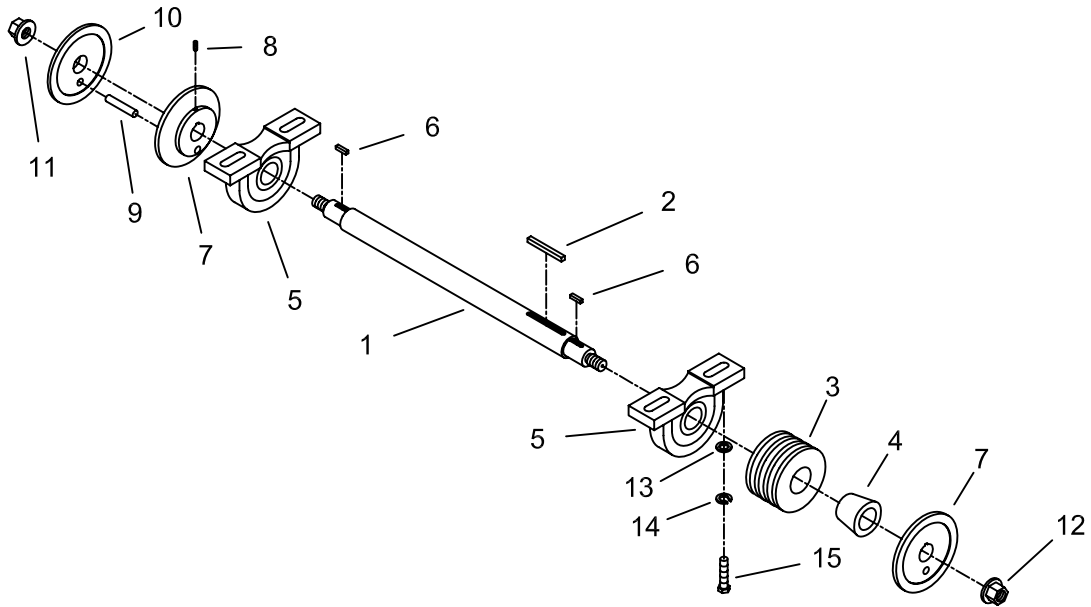
## **6048104, AXLE ASSEMBLY**

ITEM NO.	PART NUMBER	DESCRIPTION	QTY.
1	6048105	Rear Axle	1
2	2500008	Set Collar, 5/8" with Set Screw	2
3	2900002	Flat Washer, 5/8" SAE	4
4	2500003	Wheel 6" x 1-1/2" x 5/8"	2



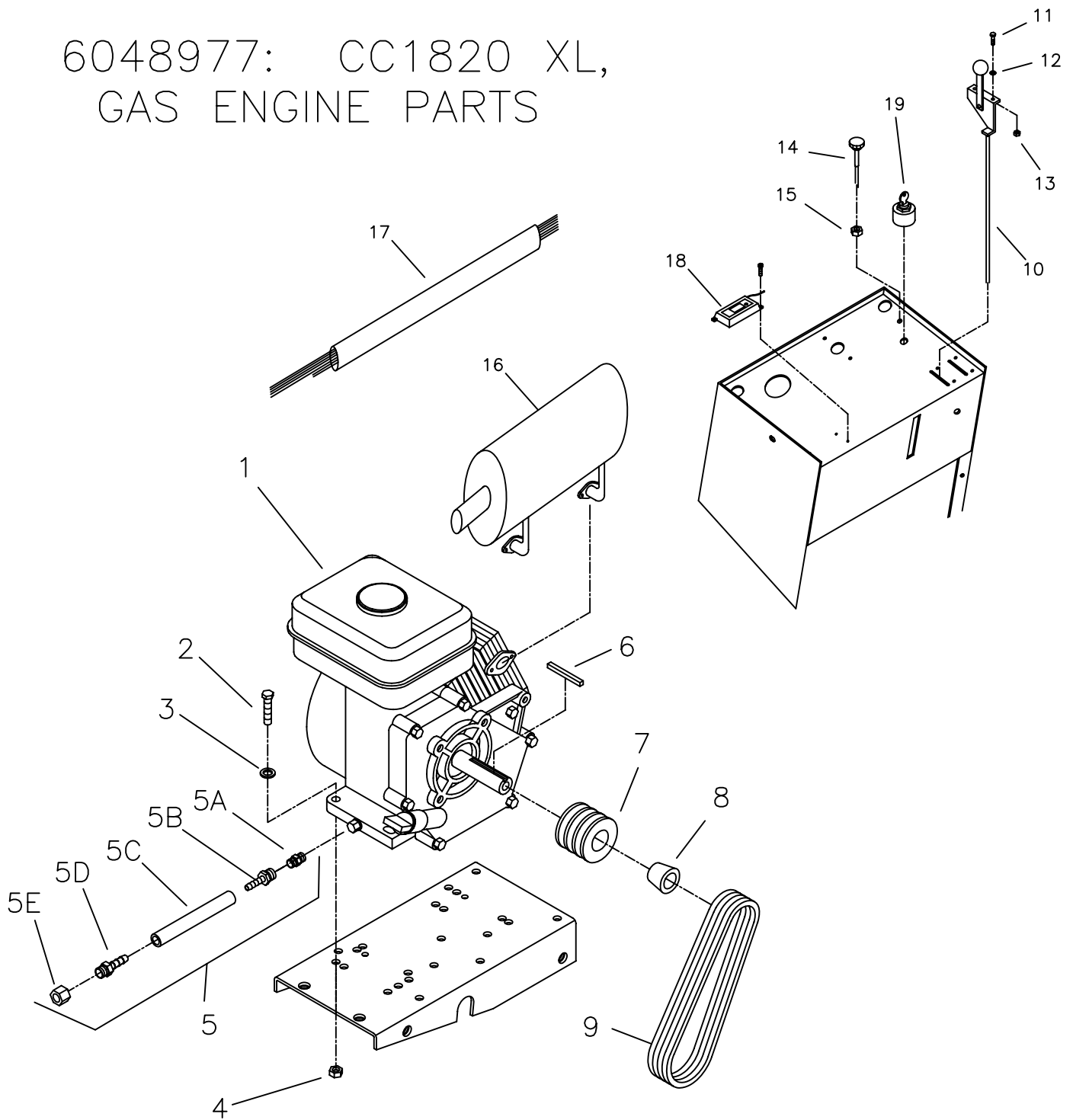
# BLADE SHAFT ASSEMBLY, 6040502

## 16HP VANGUARD & 20HP HONDA



ITEM NO.	PART NO	QTY	DESCRIPTION
1	6048866	1	Blade Shaft
2	6010169	1	Key 1/4" Sq., x 1-1/2"
3	2500621	1	Sheave, 3.65 - 4 Groove
4	2500337	1	Taper Bushing, 1-1/4" W/Set Screws
5	2500365	2	Pillow Block Bearing, 1-1/4"
6	6048018	2	Key, 3/16" Sq., x 3/4"
7	6048008	2	Inner Flange, 4-1/2"
8	2900076	2	Setscrew, Soc. Hd., 1/4-20 x 1/2"
9	290067	1	Drive Pin, 3/8" x 1-1/4"
10	6048009	1	Outer Flange, 4-1/2" W/Pin (#9)
11	2900066	1	Flange Nut, 5/8-11, L. Hand
12	2900065	1	Flange Nut, 5/8-11, R. Hand
13	2900058	4	Flat Washer, 1/2" SAE
14	2900084	4	Lock Washer, 1/2" Split
15	2900331	4	Capscrew, Hex Hd., M12 x 40mm

# 6048977: CC1820 XL, GAS ENGINE PARTS

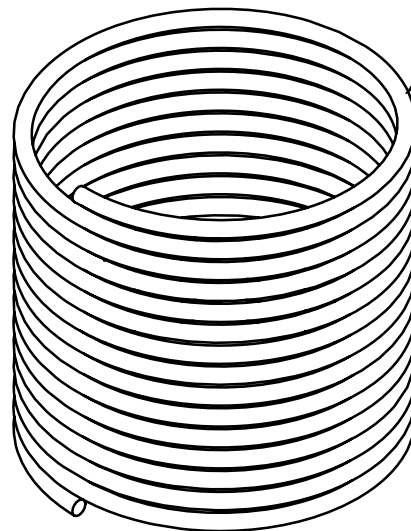
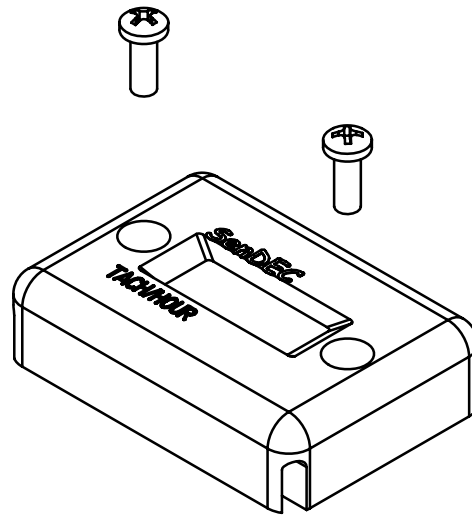


Item	Part No.	Qty.	Description
1	2600161	1	Engine, 20HP Honda, Includes # 19
2	2900317	4	Cap Screw, Hex Hd., M10 x 45mm
3	2900014	4	Flat Washer, 3/8" SAE
4	2900304	4	Lock Nut, M10 Nylon
5	6048043	1	Oil Drain Hose Assembly (Includes 5A- 5E)
5A	3201269	1	Fitting, M14x1.5 MPT to 1/4" FPT
5B	3201270	1	Fitting, 1/4" MPT to 1/4" Pushlock
5C	6048032	1	Oil Drain Hose, 1/4" I.D. x 6"
5D	3200040	1	Fitting, 1/4"M. JIC to 1/4" Pushlock
5E	3200006	1	Cap, 1/4" JIC
6	6011089	1	Key, 1/4 Sq. x 1"
7	2500620	1	Sheave, 2.65 - 4 Groove

Item	Part No.	Qty.	Description
8	2500027	1	Taper Bushing, 1-1/8" w/ Set Screws
9	2500036	4	V-Belt, 3VX355
10	2500810	1	Throttle Control Cable
11	2900309	2	Cap Screw, Hex Hd., M5 x 20mm
12	2900316	2	Flat Washer, #10 USS
13	2900301	2	Lock Nut, M5 Nylon
14	2500377	1	Choke Cable
15	2900148	1	Hex Nut, 3/3-24
16	2702147	1	Muffler Assy., High Mount
17	2800431	1	Wire Harness
18	2800120	1	Tach/Hr Meter, W/ #6 x 3/8" Screws, 2701785
19	2704280	1	Ignition Switch

# TACH / HOURMETER ASSEMBLY: 2800120

Includes Screws and Wire.

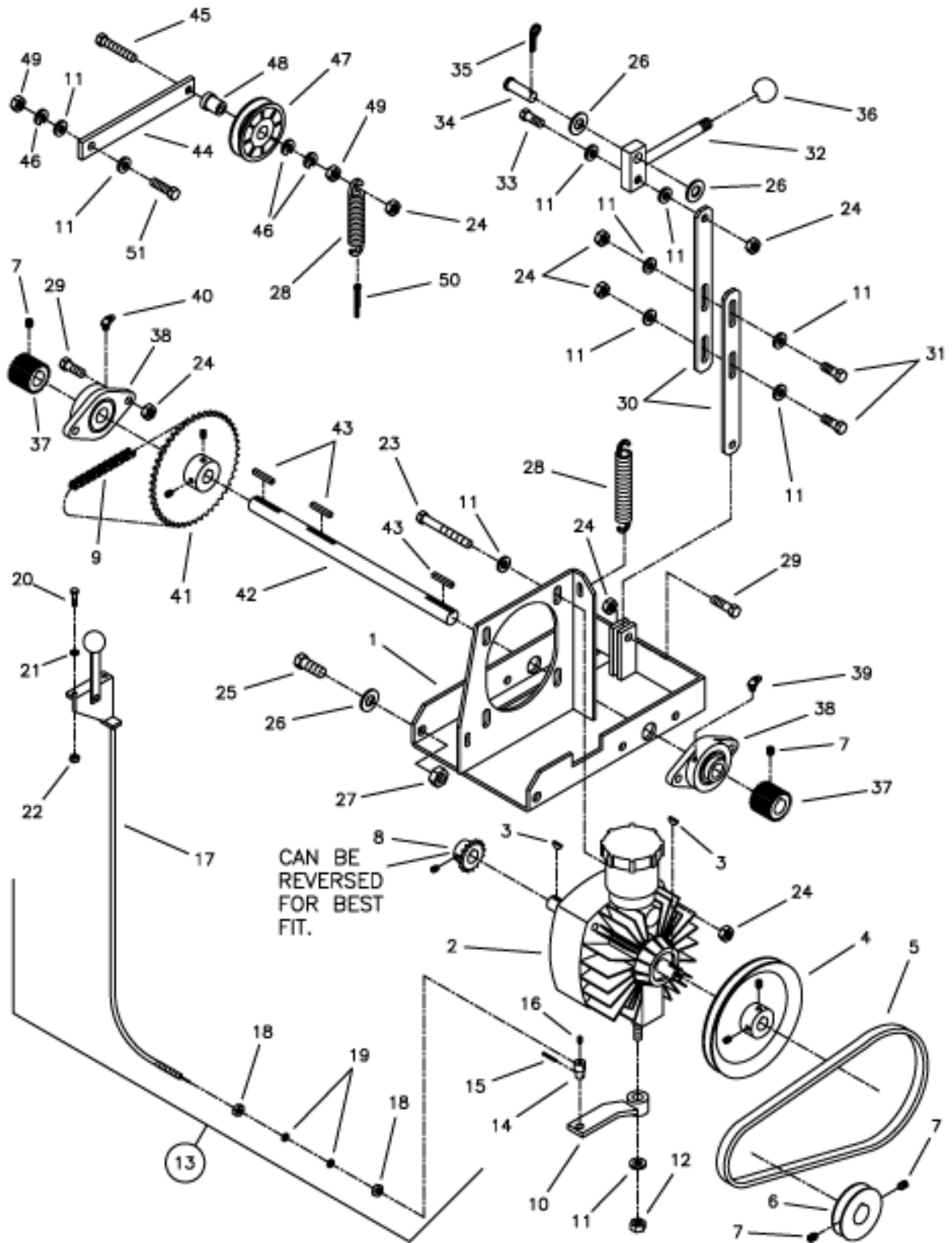


EXTEND TO AND WRAP  
SPARK PLUG WIRE.  
CUT AS REQUIRED.

ITEM NO.	PART NUMBER	QTY.	DESCRIPTION
1	2800120	1	Tach/Hour Meter, Digital
2	2701785	2	Pan Head, Self-tapping, #6-20 x 3/8"

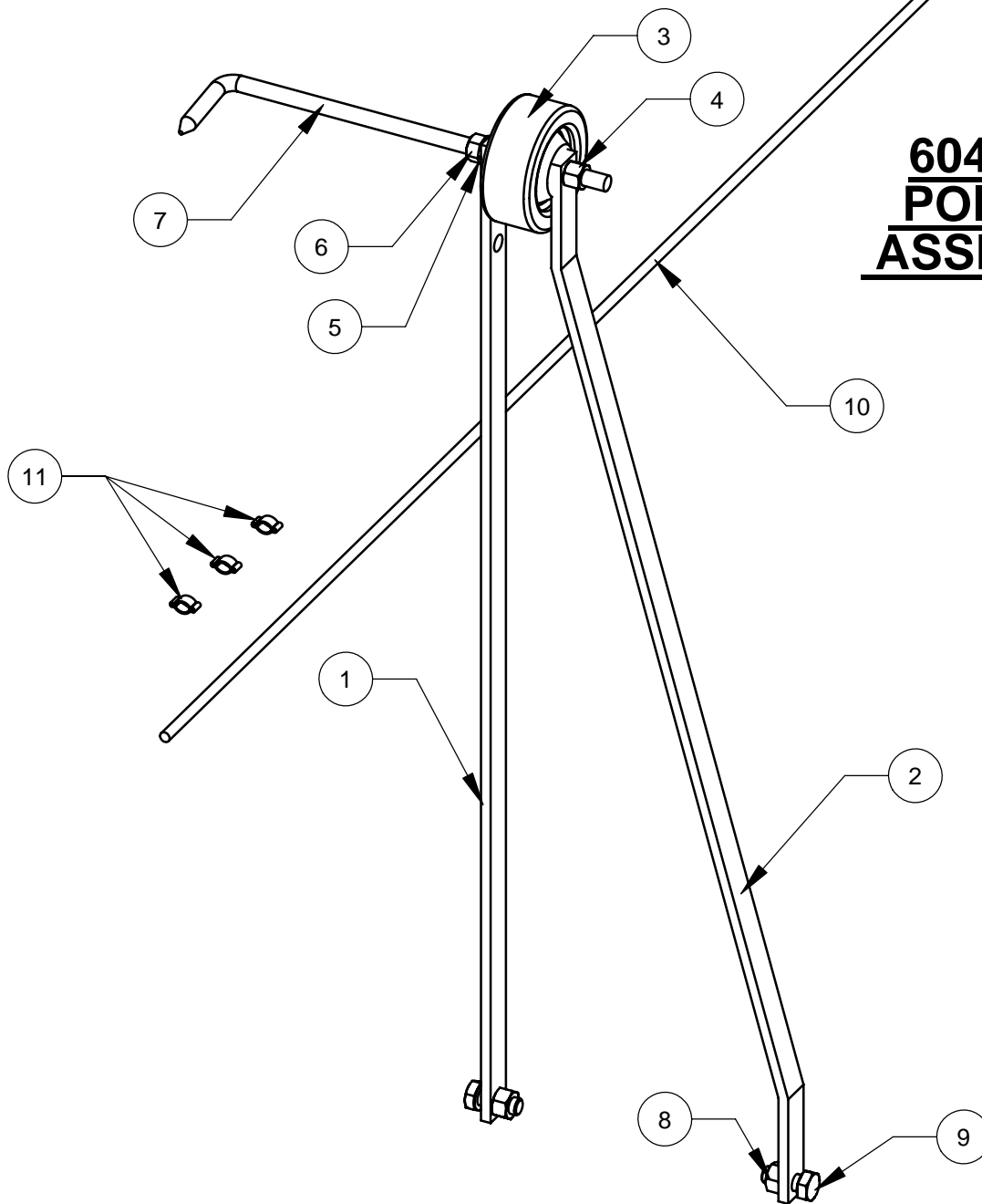
6048108:

TRANSMISSION OPTION



## 6048108: Transmission Option

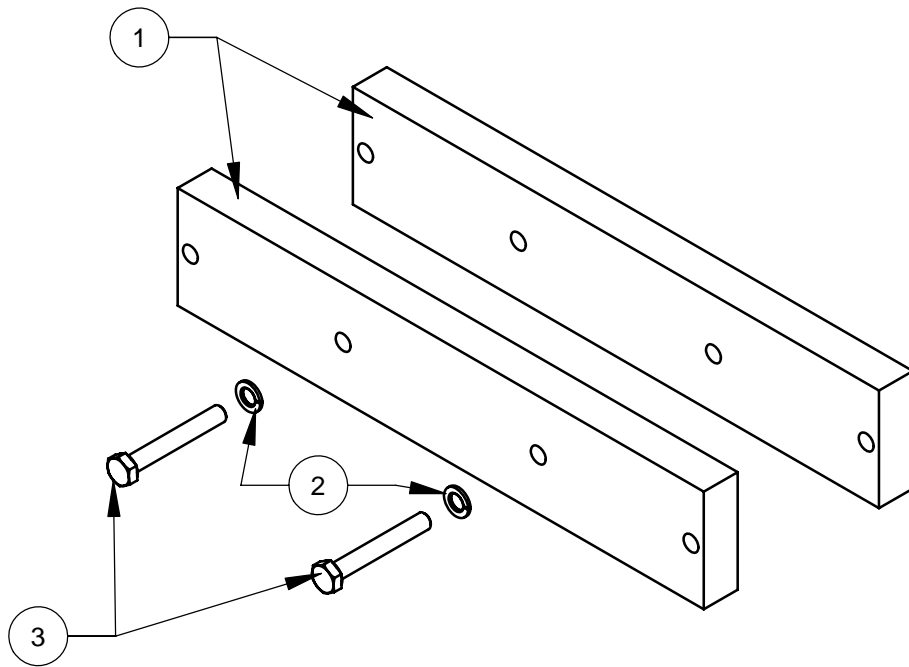
ITEM	PART NO.	QTY	DESCRIPTION
1	6048066	1	Transmission Platform Weldment
2	2600015	1	Transmission
	2700523	1	(Oil Reservoir Only)
3	2900068	2	Woodruff Key #404, 1/8" Wide x 1/2" Dia.
4	2500016	1	Pulley, 6" Dia. with Setscrews
5	2500632	1	V-Belt, 4L-410 (14KC, 16KM, 16BV, 18BV, 20BV, 20KC, 20H)
	2500635	1	V-Belt, 4L-420 (7.5E, 10E)
	2500033	1	V-Belt, 4L-430 (13BV, 13H)
6	6048196	1	Accessory Drive Pulley, 1" Bore (13BV, 13H, 14KC, 16BV, 18BV, 20BV)
	6048195	1	Accessory Drive Pulley, 1-1/8" Bore (For 16KM, 20H Only)
7	2900036	4	Setscrew, Soc. Hd., 5/16"-18 x 1/4"
8	2500017	1	Sprocket, 12 Teeth with Setscrew
9	6048232	1	#35 Chain, 63 Pitch
10	6048211	1	Shift Lever
11	2900014	13	Flat Washer, 3/8" SAE
12	2900018	1	Lock Nut, 3/8"-16 Nylon
13	6048106	1	Transmission Speed Control Assembly (Includes #14 - #22)
14	6048212	1	Pivot Pin
15	2900034	1	Cotter Pin, 3/32" x 3/4"
16	2900059	1	Setscrew, Soc. Hd., #10-32 x 1/4"
17	2500076	1	Transmission Speed Control
18	2900186	2	Hex Nut, 1/4"-28
19	2900009	2	Flat Washer, 1/4" SAE
20	2900309	2	Capscrew, Hex Hd., M5 x 20mm
21	2900016	2	Flat Washer, #10 USS
22	2900301	2	Lock Nut, M5 Nylon
23	2900319	4	Capscrew, Hex Hd., M10 x 80mm
24	2900304	13	Lock Nut, M10 Nylon
25	2900330	2	Capscrew, Hex Hd., M12 x 30mm
26	2900058	4	Flat Washer, 1/2" SAE
27	2900327	2	Lock Nut, M12 Nylon
28	2500070	2	Spring, 3/4" Dia. x 4"
29	2900223	5	Capscrew, Hex Hd., M10 x 30mm
30	6048065	2	Linkage
31	2900333	2	Capscrew, Hex Hd., M10 x 25mm
32	6048057	1	Engagement Lever
33	2900315	1	Capscrew, Hex Hd., M10 x 35mm
34	2900277	1	Clevis Pin, 1/2" Dia. x 1-1/2"
35	2900276	1	Hair Pin Cotter, 1/2"
36	2400007	1	Knob, 1/2"-20
37	6048235	2	Wheel Drive
38	2500011	2	Flange Block Bearing, 3/4"
39	2900061	1	Grease Fitting, 1/4"-28 x 90°
40	2900184	1	Grease Fitting, 1/4"-28 x 45°
41	2500018	1	Sprocket, 48 Teeth with Setscrews
42	6048228	1	Drive Shaft
43	6010170	3	Key, 3/16" Sq. x 1"
44	6048085	1	Idler Arm
45	2900337	1	Capscrew, Hex Hd., M10 x 50mm (Full)
46	2900321	3	Lock Washer, M10 Split
47	2500074	1	Idler Pulley With Bushing #48
48	2500246	1	Bushing Only
49	2900325	2	Hex Nut, M10
50	2900055	1	Cotter Pin, 3/16" x 1"
51	2900317	1	Capscrew, Hex Hd., M10 x 45mm



**6048080**  
**POINTER**  
**ASSEMBLY**

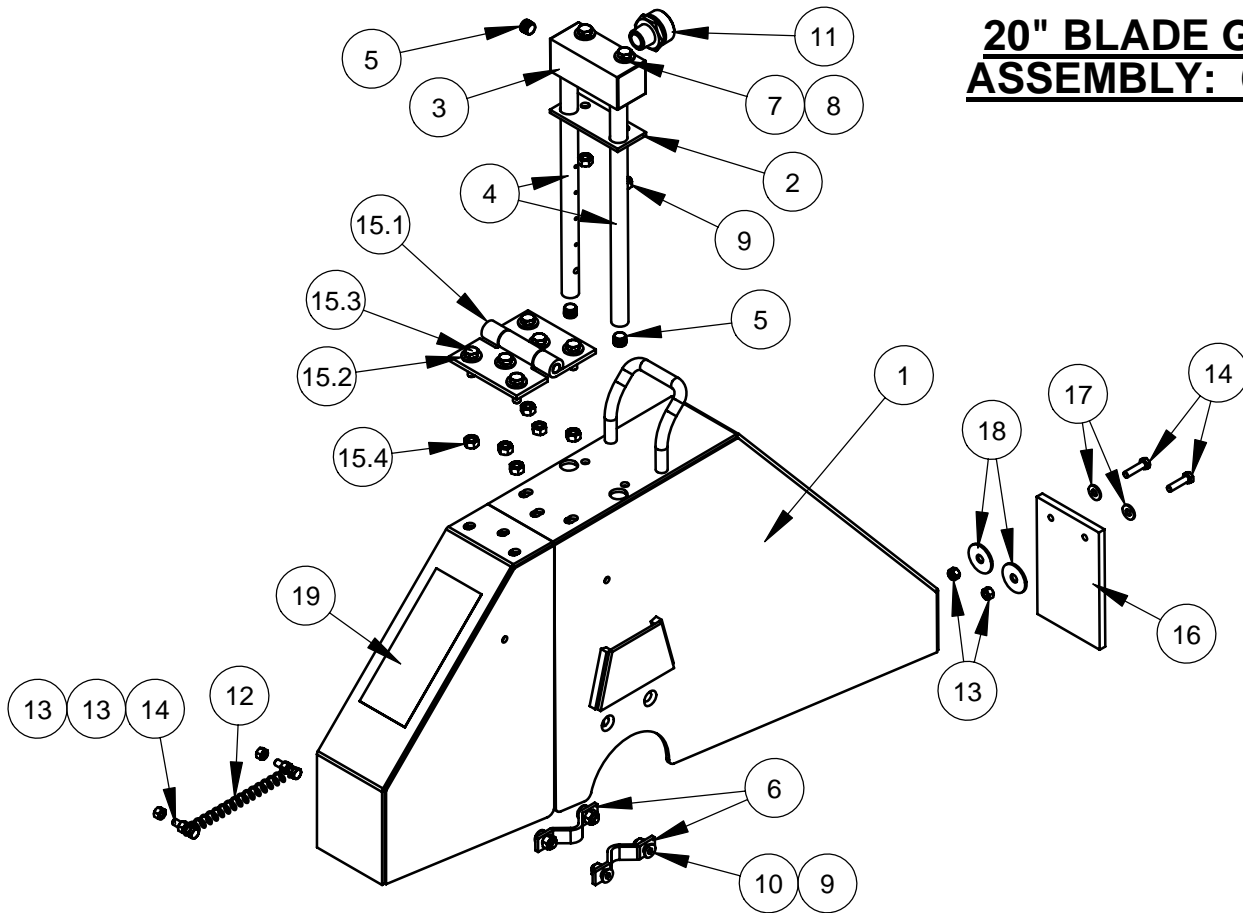
ITEM NO.	PART NUMBER	QTY.	DESCRIPTION
1	6048069	1	Pointer Bar - Straight
2	6048070	1	Pointer Bar - Offset
3	2500624	1	Wheel, 3"
4	2900018	1	Lock Nut, 3/8-16 Nylon
5	2900006	1	Lock Washer, 3/8" Split
6	2900033	1	Hex Nut, 3/8-16
7	2900032	1	Pointer Rod
8	2900304	2	Lock Nut, M10 Nylon
9	2900333	2	Cap Screw, Hex Hd., M10 x 25mm
10	6048078	1	Rope, 1/4 x 78"
11	3200221	3	Pinch Clamp, Two Ear

## 6048959, WEIGHT BAR OPTION



ITEM NO.	PART NUMBER	QTY.	DESCRIPTION
1	6048067	2	Saw Weight, 13 Pound
2	2900321	2	Lock Washer, M10 Split
3	2900334	2	Cap Screw, Hex Hd., M10 x 70mm

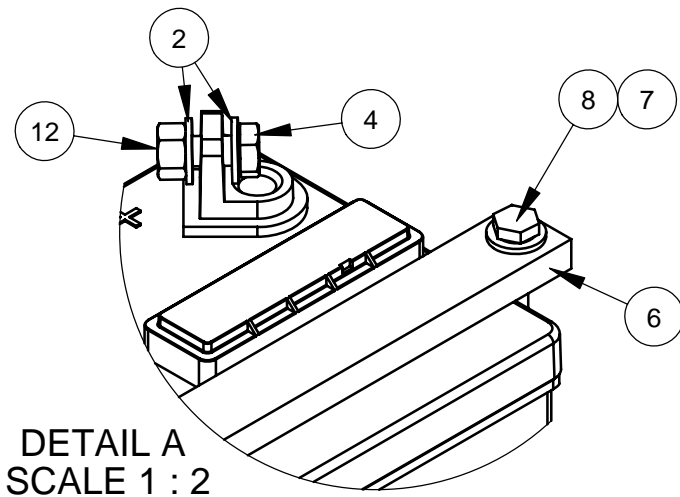
## 20" BLADE GUARD ASSEMBLY: 6048904



ITEM NO.	PART NUMBER	QTY.	DESCRIPTION
1	6048905	1	20" Blade Guard
2	2500829	1	Water Manifold Gasket
3	6048123	1	Water Manifold
4	6010085	2	Water Tube for 20" Guard
5	3200001	3	Plug, 1/8" NPT
6	6048155	2	Water Tube Clamp
7	2900009	2	Flat Washer, 1/4" SAE
8	2900244	2	Cap Screw, Hex Hd., M6 x 45mm
9	2900302	6	Lock Nut, M6 Nylon
10	2900308	4	Cap Screw, Flat Hd. Soc., M6 x 16mm
11	3200002	1	Fitting, 3/4" M. Pipe to 3/4" M. Garden
12	2500067	1	Spring, 3/8" x 4"
13	2900301	6	Lock Nut, M5 Nylon
14	2900309	4	Cap Screw, Hex Hd., M5 x 20mm
15	6048027	1	Hinge Assy., Metric Fasteners
15.1	2500270	1	Blade Guard Hinge
15.2	2900009	6	Flat Washer, 1/4" SAE
15.3	2900310	6	Cap Screw, Hex Hd., M6 x 20mm
15.4	2900302	6	Lock Nut, M6 Nylon
16	6048039	1	Splash Flap
17	2900016	2	Flat Washer, #10 USS
18	2900083	2	Fender Washer, 1/4" I.D. x 1-1/4" O.D.
19	1800001	1	Warning Label



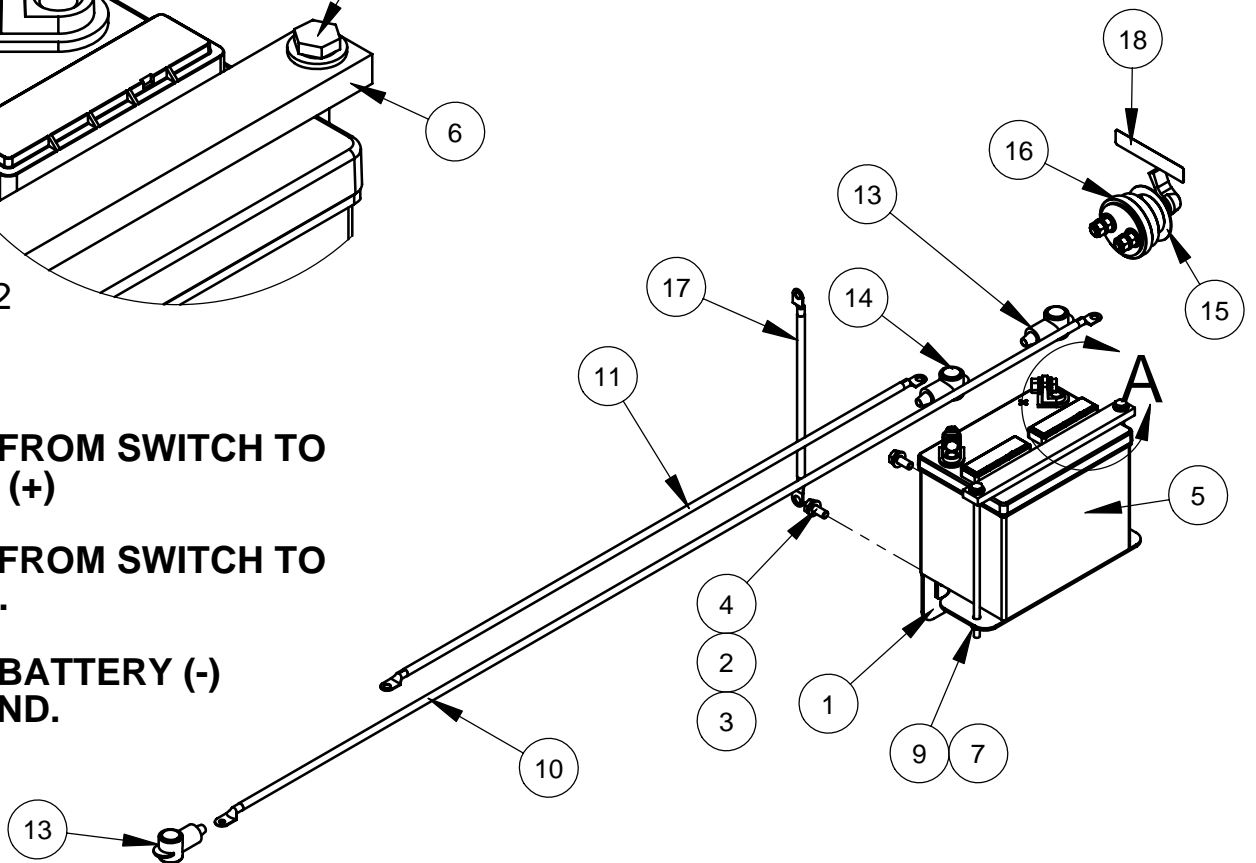
## **6048957:** **BATTERY OPTION**



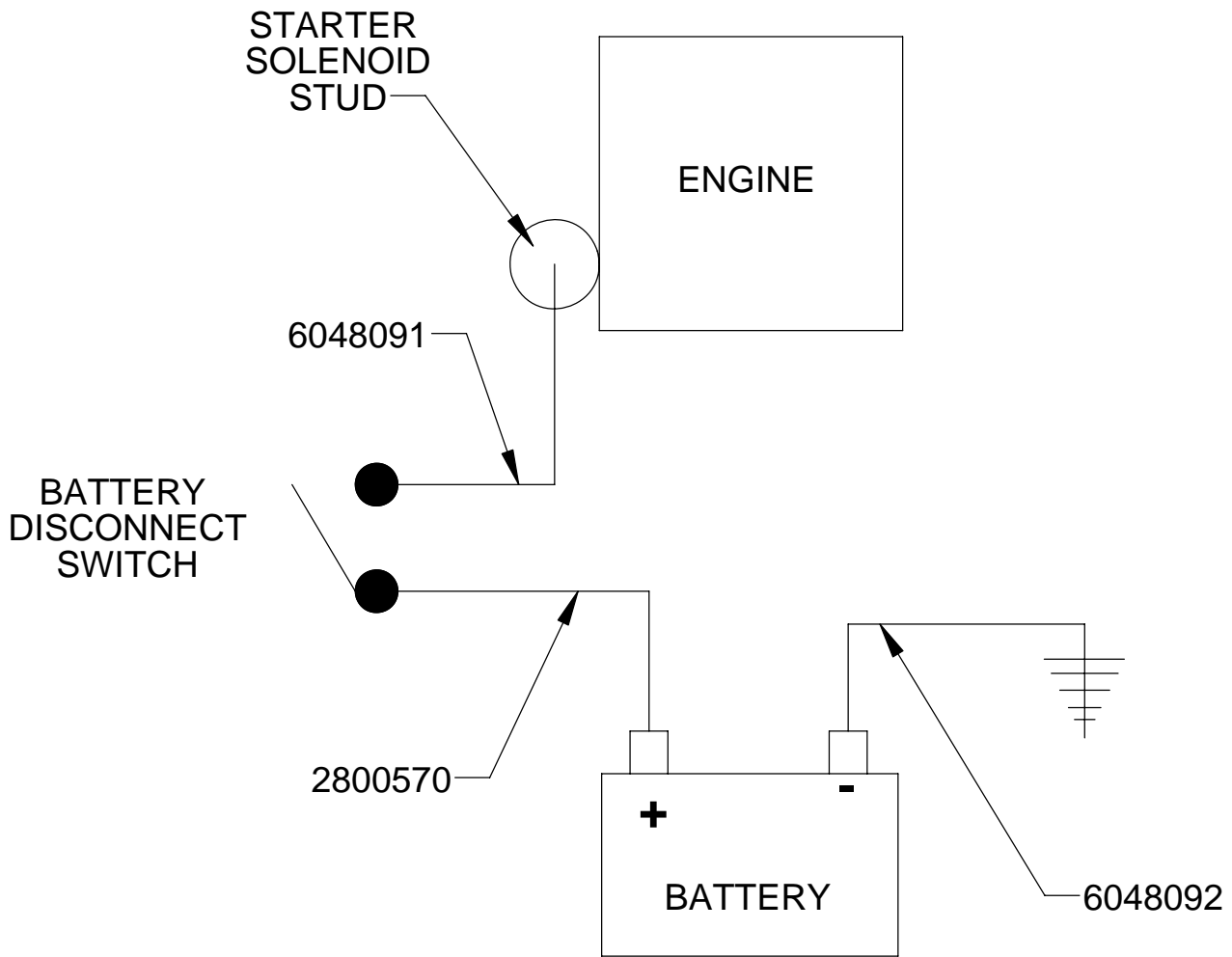
**ITEM 16: FROM SWITCH TO BATTERY (+)**

**ITEM 10: FROM SWITCH TO STARTER.**

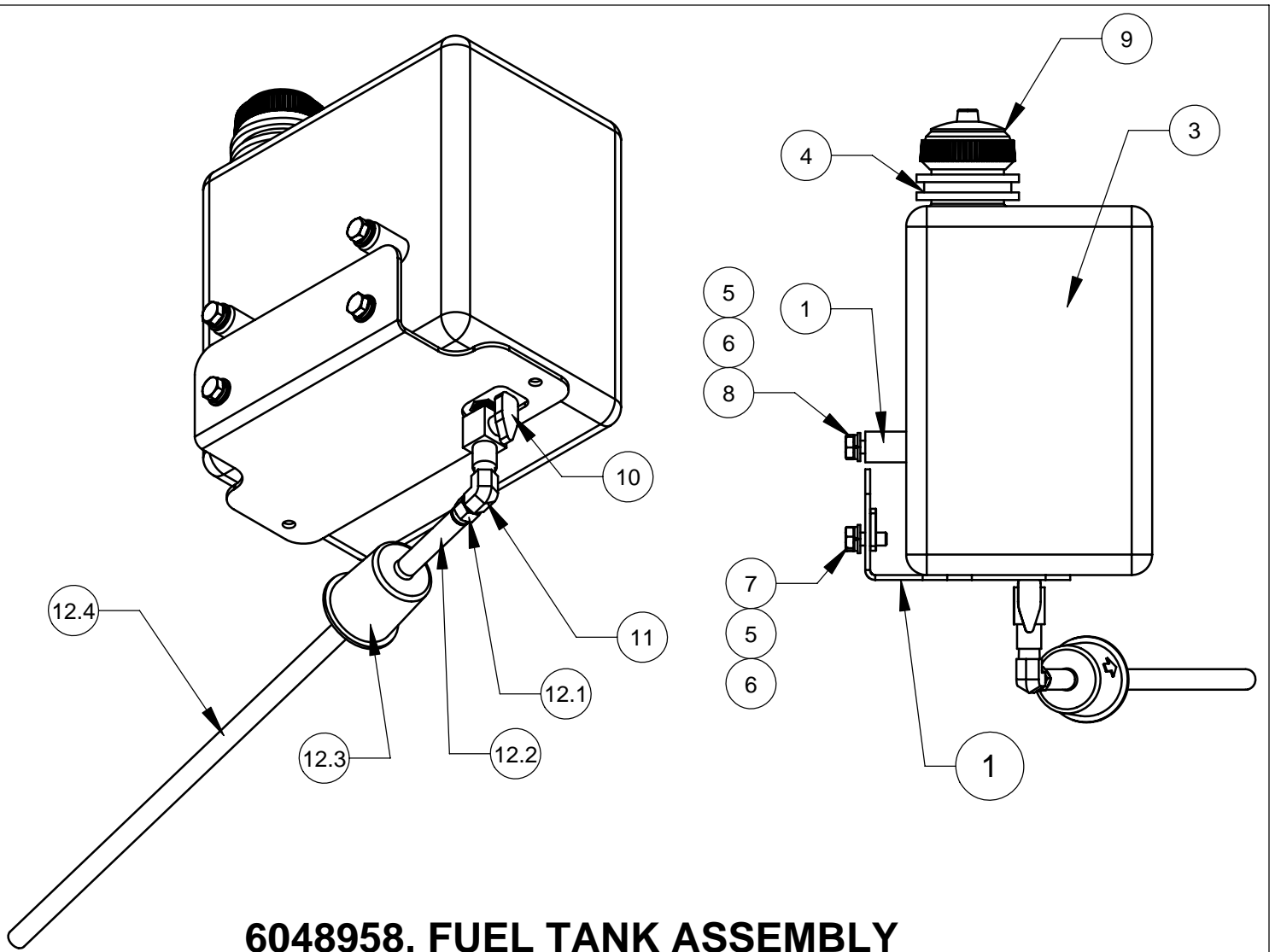
**ITEM 11: BATTERY (-) TO GROUND.**



ITEM NO.	PART NUMBER	QTY.	DESCRIPTION
1	6048327	1	Bracket
2	2900022	6	Flat Washer, 5/16" SAE
3	2900031	2	Lock Washer, 5/16" Split
4	2900329	4	Capscrew, Hex Hd., M8 x 20mm
5	2500584	1	Battery, 12 Volt Group Size U1
6	4646122	1	BatterySupport
7	2900009	4	Flat Washer, 1/4" SAE
8	2901405	2	1/4-20 x 7-1/2" Hex Hd., Cap Screw
9	2900010	2	Lock Nut, 1/4-20 Nylon
10	6048091	1	Battery Cable Assy., Red
11	6048092	1	Battery Cable Assy., Black
12	2900303	2	Lock Nut, M8 Nylon
13	2800197	2	Battery Boot, Small (Red)
14	2800198	1	Battery Boot, Small (Black)
15	2800566	1	Face Plate, Battery Disconnect
16	2800565	1	Battery Disconnect Switch
17	2800570	1	Battery Cable Assy., Red
18	1800846	1	Label, Battery Disconnect



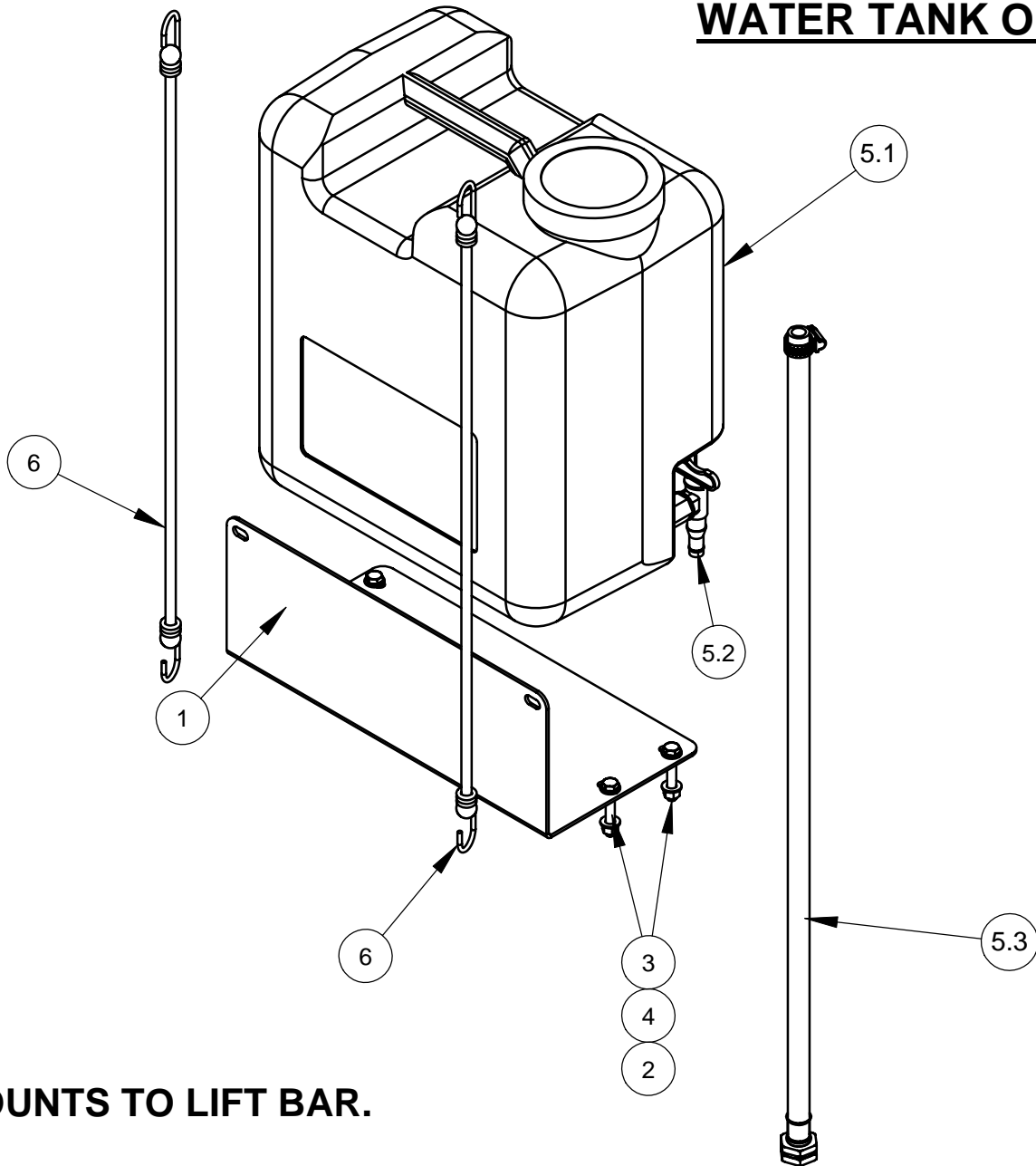
**6048957: BATTERY OPTION**



## **6048958, FUEL TANK ASSEMBLY**

ITEM NO.	QTY.	PART NUMBER	DESCRIPTION
1	1	6048327	Bracket
1	2	2900797	Standoff, 3/4 x 1"
3	1	2500628	Fuel Tank
4	1	2500623	Fuel Tank Grommet
5	4	2900022	Flat Washer, 5/16" SAE
6	4	2900031	Lock Washer, 5/16" Split
7	2	2900329	Capscrew, Hex Hd., M8 x 20mm
8	2	2900792	Cap Screw, Hex Hd., M8 x 40mm
9	1	2500622	Fuel Tank Cap w/Gauge
10	1	3200108	Fuel Shut-Off Valve, 1/4"
11	1	3200057	Elbow, 1/4" M. Pipe to 1/4" M. JIC
12	1	6070000	Fuel Filter Assy.
12.1	1	3200091	Fitting, 1/4" F. JIC to 1/4" Push Lock
12.2	1	6010461	Fuel Line, 1/4" x 2-1/2"
12.3	1	2500201	Filter, Gasoline Fuel
12.4	1	6040264	Fuel Line, 1/4" x 16"

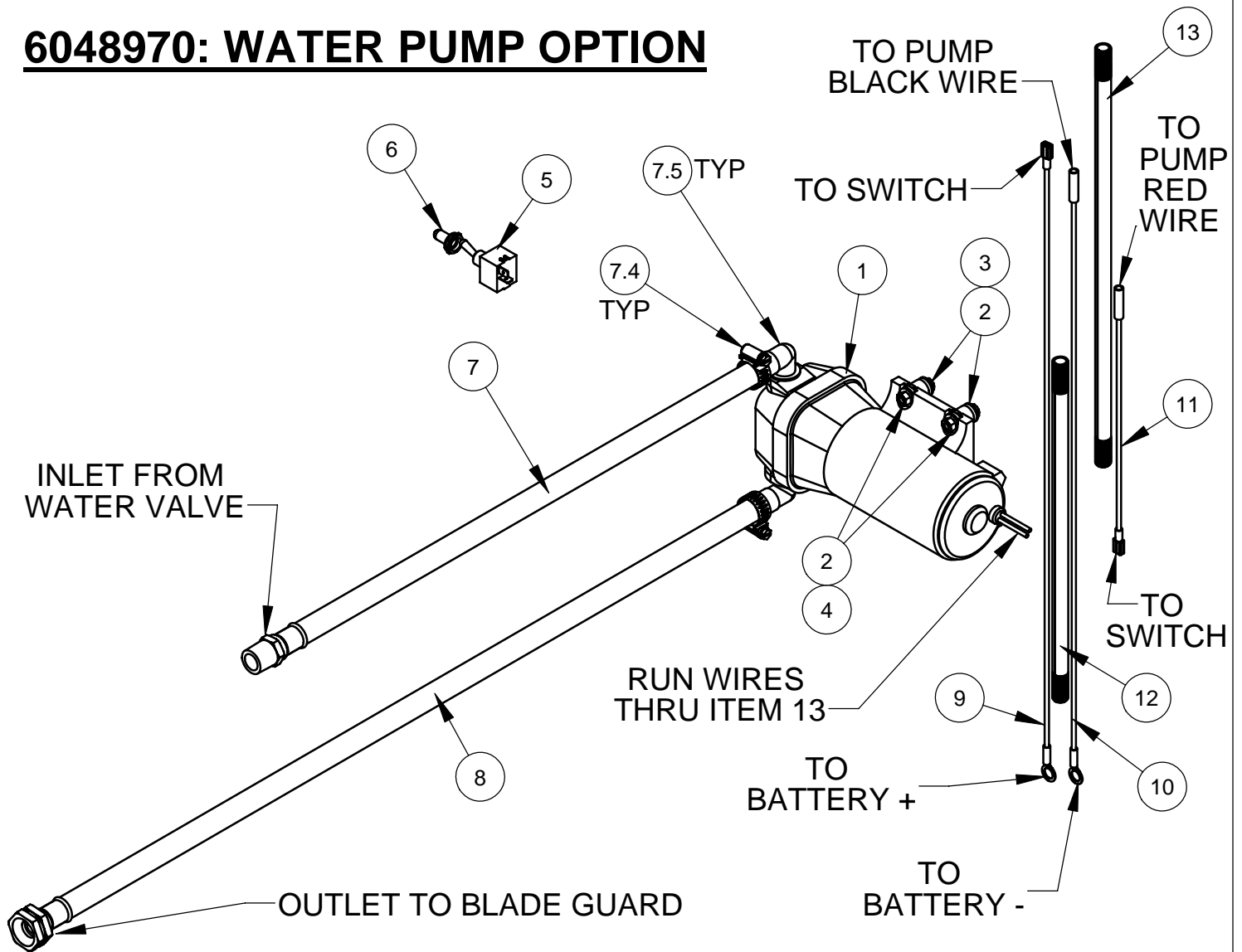
## 6049020 WATER TANK OPTION



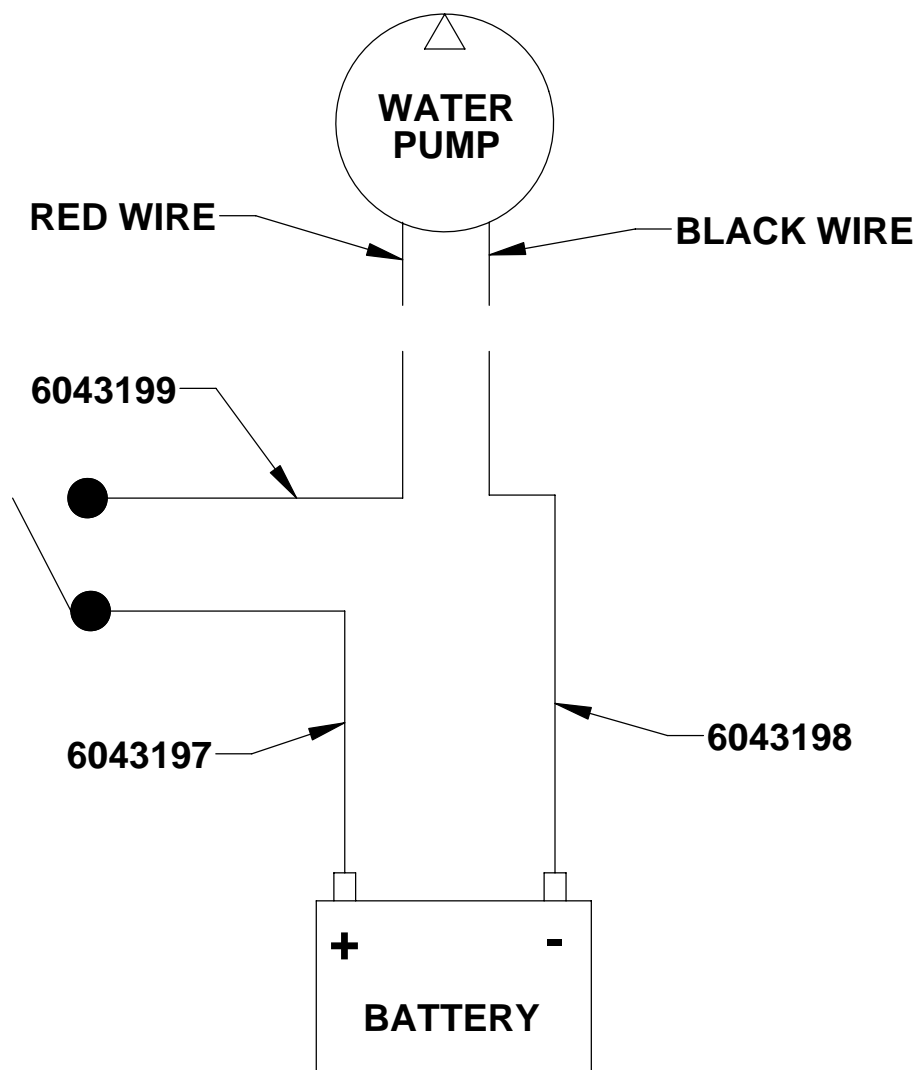
**MOUNTS TO LIFT BAR.**

ITEM NO.	PART NUMBER	QTY.	DESCRIPTION
1	6048631	1	Bracket, Water Tank
2	2900022	8	Flat Washer, 5/16" SAE
3	2900494	4	Cap Screw, Hex Hd., 5/16-18 x 2"
4	2900039	4	Lock Nut, 5/16-18 Nylon
5	6049019	1	Water Tank W/Hose Assy.
5.1	6048299	1	Water Tank Assy., 7-1/2 Gallon
5.2	2501261	1	Petcock
5.3	6048967	1	Hose Assy., 1/2 x 34-3/4", Water
6	2500586	2	Tiedown, Elastic, 28"

# 6048970: WATER PUMP OPTION



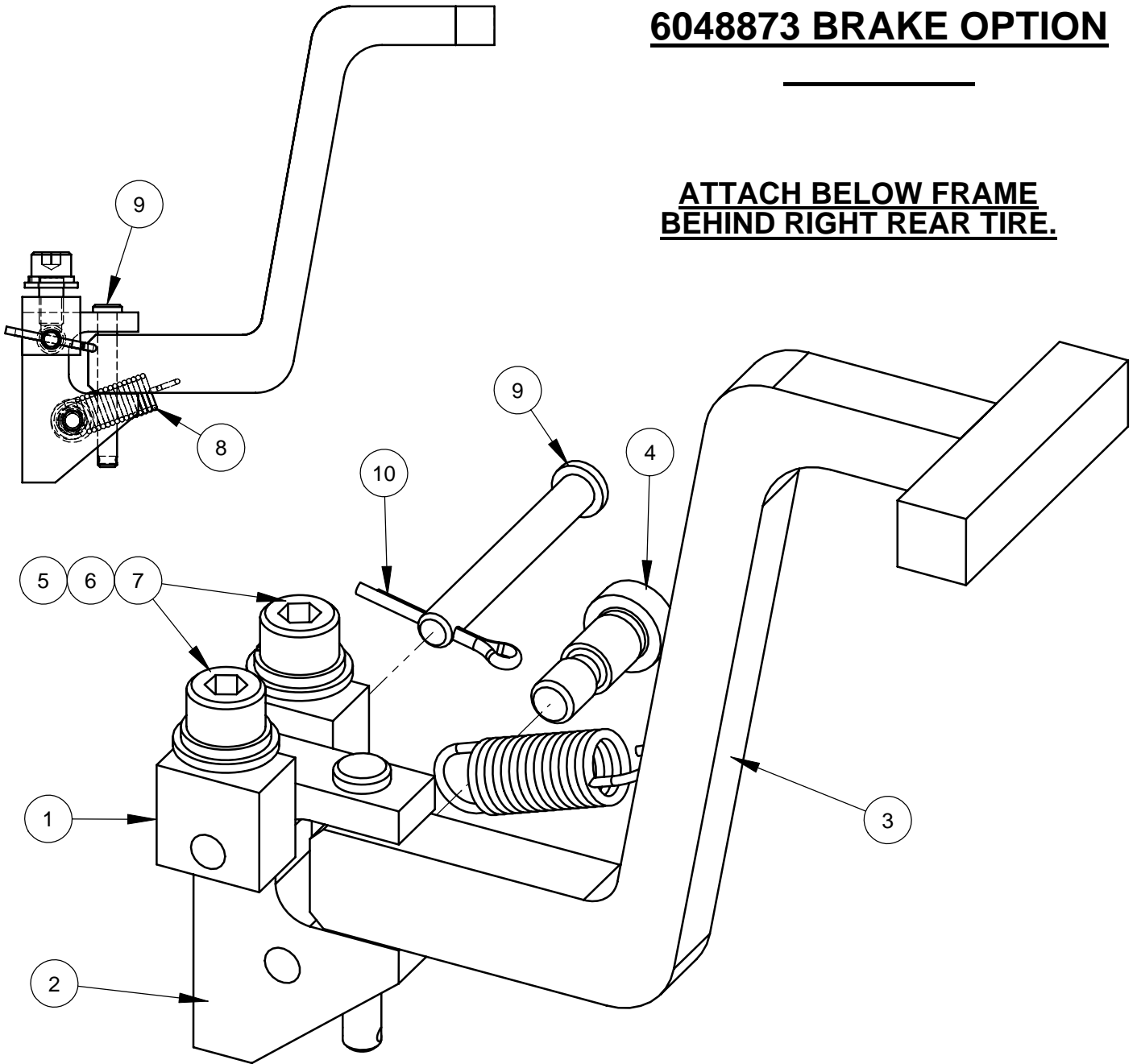
ITEM NO.	QTY.	PART NUMBER	DESCRIPTION
1	1	2600200	Water Pump, 12V Diaphragm
2	8	2900009	Flat Washer, 1/4" SAE
3	4	2900311	Cap Screw, Hex Hd., M6 x 25mm
4	4	2900302	Lock Nut, M6 Nylon
5	1	2800062	Toggle Switch On/Off
6	1	2800063	Switch Boot
7	1	6048965	Hose Assy., 1/2" x 23.67", Water
7.4	1	3200016	Hose Clamp #8
7.5	1	2701694	Port Fitting, 1/2" Barb x 90 Degree
8	1	6048966	Hose Assy., 1/2 x 33.85", Water
9	1	6043197	Wire Assy., 14 Ga., White
10	1	6043198	Wire Assy., 14 Ga., Black
11	1	6043199	Wire Assy., 14 Ga., Green
12	1	6043397	Wire Cover, 13"
13	1	6043398	Wire Cover, 16"



**6048970: WATER PUMP OPTION**

## 6048873 BRAKE OPTION

ATTACH BELOW FRAME  
BEHIND RIGHT REAR TIRE.



ITEM NO.	PART NUMBER	QTY.	DESCRIPTION
1	6048868	2	Clevis Plate
2	6048867	1	Plate, Brake Pivot
3	6048869	1	Brake Pedal Weldment
4	2900672	1	Shoulder Screw, 3/8" x 1/2" (5/16-18)
5	2900022	2	Flat Washer, 5/16" SAE
6	2900031	2	Lock Washer, 5/16" Split
7	2900267	2	Cap Screw, Soc. Hd., M8 x 16mm
8	2500068	1	Spring, .063 x .50 x 1.75
9	2901404	2	1/4 x 2.0" Clevis Pin
10	2900034	1	Cotter Pin, 3/32" x 3/4"