

# ***Operating Instructions***

---

**VCE2500D ★ ★ ★**

**INDEX 001**



## **Congratulations!**

You have decided to purchase a tried and tested TYROLIT-Hydrostress unit and have thus acquired a highly sophisticated and reliable state-of-the-art unit. The exclusive use of only TYROLIT Hydrostress spare parts ensures quality and interchangeability. If maintenance work is neglected or carried out inexpertly we will be unable to honour our warranty obligations. Any repair work must be carried out by trained personnel only.

Should you need more details concerning your TYROLIT Hydrostress unit in order to keep it in perfect condition, please contact our after-sales service for further information.

We hope that you enjoy untroubled and fault-free working with your TYROLIT unit.

TYROLIT Hydrostress

Copyright © TYROLIT Hydrostress

TYROLIT Hydrostress AG

Witzbergstrasse 18

CH-8330 Pfäffikon

Switzerland

Telefon 0041 (0) 44 952 18 18

Telefax 0041 (0) 44 952 18 00

# CE Konformitätserklärung



Typenschild hier aufkleben



## Staubabscheider VCE2500D ★★★

Wir erklären in alleiniger Verantwortung, dass dieses Produkt mit den folgenden Richtlinien und Normen übereinstimmt:

### Angewandte Richtlinie

Maschinen-Richtlinien 2006/42/EG  
EMV 2004/108/EG

### Angewandte Normen

EN 60335-1: 2002 + A14 / EN 60335-2-69: 2009  
EN 61000-6-3: 2007 / EN 61000-6-2: 2005

# CE Declaration of conformity

## Dust separator VCE2500D ★★★

We declare under our sole responsibility that this product complies with the following directives and standards:

### Directive applied

Machinery Directives 2006/42/EC  
EMV 2004/108/EG

### Applied standards

EN 60335-1: 2002 + A14 / EN 60335-2-69: 2009  
EN 61000-6-3: 2007 / EN 61000-6-2: 2005

# CE Déclaration de conformité

## Séparateur de poussière VCE2500D ★★★

Nous déclarons, sous notre seule responsabilité, que ce produit répond aux directives et normes suivantes:

### Directive appliquée

Directive relative aux machines 2006/42/CE  
EMV 2004/108/EG

### Normes appliquées

EN 60335-1: 2002 + A14 / EN 60335-2-69: 2009  
EN 61000-6-3: 2007 / EN 61000-6-2: 2005

# CE Dichiarazione di conformità CE

---

## Abbattitore delle polveri VCE2500D\*\*\*

Dichiariamo sotto la nostra completa responsabilità che il presente prodotto è conforme alle seguenti direttive e norme:

### Direttiva applicata

Direttiva Macchine 2006/42/CE  
EMV 2004/108/EG

### Norme applicate

EN 60335-1:2002 + A14 / EN 60335-2-69:2009

EN 61000-6-3:2007 / EN 61000-6-2:2005



# CE Declaración de conformidad CE

---

## Separador de polvo VCE2500D\*\*\*

Declaramos bajo propia responsabilidad que este producto cumple con las siguientes directivas y normas:

### Directiva aplicada

Directiva de Máquinas 2006/42/CE  
EMV 2004/108/EG

### Normas aplicadas

EN 60335-1:2002 + A14 / EN 60335-2-69:2009

EN 61000-6-3:2007 / EN 61000-6-2:2005

## TYROLIT Hydrostress AG

Witzbergstrasse 18  
CH-8330 Pfäffikon  
Switzerland

Pfäffikon, 19.07.2012

Pascal Schmid  
Leiter Entwicklung



<b>1</b>	<b>Introduction</b>	<b>1</b>
1.1	General Information .....	1
1.2	Responsibility .....	1
1.3	Manual .....	1
1.3.1	Safety instructions – Explanation of symbols .....	1
1.4	Transportation .....	2
1.5	On delivery .....	2
1.6	Unpacking .....	3
1.7	Machine name plate .....	3
1.8	Handling and storage .....	4
1.9	Noise .....	4
<b>2</b>	<b>Safety</b>	<b>5</b>
2.1	General Information .....	5
2.2	Warnings .....	5
2.3	Notes .....	6
<b>3</b>	<b>Machine description</b>	<b>8</b>
3.1	General machine description .....	8
3.2	Description of controls - Keypad .....	10
<b>4</b>	<b>Usage</b>	<b>11</b>
4.1	General Information .....	11
4.2	The positions for the dust extractor .....	11
4.2.1	The dust extractor's operating position .....	11
4.2.2	Lowering the dust extractor to the transport position .....	13
4.3	Lifting the machine .....	15
4.4	Handling Longopac .....	15
4.4.1	Removing the full waste bag .....	16
4.4.2	Fitting Longopac .....	17
4.5	Installing extra ventilation hose .....	21
4.6	Operation .....	22
4.6.1	Starting and stopping the dust extractor .....	22
4.6.2	Filter cleaning .....	23

<b>5</b>	<b>Maintenance and repairs</b>	<b>26</b>
5.1	General Information .....	26
5.2	Cleaning .....	26
5.3	Daily .....	26
5.3.1	Check the HEPA filter .....	26
5.3.2	Check the main filter .....	29
5.4	Every week .....	30
5.4.1	General inspection .....	30
5.5	Every month .....	31
5.5.1	Check the condition of the hoses. ....	31
5.6	Every six months (or 600 hours) .....	31
5.6.1	Check the fastening of the bolts .....	31
5.7	Every year .....	31
5.7.1	Replace the HEPA filter .....	31
5.7.2	Replace main filter .....	31
5.8	Repairs .....	32
5.9	Spare parts .....	32
<b>6</b>	<b>Faultfinding</b>	<b>33</b>
6.1	General Information .....	33
6.1.1	The dust extractor will not start .....	33
6.1.2	The dust extractor stops after starting .....	33
<b>7</b>	<b>Technical data</b>	<b>34</b>
<b>8</b>	<b>Environment</b>	<b>37</b>
<b>9</b>	<b>Warranty and CE marking</b>	<b>38</b>
9.1	Warranty .....	38
9.2	CE marking .....	38

# 1 Introduction

## 1.1 General Information

V[ TQNK"XEG4722F R'ku'c'f wuv'gz vtcevqt.'y j lej 'ku'dguv'wugf "vqi gj gt'y kj "J VE)u" i tkpf kpi "o cej kpgu'k"eqppgevkp'y kj "ft{ "i tkpf kpi "qh'uvqpg"cpf "eqpetgv'huqtu." cpf "k"ceeqtf cpeg'y kj "J VE)u'tgeqo o gpf cvkpu0XEG4722F R'ku'gs wkr r gf "y kj "c"o clp" huqt"cu'y gni'cu'c"J GRC/huqt0The dust sucked up is collected in a bag under the dust extractor.

Read the manual carefully so that you know how to use and maintain the dust extractor before using it. Contact your local retailer for further information. For contact information, see Contact Information at the start of the manual.

## 1.2 Responsibility

Even though every effort has been made to make this manual as complete and accurate as possible, we bear no responsibility for incorrect or missing information. Tyrolit Hydrostress® reserves the right to change descriptions in this manual without giving prior notice.

This manual is protected by the Copyright Act and no part of it may be copied or used in any other way without the written approval of Tyrolit Hydrostress®.

## 1.3 Manual

In addition to general functions, this manual contains information on areas of use and care of the dust extractor.

### 1.3.1 Safety instructions – Explanation of symbols

A number of symbols are used in the manual to highlight the most important sections, see below. It is important that you carefully read through the descriptions of the symbols in order to avoid the risk of both material damage and personal injury. There are other symbols indicating practical tips. These are to help you use the dust extractor in the easiest and most effective way.

The following symbols are used in the document to indicate where special attention is needed.



#### **Warning!**

This symbol means **Warning!** and indicates a risk of personal injury or material damage in the event of incorrect use of the dust extractor. When you see this symbol, read the accompanying text extra carefully, and do nothing you are not sure about. This is for your own and other users' safety and to avoid damage to the dust extractor.

**Note!**

This symbol means **Note!** and indicates a potential risk of material damage in the event of incorrect use of the dust extractor. When you see this symbol, read the accompanying text extra carefully, and do nothing you are not sure about. This is to avoid damage to the dust extractor.

**Tip!**

This symbol means **Tip!** and implies the inclusion of tips and advice on effective use of the machine or ways of reducing wear and tear to the dust extractor. When you see this symbol you should read the accompanying text to facilitate your work and prolong the service life of the dust extractor.

## 1.4 Transportation

Always ensure that the dust extractor is emptied of dust and other particles before it is transported, lifted or hoisted.

Always make sure that the dust extractor is securely anchored to its surroundings during transport to prevent it from moving. Make sure that the securing straps or other equipment used for anchoring during transport are tightened over non-moving parts, e.g. the dust extractor's chassis.

When lifting the machine, do so according to chapter Lifting the machine, page [15](#).

Do not transport the dust extractor on sloping surfaces, e.g. loading ramps, without securing it properly, for example with a winch. This is a safety measure in case the dust extractor starts to roll out of control. Also make sure that people (including the operator) in the vicinity are at a safe distance in order to prevent personal injury, in the event that the dust extractor starts to roll out of control.

When the dust extractor is to be hoisted, it must be securely anchored in the notches for secure lifting (position 4 Figure 3-2, page [9](#)), which are found on both of the chassis' long sides. To prevent the dust extractor from tipping, make sure to pull with equal force so the dust extractor doesn't twist and end up on its side.

The swivelling wheel must be pointing forwards in the direction of travel.

## 1.5 On delivery

The following items are included in the delivery. Contact your retailer if anything is missing.

- Dust extractor
- Manual disc



- Suction hose with couplings

## 1.6 Unpacking



### Warning!

Read carefully through the safety instructions and user manual before using the equipment.

- Check carefully to see if the packaging or the dust extractor has been damaged during delivery. If there is any sign of damage, contact your retailer and report it.
- Check that the delivery matches the order. If there are any discrepancies, contact your retailer.

## 1.7 Machine name plate

The machine name plate provides the following information. The model and serial number must be specified when ordering spare parts for the machine.

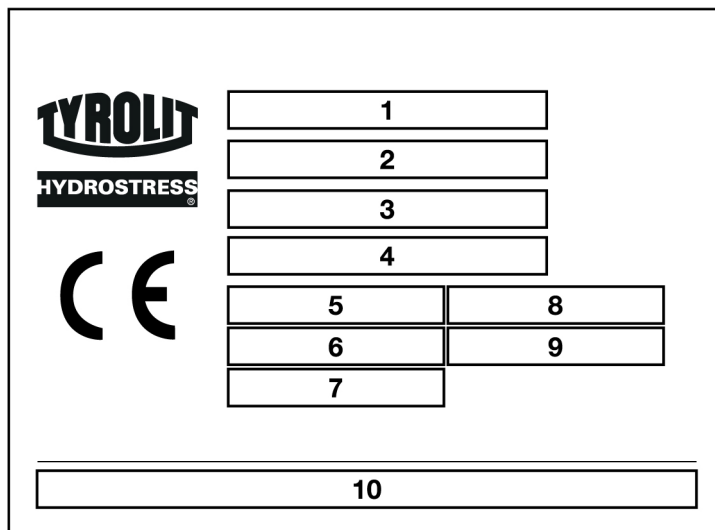


Figure 1-1. Machine name plate

1. Model
2. Model number
3. Serial number
4. Year of manufacture
5. Power (kW)
6. Voltage (V)
7. Current (A)
8. Frequency (Hz)
9. Weight (kg)
10. Address field

## 1.8 Handling and storage

The dust extractor should be stored in a heated, dry area when not in use. Otherwise it may be damaged by condensation and cold.

The dust extractor can be lowered to the transport position, which facilitates transport and maintenance work. Always ensure that the dust extractor is securely fastened to the handle (Figure 3-2, page 9, pos 3), e.g. with lifting straps, during high lifts. Make sure that all the constituent parts of the machine are properly assembled before lifting.



### **Warning!**

If handled carelessly, the dust extractor can overturn and cause both personal injury and damage to the equipment.

## 1.9 Noise



### **Warning!**

Always use hearing protection when using the dust extractor

This dust extractor is tested for noise in accordance with ISO 11202 and ISO 3741. For information on the sound pressure level and sound power level for each model, see the table in Chapter Technical data, page 34.

## 2 Safety

### 2.1 General Information

This chapter contains all the warnings and notes that have to be considered for the dust extractor.

### 2.2 Warnings

**Warning!**

Read carefully through the safety instructions and user manual before using the equipment.

**Warning!**

Always use hearing protection when using the dust extractor.

**Warning!**

The dust extractor may only be used or repaired by personnel who have received the requisite theoretical and practical training and who have read the user manual.

**Warning!**

Always use the dust extractor in an environment where there is no risk of explosion and fire. Familiarise yourself with and follow the relevant fire safety regulations when using the dust extractor.

**Warning!**

Use protective equipment such as safety shoes, safety goggles, protective gloves, breathing mask and hearing protection.

**Warning!**

During use, some surfaces on the dust extractor become very hot. Use protective gloves and let the dust extractor cool a little before you touch it.

**Warning!**

The dust that is sucked up is harmful if inhaled. Follow local regulations and use breathing protection.

**Warning!**

During maintenance and repairs, the power to the dust extractor must be disconnected.

**Warning!**

Do not rinse off the dust extractor, as moisture can penetrate to the electrical parts and damage the motors as well as causing an electrical shock.

**Warning!**

Do not rinse off the dust extractor, as moisture can penetrate into the HEPA filter and main filter.

**Warning!**

The dust extractor must always be placed on a horizontal surface during operation. There is a risk for crush injuries, if it should start to roll.

**Warning!**

Connect the dust extractor to an earth fault breaker.

**Warning!**

In the case of careless handling, the dust extractor can overturn and can cause both personal injury and damage to the equipment.

**Warning!**

There is a risk of crush injuries while lowering to the transport position. Use the lifting handles to avoid trapping your hands and fingers.

## 2.3 Notes

**Note!**

The dust extractor is best used together with grinding machines in connection with dry grinding of stone and concrete floors, and in accordance with recommendations.

**Note!**

Never use the dust extractor in connection with wet grinding or to suck up moisture and water, since this can cause blockages in the dust extractor's suction hose as well as damage to the main filter, HEPA filter and motors.

**Note!**

Only use original spare parts for the dust extractor. Otherwise, neither the CE marking nor the warranty will be valid.

**Note!**

For the CE marking to be valid, the instructions in this manual must be followed.

**Note!**

The dust extractor should be stored in a dry, warm (above zero) location when not in use.

**Note!**

If the dust extractor is stored in a cold location (below zero), it must be placed in a warm location (above zero) for at least two hours before use.

**Note!**

Discolouration on the top of the HEPA filter indicates that the main filter is not functioning as it should. If the HEPA filter is dirty on the underside, the filter is defective.

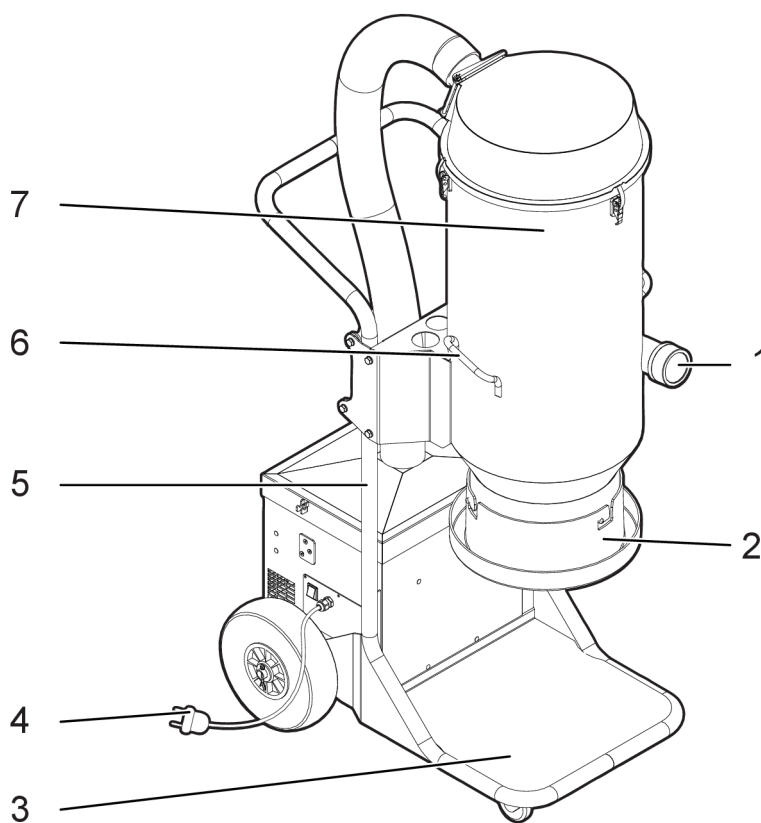
**Note!**

When checking the HEPA filter, the dust extractor must be placed in the operating position.

### 3 Machine description

#### 3.1 General machine description

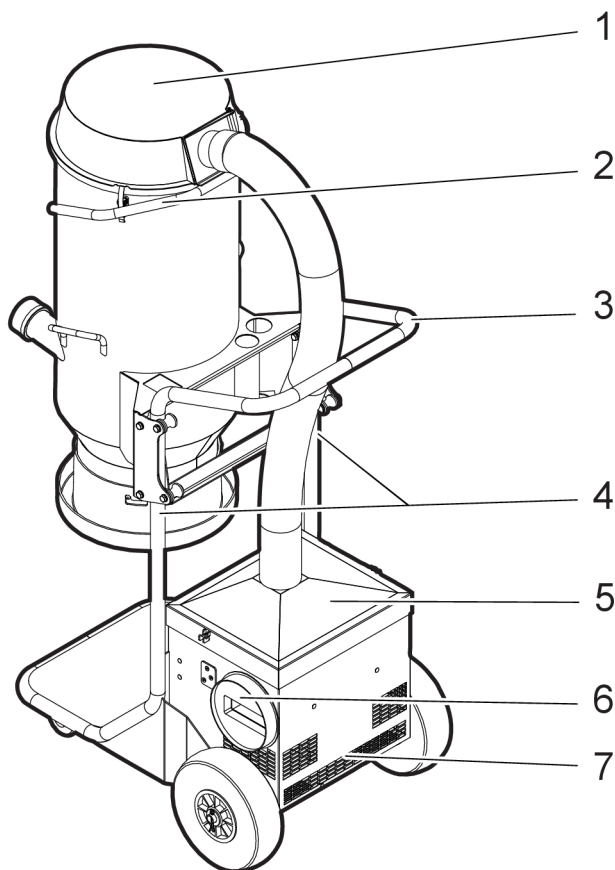
The VCE2500DP is constructed from a number of main components, such as chassis, electrical cabinet, etc, see Figure 3-1, page 8 and Figure 3-2, page 9. Several different designs are available, adapted for different markets. For model variants, see the table in Technical data, page 34. The dust that is vacuumed up is captured in a Longopac bag, which can be sealed when the desired quantity of dust has been reached.



G000531

Figure 3-1. The front of the dust extractor

1. Inlet, suction hose connection
2. Longopac holder
3. Collection plate for waste bag
4. Plug, electrical connection
5. Guides/Chassis
6. Lifting handles, adjustable height
7. Dust cylinder including main filter



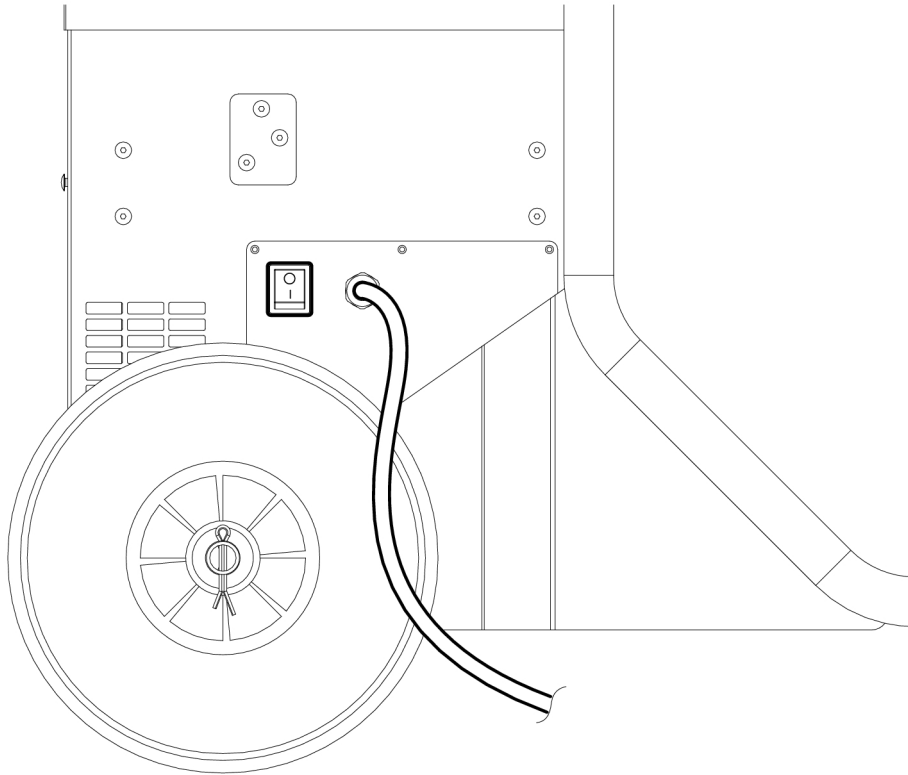
G000665

Figure 3-2. The back of the dust extractor

1. Top dust cylinder
2. Handle filter cleaning valve
3. Handle
4. Attachment point for lifting the machine
5. HEPA filter holder
6. Outlet, ventilation hose connection ( $\varnothing$  160 mm)
7. Motor package including HEPA filter

## 3.2 Description of controls - Keypad

The picture below shows the keypad for the dust extractor.



G000534

Figure 3-3. Keypad

- **I (ON)**- Start the dust extractor: Press the switch to position "I" to start the dust extractor.
- **O (OFF)**- Switch off the dust extractor: Press the switch to position "O" to switch off the dust extractor.



## 4 Usage

### 4.1 General Information

The following section describes the different positions for the dust extractor and how to change the waste bag (Longopac). The section also deals with the operation of the dust extractor.

**Warning!**

The dust extractor may only be used or repaired by personnel who have received the requisite theoretical and practical training and who have read the user manual.

**Warning!**

Use protective equipment such as safety shoes, safety goggles, protective gloves, breathing mask and hearing protection.

**Warning!**

The dust extractor must always be placed on a horizontal service during operation. There is a risk for crush injuries, if it should start to roll.

**Tip!**

Check the minimum recommended cable area before using an extension cord. You will find the recommended cable area under Technical data, page [34](#).

### 4.2 The positions for the dust extractor

The dust extractor can be placed in two positions; operating position and transport position, see Figure 4-3, page [13](#) and Figure 4-4, page [14](#).

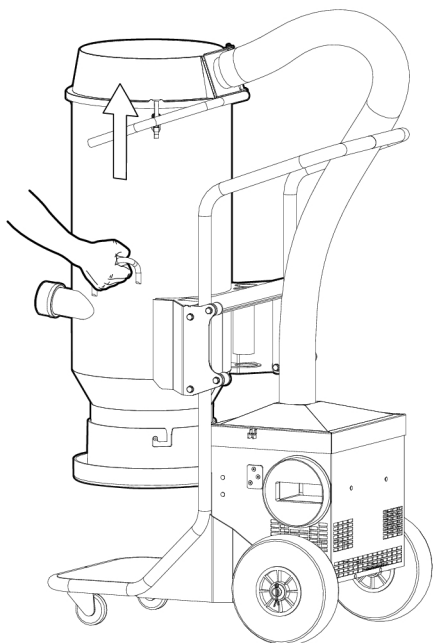
**Warning!**

If handled carelessly, the dust extractor can overturn and cause both personal injury and damage to the equipment.

#### 4.2.1 The dust extractor's operating position

When the dust extractor is in use, it must be in the operating position, see Figure 4-3, page [13](#).

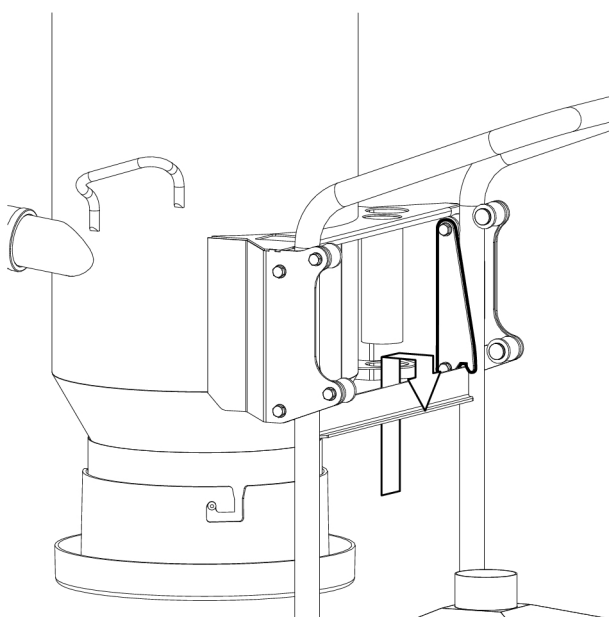
1. Raise the dust cylinder package from the transport position by lifting with the lifting handles, see Figure 3-1, page 8, according to Figure 4-1, page 12.



G000536

Figure 4-1. Raising the dust cylinder package

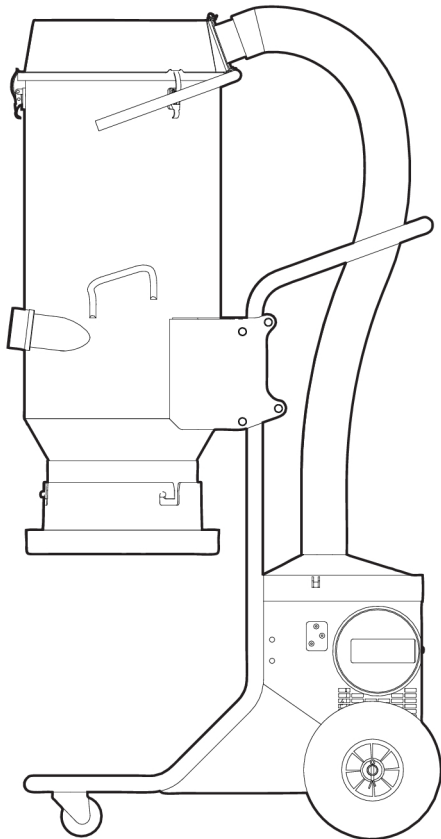
2. Lift until the catches Figure 4-2, page 12 fasten firmly in the top lug on the chassis for operating position.



G000533

Figure 4-2. Locking the dust cylinder package

3. Make sure that both catches are properly located in the lugs.



G000537

Figure 4-3. Operating position



**Warning!**

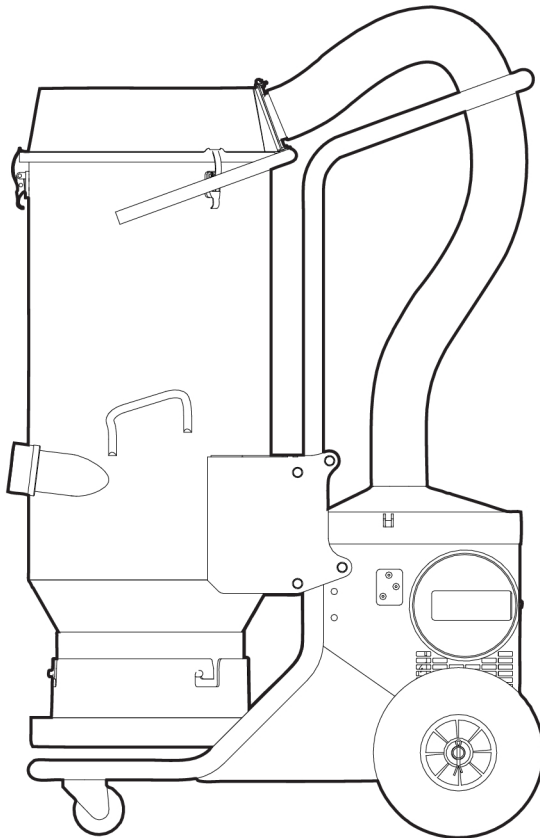
If the catches are not properly located in the lugs, there is a risk that the dust cylinder package can drop, with a consequential risk of crush injury.

#### 4.2.2 Lowering the dust extractor to the transport position

The dust extractor can be lowered to the transport position, see Figure 4-4, page 14.

When the dust extractor is in the operating position, and you want to lower it to the transport position, do as follows:

1. Lift the dust cylinder package with both hands, using the lifting handles, see Figure 3-1, page 8. To avoid the risk of the suction system tipping, place a foot on the collection plate for the waste bag.
2. Lift the dust cylinder package up and out a little, so the catches, see Figure 4-2, page 12, release. Then let the dust cylinder package drop slightly and fold in the dust cylinder package again, so the catches fasten in the lower lug on the chassis for transport position.



G000538

Figure 4-4. Transport position

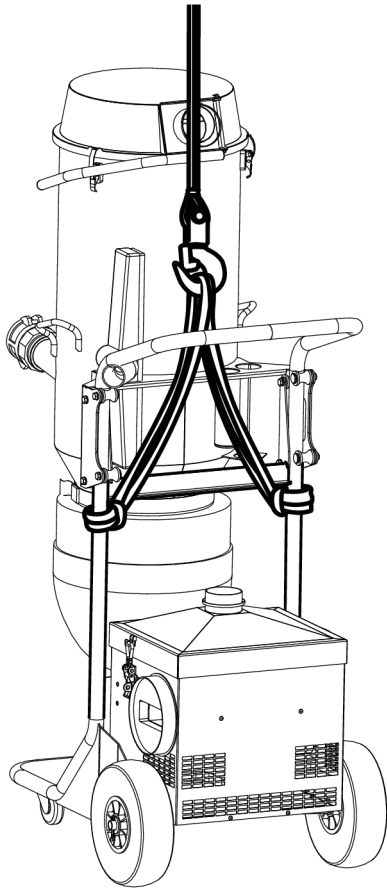


**Warning!**

There is a risk of crush injuries while lowering to the transport position. Use the lifting handles to avoid trapping your hands and fingers.

### 4.3 Lifting the machine

When lifting the dust extractor, lifting straps are used that are fastened in the notches on the chassis, see Figure 4-5, page 15. Only use straps approved for lifting equipment.



G000666

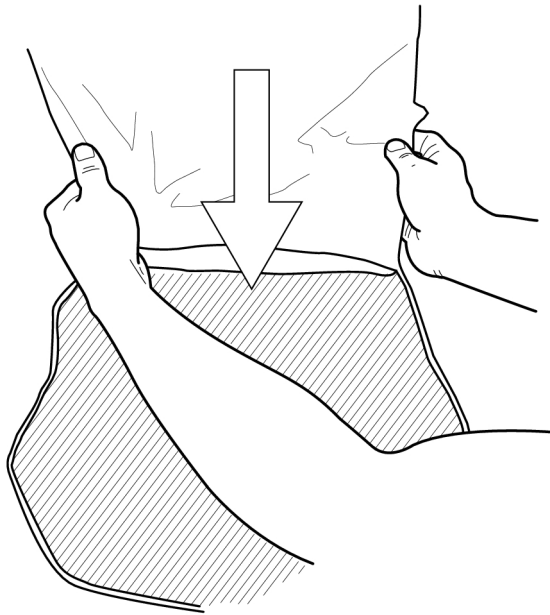
Figure 4-5. Lifting eye

### 4.4 Handling Longopac

The dust extractor is equipped with a sack system that makes it possible to minimise dust exposure when changing waste bags. This sack system can be ordered. Please contact Tyrolit Hydrostress®.

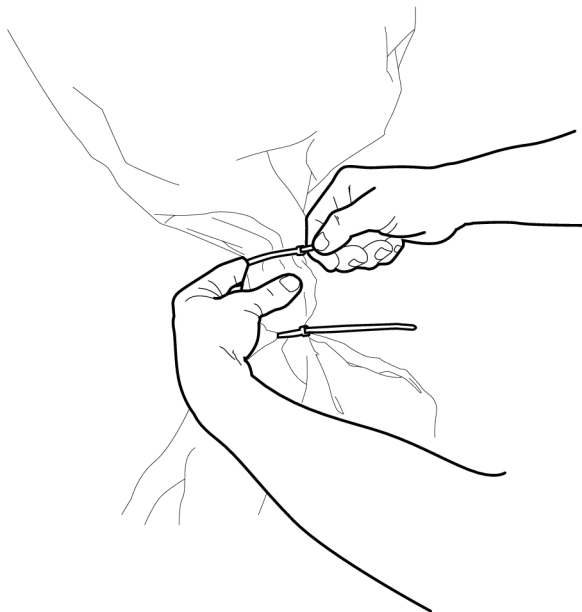
### 4.4.1 Removing the full waste bag

1.



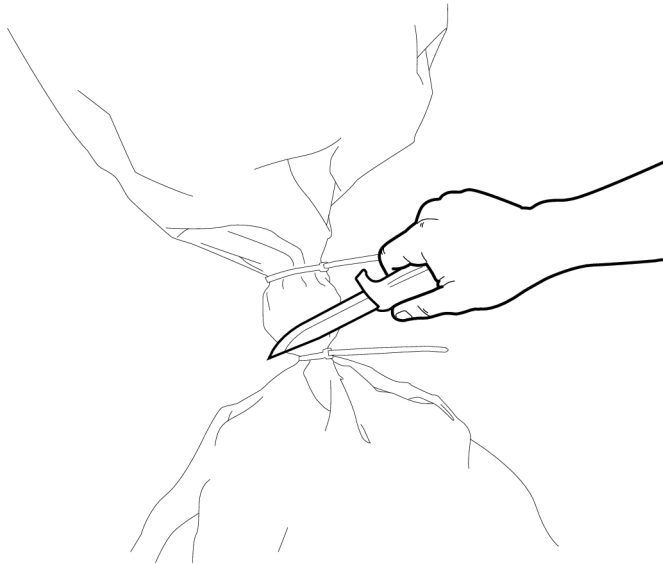
G000553

2.



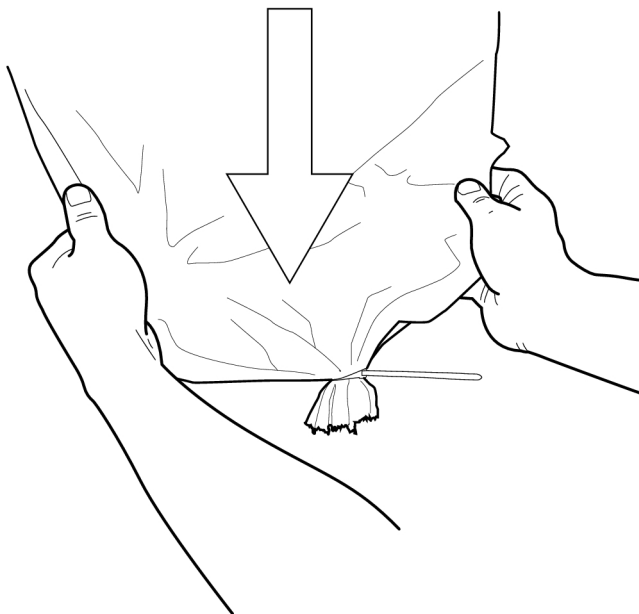
G000554

3.



G000555

4.



G000556

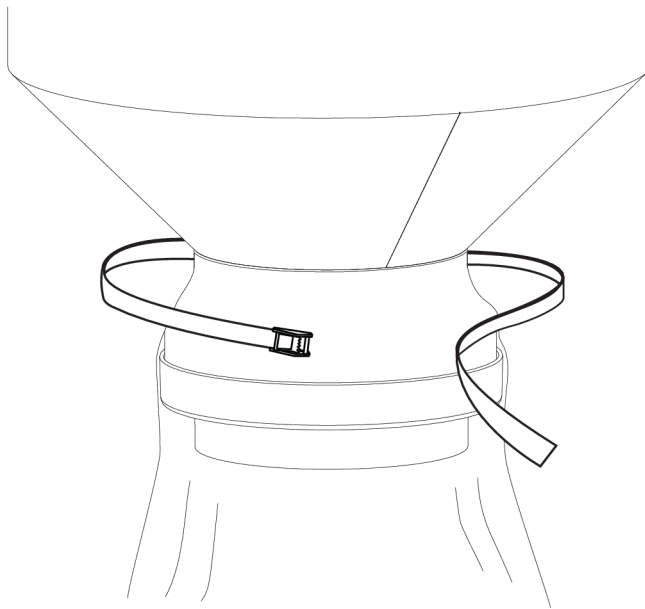
**Tip!**

Pull out a new length of empty Longopac down to the waste bag plate. This is to create the best conditions for the waste to fall into the waste bag.

#### 4.4.2 Fitting Longopac

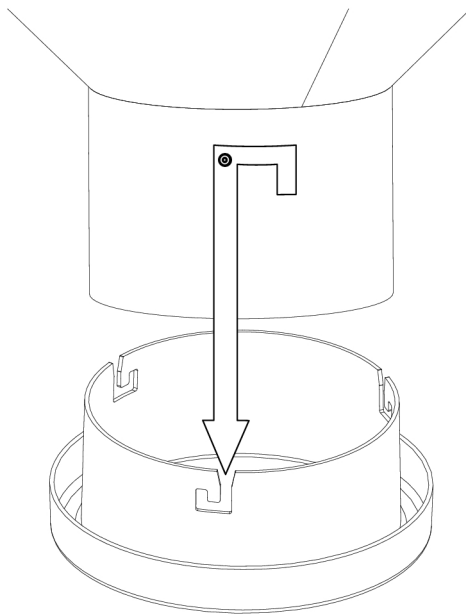
When fitting Longopac bags, it is recommended that the dust extractor be in the operating position, see Figure 4-3, page [13](#).

1.



G000557

2.



G000558

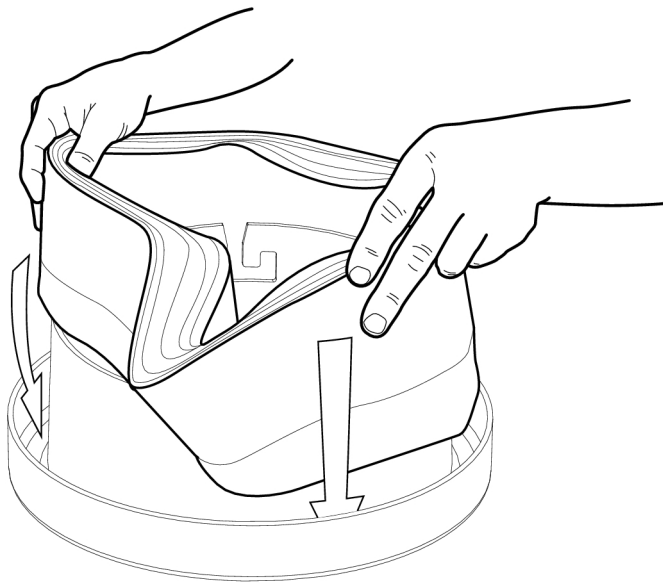


**Tip!**

The Longopac holder is attached by a bayonet fitting to the dust extractor.

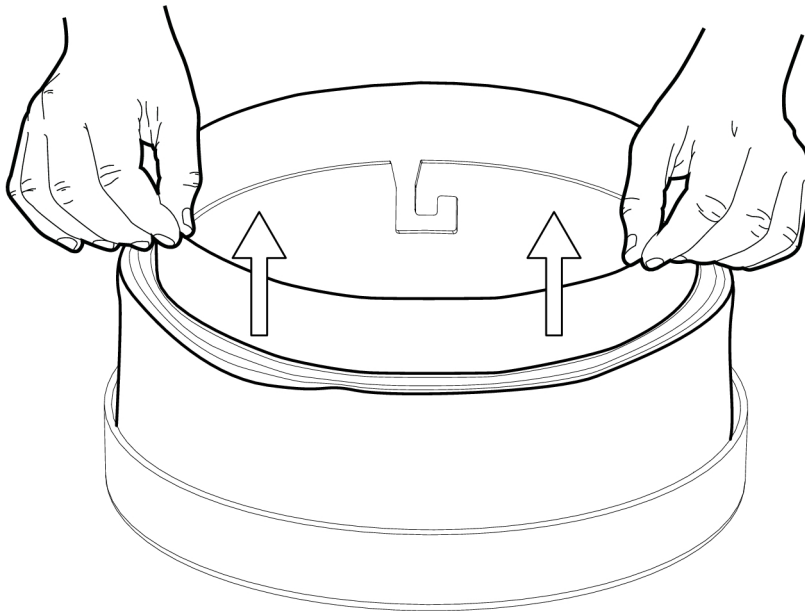


3.

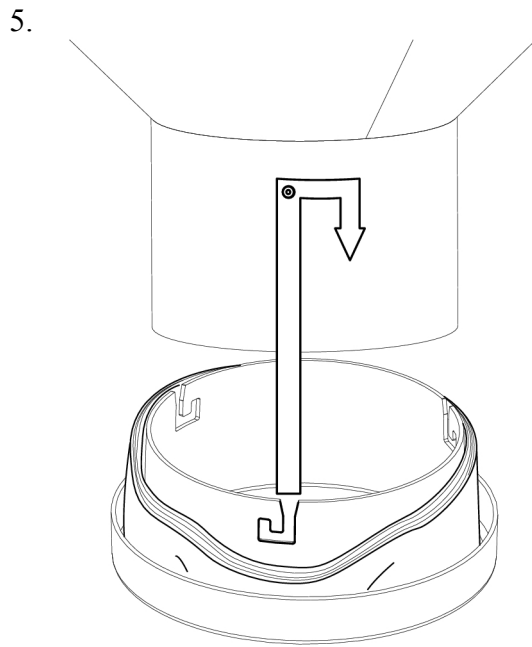


G000559

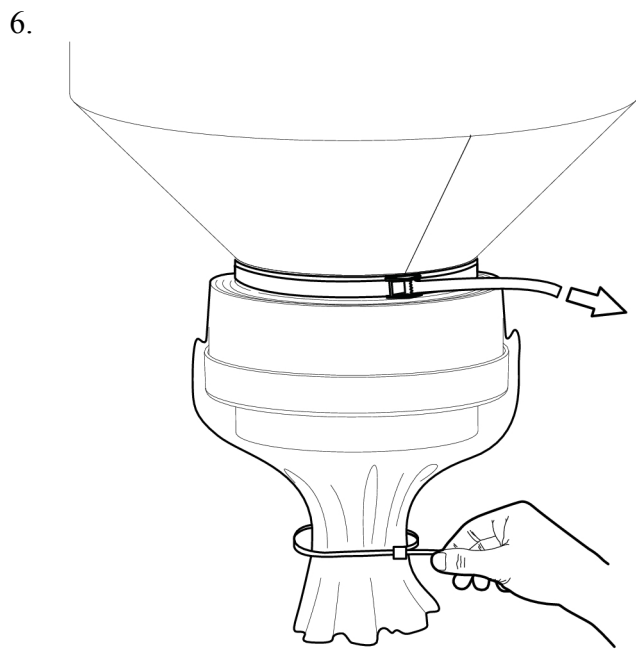
4.



G000560

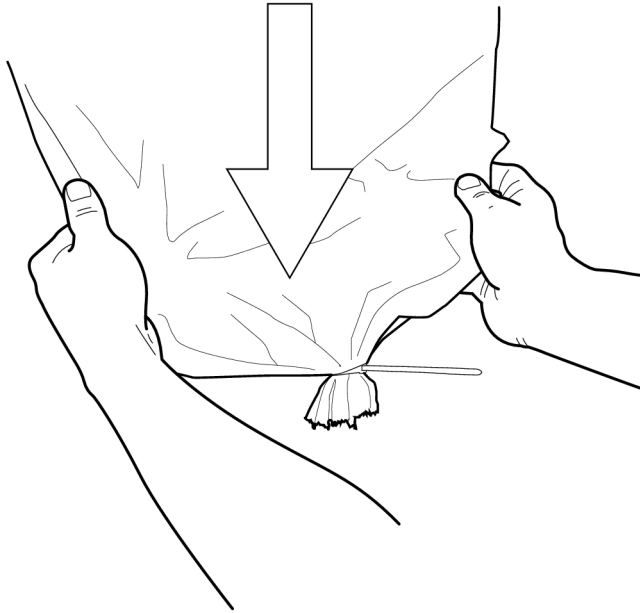


G000561



G000562

7.



G000563

**Tip!**

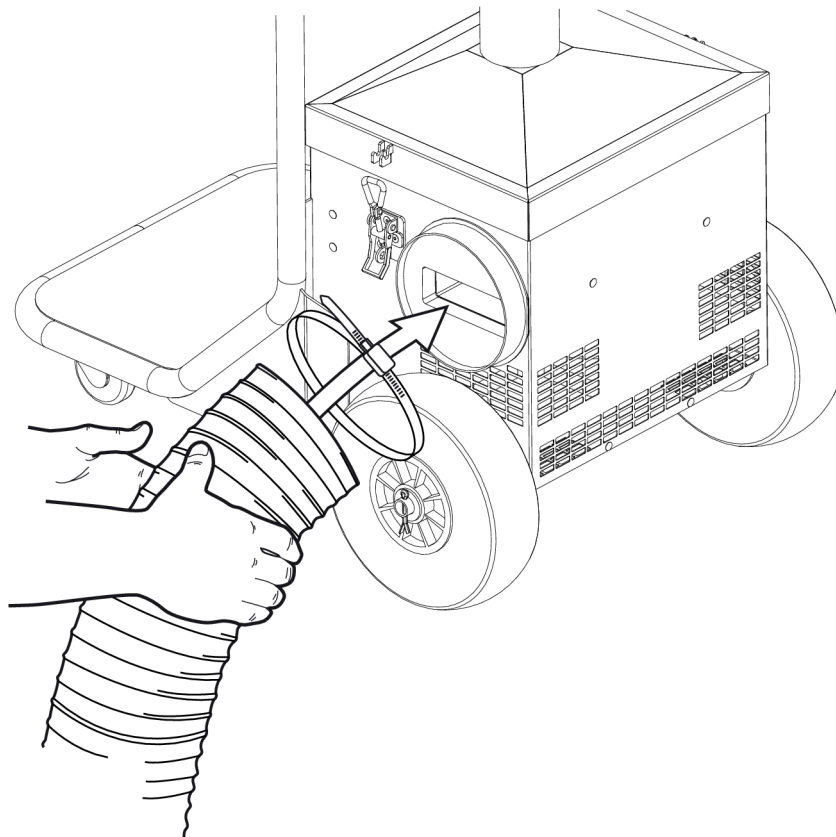
Pull out a new length of empty Longopac down to the waste bag plate. This is to create the best conditions for the waste to fall into the waste bag.

## 4.5 Installing extra ventilation hose

To improve the air while grinding, an extra ventilation hose can be installed on the dust extractor. This extra ventilation option should be used while grinding floors that give rise to toxic gases or if the room is very poorly ventilated.

**Tip!**

Only use the extra ventilation hose, which at the least must have  $\varnothing$  160 mm, when necessary, since the dust extractor's capacity is reduced when the hose is installed.



G000564

Figure 4-6. Installation of extra ventilation hose

**Note!**

Place the free end of the ventilation hose outdoors by pulling it through a window or a door.

## 4.6 Operation

### 4.6.1 Starting and stopping the dust extractor

1. Place the dust extractor where you want to start the vacuuming work.
2. Connect the dust extractor to the mains supply. Use suitable cables for the dust extractor.
3. Start the dust extractor by putting the switch into the position "I".

4. Switch off the dust extractor by putting the switch into the position "O".

#### 4.6.2 Filter cleaning

**Tip!**

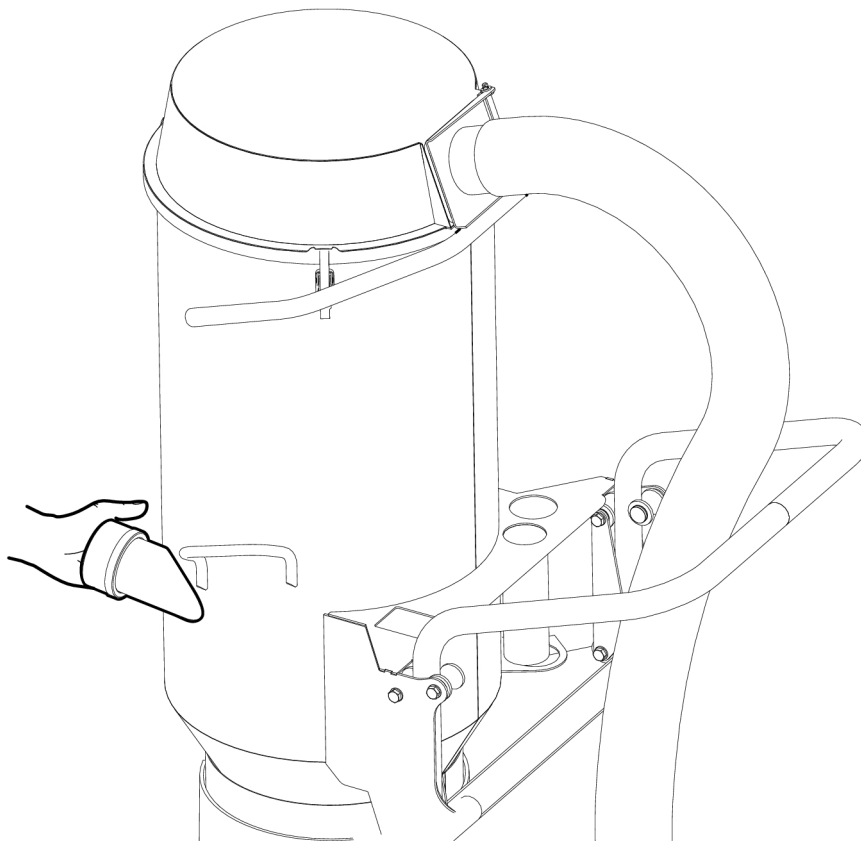
To ensure effective cleaning of the filter, all gaskets on the dust extractor should be checked to ensure that they are undamaged and that they seal tightly.

Filter cleaning means cleaning the filter manually when the dust extractor's capacity to take up dust reduces.

When cleaning the filter, the dust extractor must be switched on and in operation. Hold your hand over the inlet or place the hose against the floor to attain negative pressure in the dust cylinder package in order to obtain the most effective filter cleaning possible.

Clean the filter as follows:

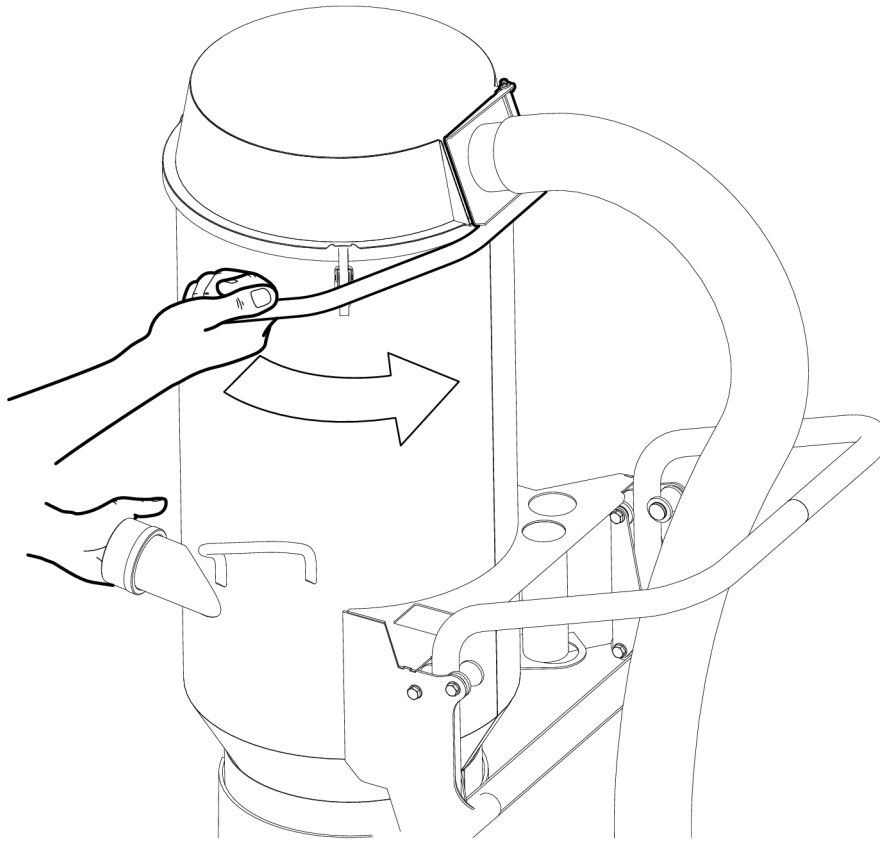
1. Place your hand over the inlet, see Figure 4-7, page 23. Wait a few seconds.



G000539

Figure 4-7. Filter cleaning step 1

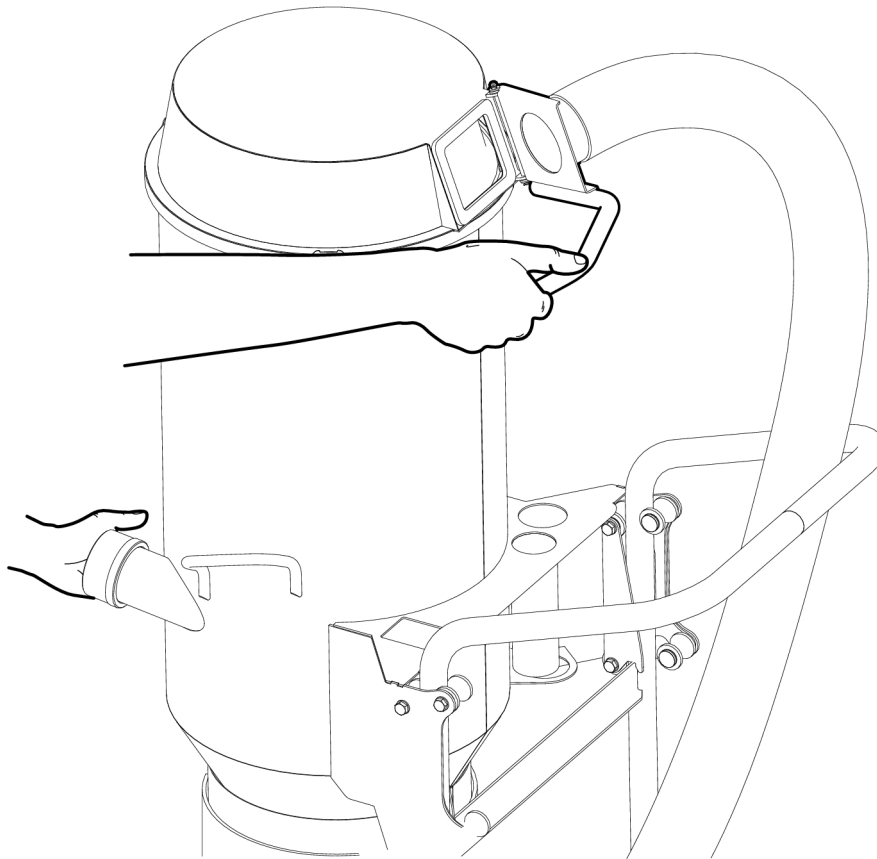
2. Grip the handle on the filter cleaning valve, see Figure 4-8, page 24.



G000540

Figure 4-8. Filter cleaning step 2

3. Pull the handle sharply, so the valve opens, see Figure 4-9, page 25.



G000541

*Figure 4-9. Filter cleaning step 3*

4. Hold the handle in position as in Figure 4-9, page 25, so the filter valve is open for a few seconds and the dust drops into the bag.

Repeat the above procedure until the suction regains the desired capacity.

## 5 Maintenance and repairs

### 5.1 General Information

We recommend regular inspection of the dust extractor.



**Warning!**

During maintenance and repairs, the power to the dust extractor must be disconnected.



**Warning!**

Use protective equipment such as safety shoes, safety goggles, protective gloves, breathing mask and hearing protection.

### 5.2 Cleaning



**Warning!**

Do not rinse off the dust extractor, as moisture can penetrate to the electrical parts and damage the motors as well as causing an electrical shock.

- Always clean the dust extractor after use by vacuum cleaning it or wiping it down with a damp sponge or cloth.

### 5.3 Daily

#### 5.3.1 Check the HEPA filter



**Note!**

When checking the HEPA filter, the dust extractor must be placed in the operating position.

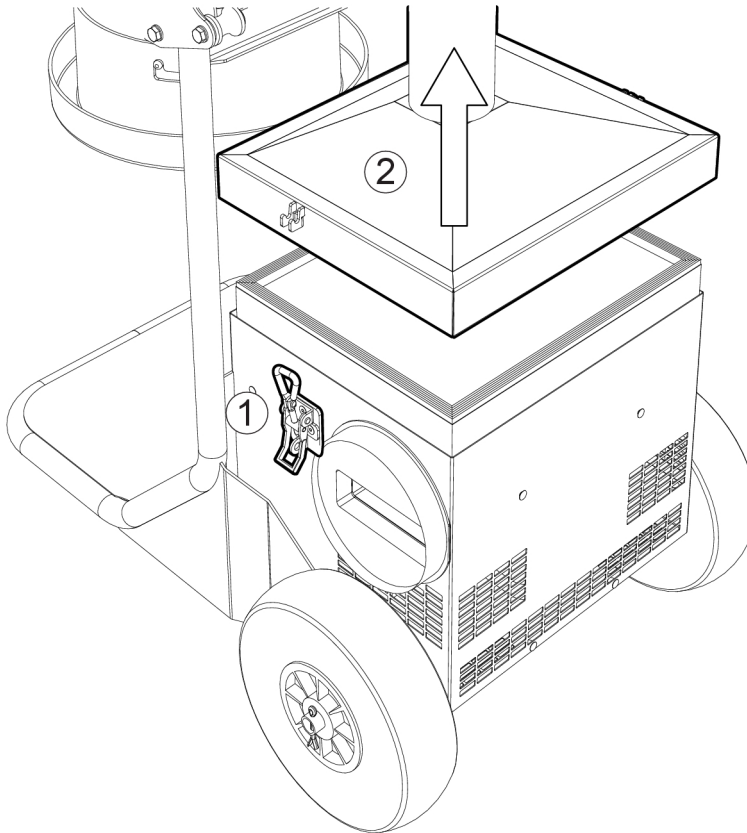


**Warning!**

The dust that is sucked up is harmful if inhaled. Follow local regulations and use breathing protection.



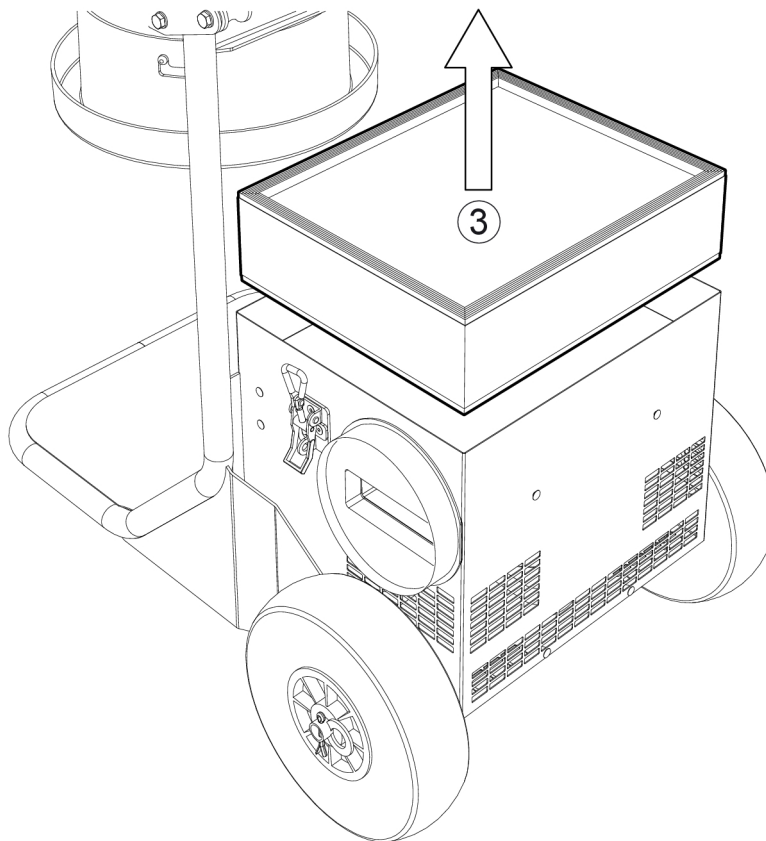
1. Undo the two quick fasteners (1) that hold the HEPA filter in place, see Figure 5-1, page 27.
2. Lift the HEPA filter holder (2) out of the way, see Figure 5-1, page 27. Let the HEPA filter holder and the hose hang freely.



G000543

Figure 5-1. Removing the HEPA filter holder

3. Lift out the HEPA filter (3), see Figure 5-2, page 28.



G000544

Figure 5-2. Removing the HEPA filter

4. Note how the HEPA filter is placed in the dust extractor.

**Tip!**

An arrow on the HEPA filter indicates the correct orientation for installing the filter in the dust extractor so as to attain the flow in the right direction through the filter. The arrow must point downwards, as this is the direction of flow for the dust extractor.

5. Check whether the filter is dirty, discoloured or damaged.
6. If the filter is dirty, discoloured or damaged, it needs replacing. In this case, go to [Replace the HEPA filter, page 31](#) for further instructions. Otherwise, the filter should be fitted back in place.
7. Check the gaskets on the HEPA filter. If the gaskets are damaged, the filter must be changed.

### 5.3.2 Check the main filter

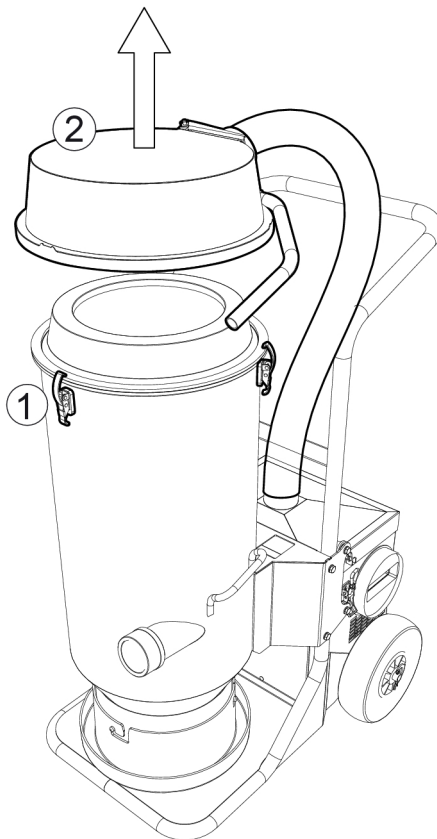
**Warning!**

In the case of careless handling, the dust extractor can overturn and can cause both personal injury and damage to the equipment.

**Warning!**

The dust that is sucked up is harmful if inhaled. Follow local regulations and use breathing protection.

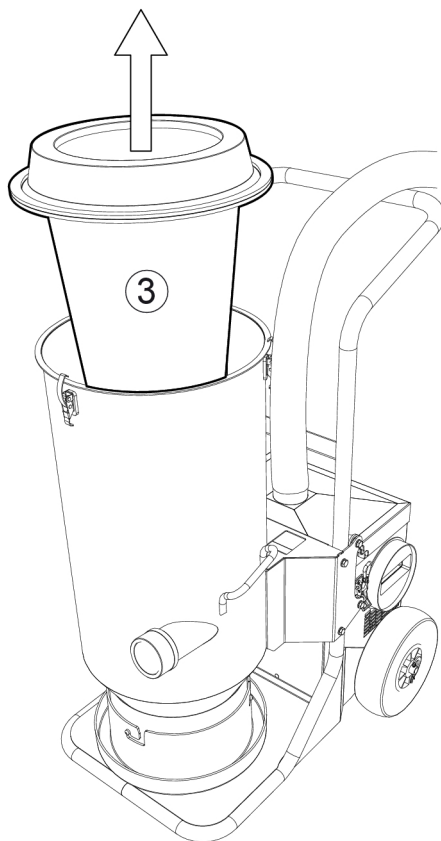
1. Start with the dust extractor in the transport position, see Figure 4-4, page 14.
2. Release the catches (1) that hold the top in place, see Figure 5-3, page 29.
3. Then lift off the top of the dust cylinder (2), see Figure 5-3, page 29.



G000545

Figure 5-3. Removing the dust cylinder's top

- Carefully lift up the main filter (3), see Figure 5-4, page 30.



G000546

Figure 5-4. Removing the main filter

- If the filter is clogged, the filter should be cleaned. For instructions on how to clean the filter, see under Filter cleaning, page 23.
- If the filter is torn or defective, it should be replaced. In this case, go to Replace main filter, page 31 for further instructions. Otherwise, the filter should be fitted back in place.

## 5.4 Every week

### 5.4.1 General inspection

Carry out a general inspection to make sure everything is clean and undamaged. Clean, if necessary.

- Check that the gaskets are undamaged and clean.
- Lift out the filter and check that it is undamaged and clean.

- Lift out the HEPA filter, to check the motor package, pos. 6 in Figure 3-2, page 9. Clean, if there is any dust.

## 5.5 Every month

### 5.5.1 Check the condition of the hoses.

- Make sure that the hoses are undamaged and free from persistent dirt. Replace the hoses, if necessary.

## 5.6 Every six months (or 600 hours)

### 5.6.1 Check the fastening of the bolts

- Check the fastening of all bolts and screws. Tighten if required.

## 5.7 Every year

### 5.7.1 Replace the HEPA filter



#### **Warning!**

The dust that is sucked up is harmful if inhaled. Follow local regulations and use breathing protection.

The HEPA filter must be replaced annually. However, if the daily inspection of the HEPA filter shows that the filter should be replaced, follow the instructions in section Check the HEPA filter, page 26.

1. Discard the defective filter.
2. Install the new HEPA filter. Take care to install it centrally in the HEPA filter holder. An arrow on the HEPA filter indicates the correct orientation for installing the filter in the dust extractor so as to attain the flow in the right direction through the filter. The arrow must point downwards, as this is the direction of flow for the dust extractor.
3. Secure the HEPA filter with the HEPA filter holder and both quick fasteners.

### 5.7.2 Replace main filter



#### **Warning!**

The dust that is sucked up is harmful if inhaled. Follow local regulations and use breathing protection.

The main filter must be replaced annually. However, if the daily inspection of the main filter shows that the filter should be replaced, follow the instructions in section Check the main filter, page 29.

Check for damage to the HEPA filter, which may have occurred if dust has leaked out of the main filter. For inspection of the HEPA filter, see section Check the HEPA filter, page 26.

## 5.8 Repairs

Any repairs that may be required must be carried out by a Tyrolit HYDROSTRESS® Service Centre that has trained service personnel and uses Tyrolit HYDROSTRESS® original parts and accessories. Contact your retailer if your machine requires servicing. For contact information, see Contact Information at the start of the manual.

## 5.9 Spare parts

To ensure rapid delivery of spare parts, always specify the model, the machine's serial number and the spare part number when ordering. Information on the model and serial number can be found on the machine's name plate.

Only original tools and original spare parts from Tyrolit HYDROSTRESS® may be used. Otherwise neither the CE marking nor the warranty will be valid.

**Warning!**

Do not rinse off the dust extractor, as moisture can penetrate to the electrical parts and damage the motors as well as causing an electrical shock.

**Warning!**

Do not rinse off the dust extractor, as moisture can penetrate into the HEPA filter and main filter.

**Warning!**

The dust extractor must always be placed on a horizontal surface during operation. There is a risk for crush injuries, if it should start to roll.

**Warning!**

Connect the dust extractor to an earth fault breaker.

**Warning!**

In the case of careless handling, the dust extractor can overturn and can cause both personal injury and damage to the equipment.

**Warning!**

There is a risk of crush injuries while lowering to the transport position. Use the lifting handles to avoid trapping your hands and fingers.

## 2.3 Notes

**Note!**

The dust extractor is best used together with V{tqrk}J [ FTQUVTGUÏ grinding machines in connection with dry grinding of stone and concrete floors, and in accordance with V{tqrk}J [ FTQUVTGUÏ recommendations.

**Note!**

Never use the dust extractor in connection with wet grinding or to suck up moisture and water, since this can cause blockages in the dust extractor's suction hose as well as damage to the main filter, HEPA filter and motors.

**Note!**

Only use original spare parts from V{tqrk}J [ FTQUVTGUÏ for the dust extractor. Otherwise, neither the CE marking nor the warranty will be valid.

**Note!**

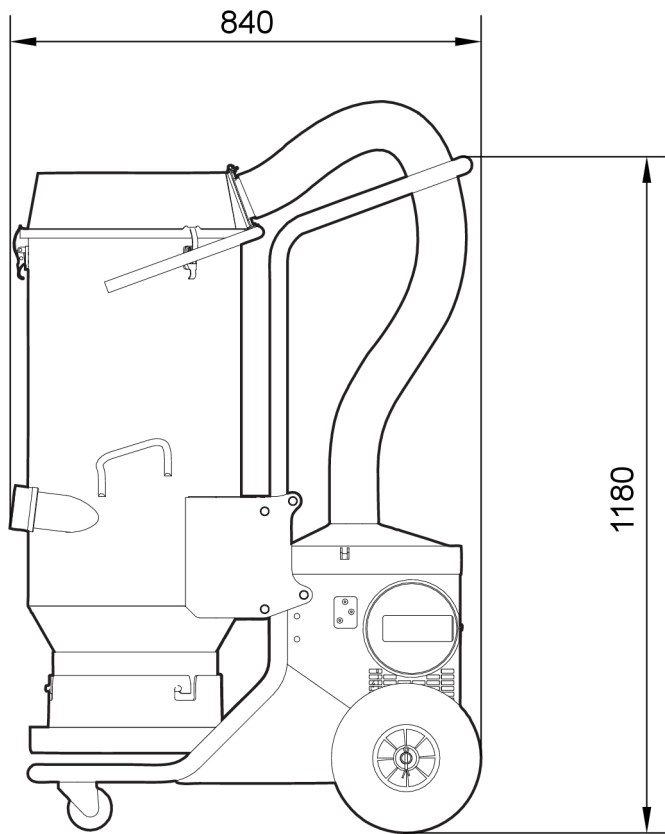
For the CE marking to be valid, the instructions in this manual must be followed.

## 7 Technical data

The tables and pictures below show the technical data and dimensions for the dust extractor.

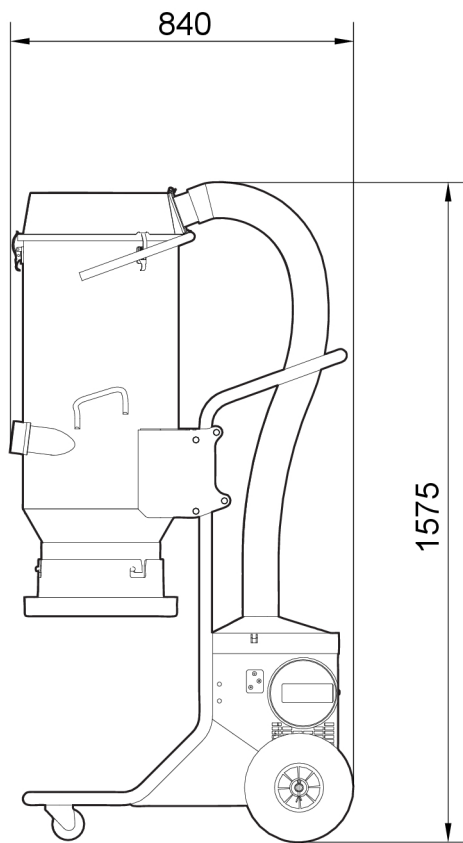
		VCE2500D	VCE2500D
Part number	Prod. no.	10992804	10992803
Total machine weight	kg	56	56
Max. theoretical airflow	m <sup>3</sup> /h	345	375
Max. theoretical vacuum	mbar	225	230
Machine's initial airflow	m <sup>3</sup> /h	330	380
Machine's initial vacuum	mbar	20	21
Filter area, main filter	m <sup>2</sup>	4	4
Filter area, Hepa 13 filter	m <sup>2</sup>	3,12	3,12
Motor power	kW	2,2	2,2
Voltage	W	1 x 110	1 x 230
Current	A	18,4	9,2
Recommended minimum cable area	mm <sup>2</sup>	4	2,5
Frequency	Hz	50/60	50/60
Storage temperature	°C	-30...+50	-30...+50
Working temperature	°C	-5...+40	-5...+40
Humidity	%	5-90	5-90
Sound pressure level, according to ISO 11202, measured using class 1 precision sound level meters.	dBA	71	71
Sound power level, according to ISO 3741, measured using class 1 precision sound level meters.	dBA	87,9	87,9





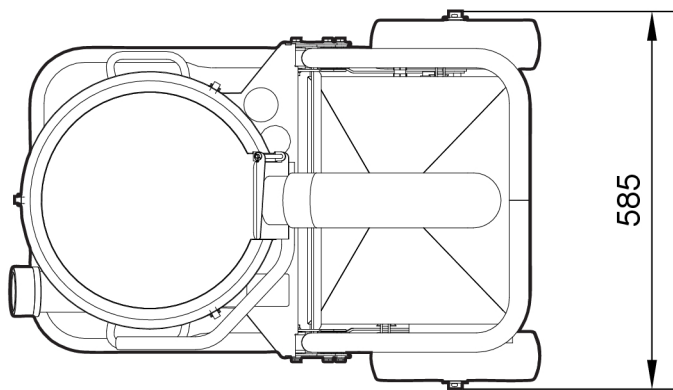
G000549

Figure 7-1. Height and length of the dust extractor, in the transport position, in millimetres



G000550

Figure 7-2. Height and length of the dust extractor, in the operating position, in millimetres



G000551

Figure 7-3. Width of the dust extractor in millimetres

## 8 Environment

Tyrolit HYDROSTRESS® products are constructed mainly of recyclable metal and plastic. The main materials used are listed below.

Machine part	Material	Waste management
<b>Chassis</b>		
Frame	Metal, powder-coated	Metal recycling
Front wheels	Metal, plastic and rubber	Metal recycling
Back wheels	Plastic	Plastic recycling/combustible
<b>Dust extractor</b>		
Cylinder	Metal, powder-coated	Metal recycling
Longopac holder	Plastic, ABS	Plastic recycling/combustible
Cover	Metal, powder-coated	Metal recycling
Camlock	Metal inc. aluminium	Metal recycling <sup>1)</sup>
Hose	Plastic (PUR) and metal wire	Plastic recycling/combustible
HEPA filter Hepa 13	Metal, glass fibre reinforced paper and hot-melt adhesive	Metal recycling <sup>2)</sup>
Main filter	Metal, polyester and hot-melt adhesive	Metal recycling <sup>2)</sup>
<b>Electrical system</b>		
Cables	Copper conductors with Neoprene and PVC coating	Waste cable
Motor	Metal: Steel, aluminium and copper	Electronic waste
Electrical components	Metal and plastic	Electronic waste

<sup>1)</sup> If possible, different metals should be separated.

<sup>2)</sup> If the filter contains any hazardous substance from the grinding dust, it must be treated as hazardous waste.

For recycling and scrapping of components, see the applicable national regulations for each country.

## 9 Warranty and CE marking

### 9.1 Warranty

This warranty only covers manufacturing defects. Tyrolit HYDROSTRESS® bears no responsibility for damage that arises or occurs during transportation, unpacking or use. In no instance and under no circumstances shall the manufacturer be held responsible for damage and defects caused by incorrect use, corrosion or use outside the prescribed specifications. The manufacturer is not responsible for indirect damage or costs under any circumstances. For complete information on the manufacturer's warranty period, see Tyrolit HYDROSTRESS® current warranty terms.

Local distributors may have special warranty terms specified in their terms of sale, delivery and warranty. If there is any uncertainty regarding warranty terms, please contact your retailer.

### 9.2 CE marking

CE marking of a product guarantees its free movement within the EU area in accordance with EU regulations. CE marking also guarantees that the product fulfils various directives (the EMC Directive and other possible requirements in so-called directives for new procedures in accordance with these regulations). This machine carries the CE mark in accordance with the Low Voltage Directive (LVD), the Machinery Directive and the EMC Directive. The EMC Directive states that electronic equipment must not disturb its surroundings with electromagnetic interference and also that it must be immune to electromagnetic interference in its surroundings.

This machine is classified for use in environments such as heavy industry, light industry and, for certain machine types, even in homes. See the Manufacturer's Declaration of Conformity, which shows that the machine is harmonised with the EMC Directive.