

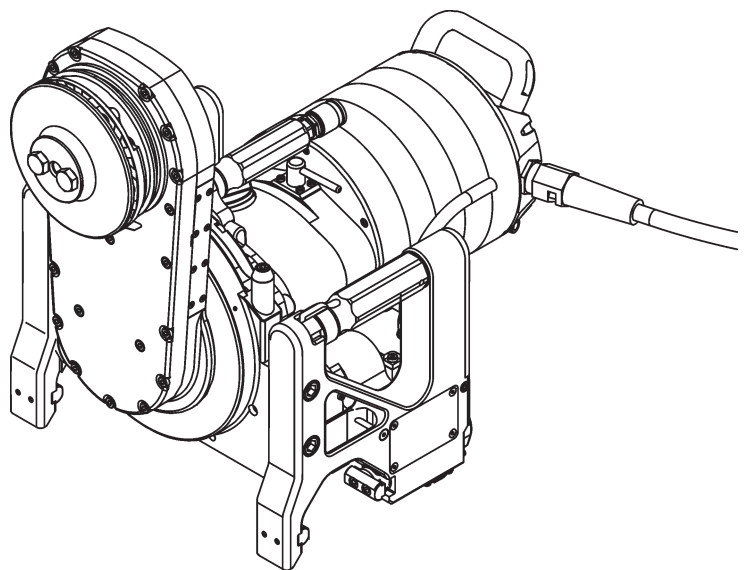
# **Ersatzteilliste**

*Spare Parts List / Liste des pièces détachées / Lista delle parti di ricambio*

---

**WSE2226 ★ ★ ★**

*Index 000*



## Verwendung der Ersatzteilliste

Die Ersatzteilliste ist keine Montage- oder Demontageanleitung. Diese Ersatzteilliste dient ausschliesslich zum einfachen und schnellen Finden von Ersatzteilen, die bei der untenstehenden Adresse bestellt werden können.

### Sicherheitsvorschrift



#### Gefahr

Montieren oder demontieren von Baugruppen kann Risiken bergen, auf die in dieser Ersatzteilliste nicht hingewiesen wird.

Das Verwenden dieser Ersatzteilliste für Montage- oder Demontagezwecke ist strikte verboten. Für Montage- und Demontearbeiten sind ausschliesslich die entsprechenden Beschreibungen in der Betriebsanleitung zu befolgen.

Nichtbeachten dieser Vorschrift kann zu Verletzungen führen, die im schlimmsten Fall auch den Tod zur Folge haben könnten.

### Bestellungen



#### Information

Um Falschliefereien zu vermeiden sollten vor der Versendung die Angaben in der Bestellung auf Richtigkeit und Vollständigkeit (siehe unter Bestellangaben) überprüft werden. Es ist auch darauf zu achten, dass die Lieferadresse vollständig angegeben ist.

### Bestelladresse

**TYROLIT** Hydrostress AG

Witzbergstrasse 18

CH-8330 Pfäffikon

Switzerland

Telefon +41 (0) 44 / 952 18 18

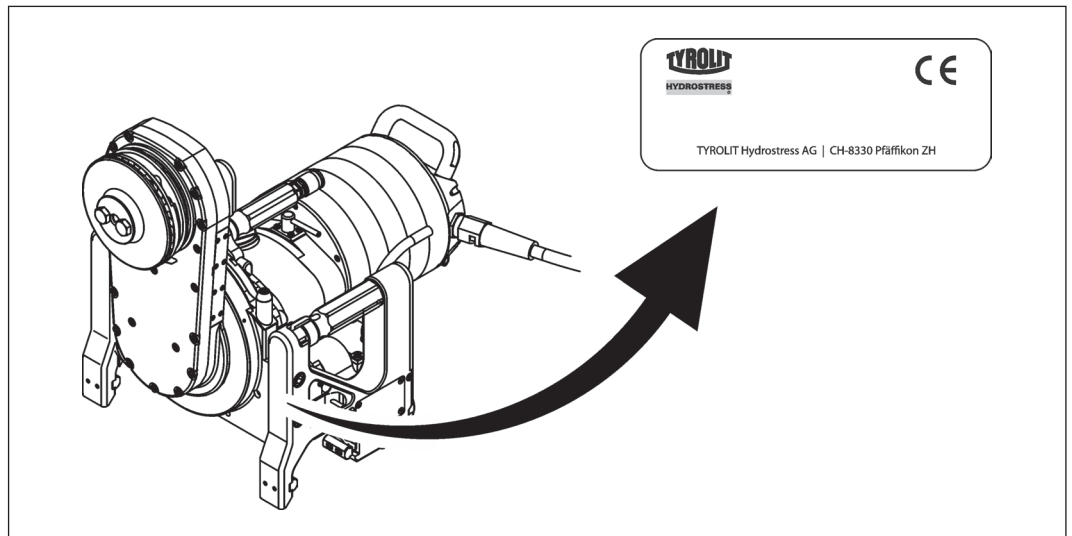
Telefax +41 (0) 44 / 952 18 00

e-mail: [info@tyrolit.com](mailto:info@tyrolit.com)

[www.tyrolit.com](http://www.tyrolit.com)

# Ersatzteilliste

## Bestellangaben



Bei Bestellungen von Ersatzteilen benötigen wir folgende Angaben:

- Maschinentyp gemäss Typenschild (z.B. WSE2226 ★★★)
- Maschinenummer gemäss Typenschild (z.B. 10989700)
- Maschinenindex gemäss Typenschild (z.B. 000)
- Ersatzteilnummer gemäss Ersatzteilliste (z.B. 961901)

Für Bestellungen, Fragen und Informationen wenden Sie sich bitte an die zuständige Niederlassung.

## How to use the spare parts list

The spare parts list is not intended as instructions for assembly or dismantling work. It is exclusively intended to help you to quickly and easily find spare parts, which can then be ordered at the address below.

### Safety regulations



#### Danger

The assembling or dismantling of modules can involve risks which are not identified in this spare parts list.  
The use of this spare parts list for assembly or dismantling purposes is strictly forbidden. For assembly or dismantling tasks it is essential to only follow the corresponding descriptions in the operating manual.  
If this regulation is not heeded injuries may be incurred which in the worst case can also be fatal.

### Ordering



#### Information

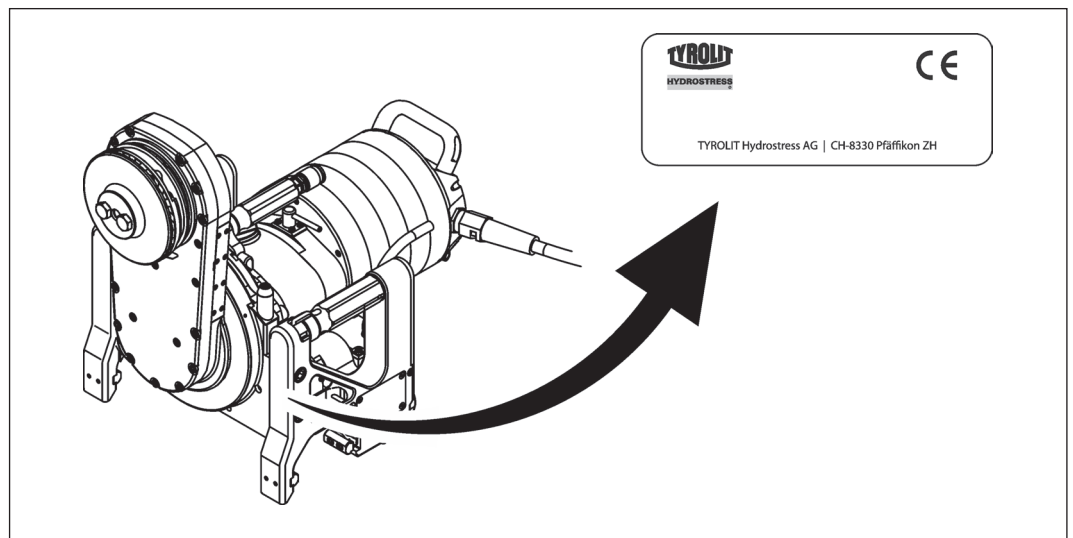
To avoid incorrect deliveries you should check the order details for correctness and completeness (see under ordering details) prior shipment.  
You should ensure that the delivery address is given in full.

### Order address

**TYROLIT Hydrostress AG**  
Witzbergstrasse 18  
CH-8330 Pfäffikon  
Switzerland  
Tel. +41 (0) 44 / 952 18 18  
Fax +41 (0) 44 / 952 18 00  
e-mail: [info@tyrolit.com](mailto:info@tyrolit.com)  
[www.tyrolit.com](http://www.tyrolit.com)

# Spare Parts List

## Ordering details



When spare parts are ordered we need the following details:

- Machine type according to nameplate (e.g. WSE2226★★★)
- Machine number according to nameplate (e.g. 10989700)
- Machine index according to nameplate (e.g. 000)
- Spare part number according to the spare parts list (e.g. 961901)

For orders, questions and information please contact your responsible branch office.

## Utilisation de la liste des pièces détachées

La liste des pièces détachées n'est pas une instruction de montage ou de démontage. Cette liste sert exclusivement à trouver simplement et rapidement les pièces détachées, qui peuvent être commandées à l'adresse mentionnée ci-dessous.

### Prescription de sécurité



#### Danger

Le montage ou le démontage des modules peut présenter des risques dont il n'est pas fait mention dans cette liste des pièces détachées.  
Il est strictement interdit d'employer cette liste des pièces détachées à des fins de montage ou de démontage. Pour les opérations de montage et de démontage, il faut exclusivement suivre les descriptions correspondantes dans le mode d'emploi.  
Le non-respect de la présente prescription peut conduire à des blessures, pouvant même entraîner la mort.

### Commandes



#### Information

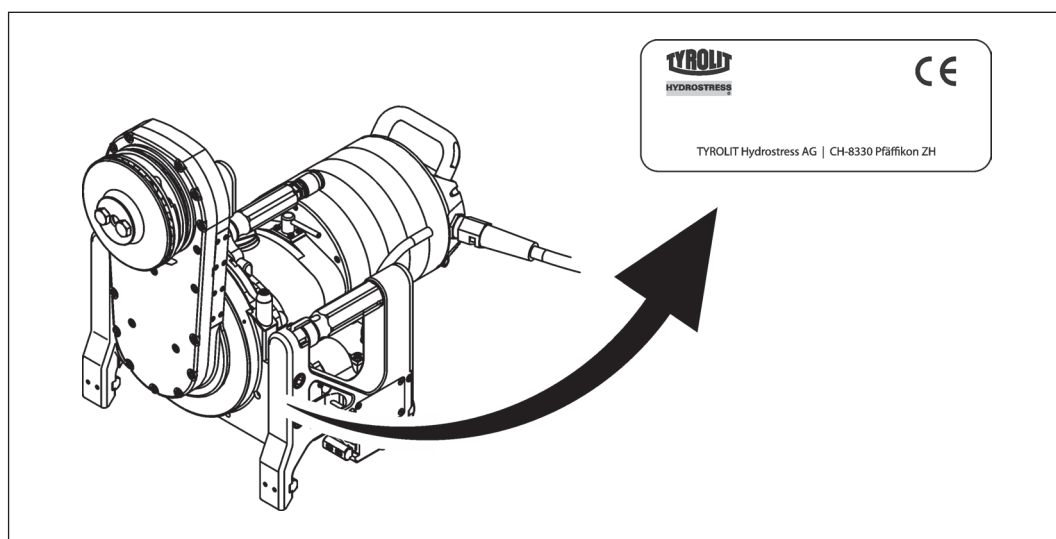
Pour éviter des livraisons inappropriées, il est conseillé de vérifier avant l'expédition l'exactitude et l'exhaustivité des indications fournies dans la commande (voir Données de commande).  
Il faut aussi veiller à bien indiquer l'adresse de livraison en entier.

### Adresse de commande

**TYROLIT Hydrostress AG**  
Witzbergstrasse 18  
CH-8330 Pfäffikon  
Suisse  
Téléphone +41 (0) 44 / 952 18 18  
Télécopie +41 (0) 44 / 952 18 00  
e-mail: [info@tyrolit.com](mailto:info@tyrolit.com)  
[www.tyrolit.com](http://www.tyrolit.com)

# Liste des pièces détachées

## Données de commande



Lors de la commande de pièces détachées, nous avons besoin des données suivantes :

- Type de machine selon la plaque signalétique (p.ex. WSE2226★★★)
- Numéro de machine selon la plaque signalétique (p.ex. 10989700)
- Indice de machine selon la plaque signalétique (p.ex. 000)
- Numéro de pièce détachée selon la liste des pièces détachées (p.ex. 961901)

Pour les commandes, questions et informations, vous êtes prié de vous adresser à la filiale compétente.

## Uso della lista delle parti di ricambio

La lista delle parti di ricambio non è un manuale d'istruzioni per montaggio o smontaggio. Questa lista delle parti di ricambio serve esclusivamente per trovare in modo semplice e rapido parti di ricambio che possono essere ordinate all'indirizzo riportato qui sotto.

### Norme di sicurezza



#### Pericolo

Il montaggio o lo smontaggio di componenti della macchina può comportare pericoli che non sono indicati in questa lista delle parti di ricambio. E' assolutamente vietato servirsi di questa lista delle parti di ricambio per scopo di montaggio o di smontaggio. Per operazioni di montaggio o smontaggio occorre seguire esclusivamente le relative istruzioni nel manuale per l'uso della macchina. La mancata osservanza di queste norme può comportare lesioni, e nel caso peggiore anche la morte.

### Ordinazioni



#### Information

Per evitare forniture incorrette, occorre verificare prima dell'invio dell'ordinazione se i dati indicati in essa sono corretti e completi (vedere la lista dei dati per l'ordinazione). Occorre verificare anche se l'indirizzo per la consegna è esatto e completo..

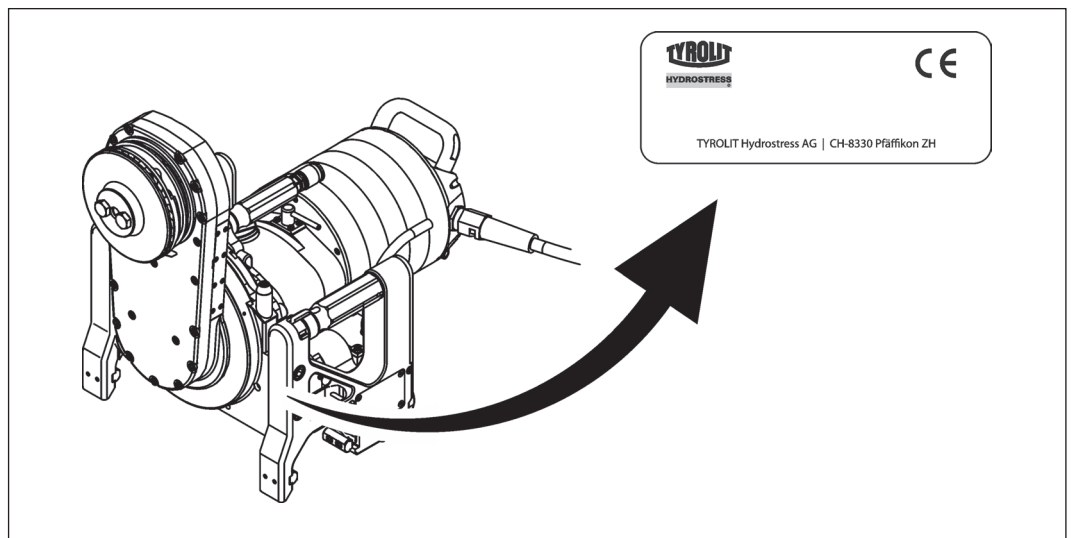
### Indirizzo per ordinazioni

**TYROLIT Hydrostress AG**  
Witzbergstrasse 18  
CH-8330 Pfäffikon  
Svizzera  
Tel. +41 (0) 44 / 952 18 18  
Fax +41 (0) 44 / 952 18 00  
e-mail: [info@tyrolit.com](mailto:info@tyrolit.com)  
[www.tyrolit.com](http://www.tyrolit.com)



## Lista delle parti di ricambio

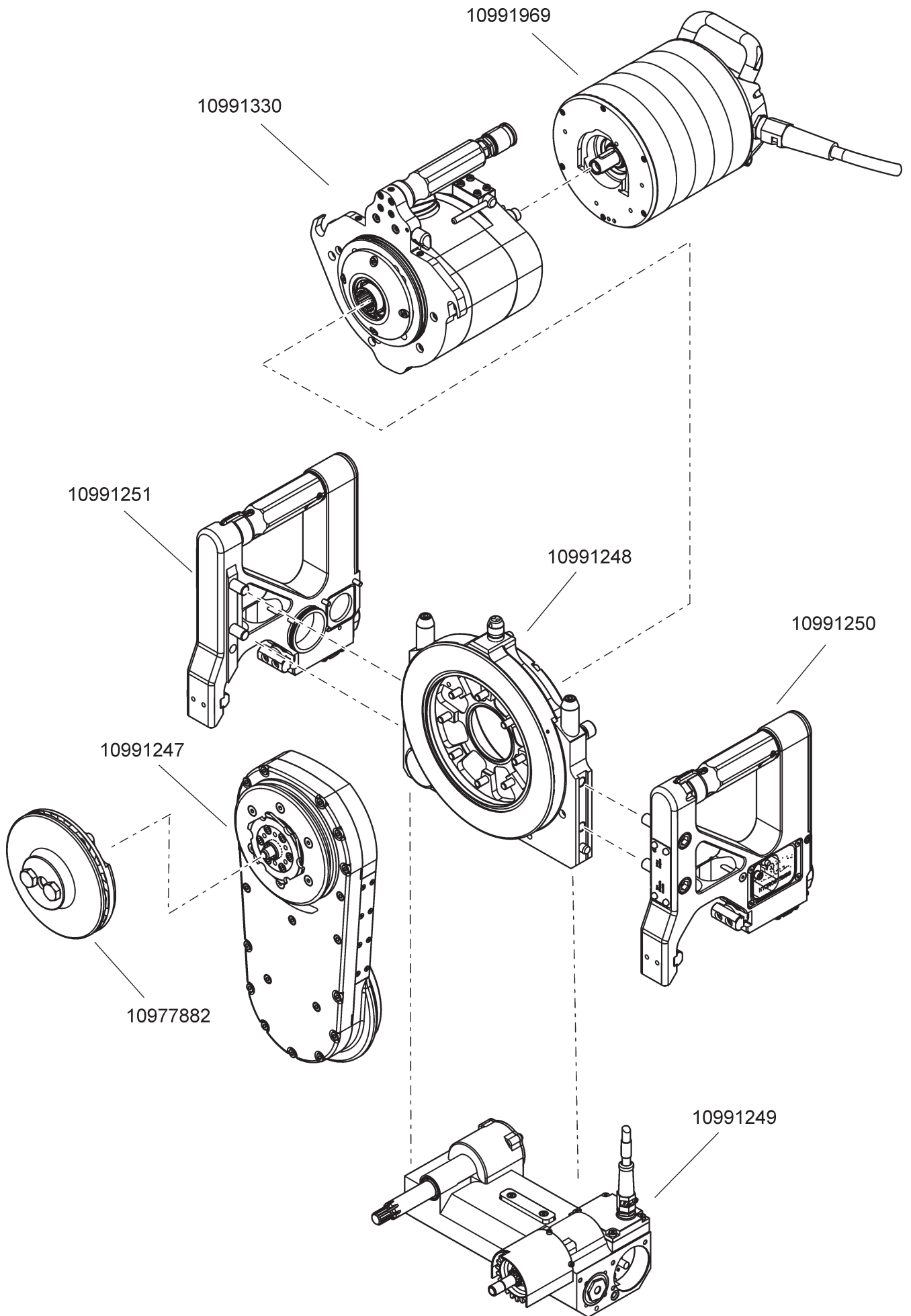
### Dati per l'ordinazione

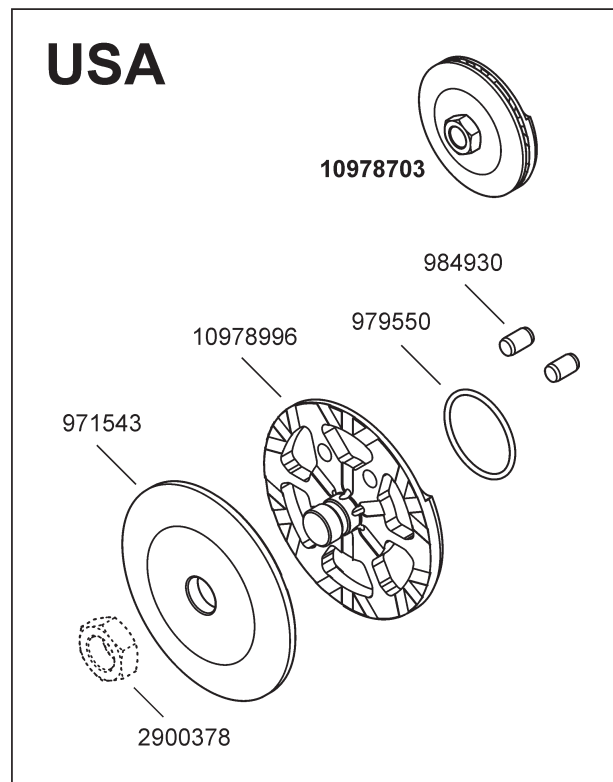
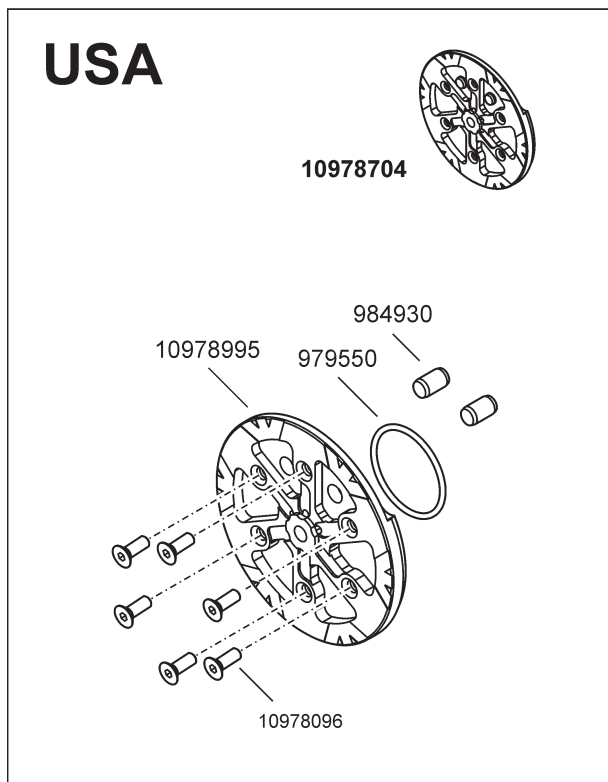
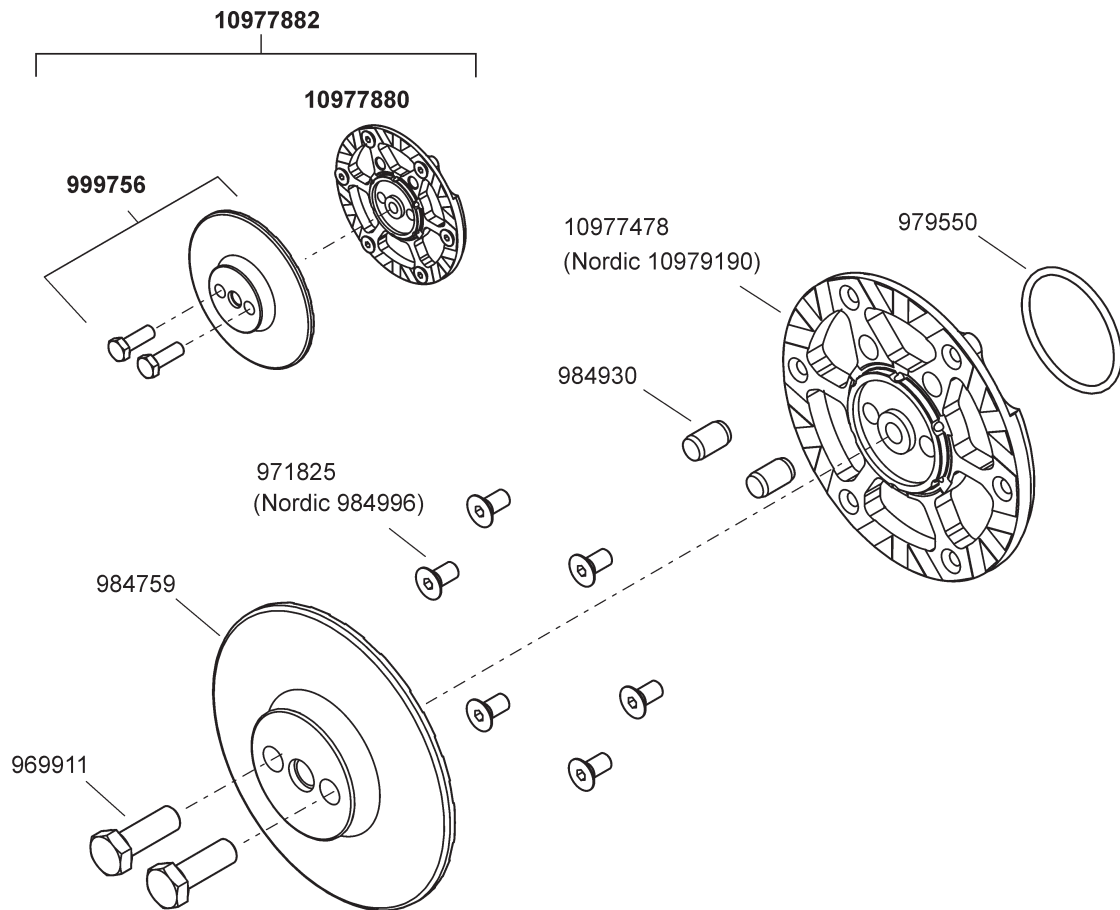


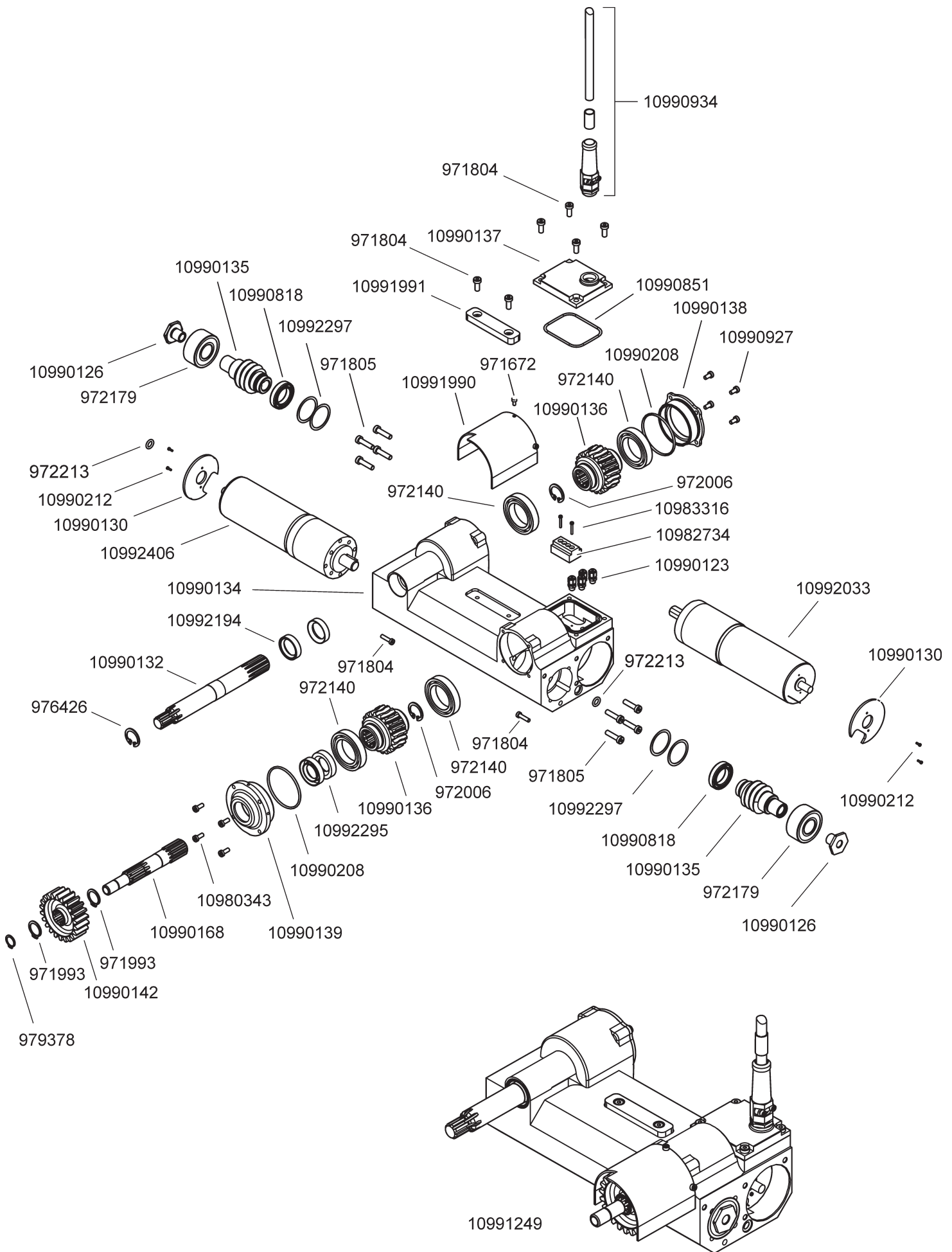
Per ordinazioni di parti di ricambio ci occorrono i dati seguenti:

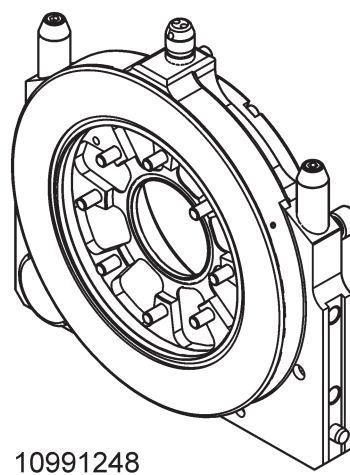
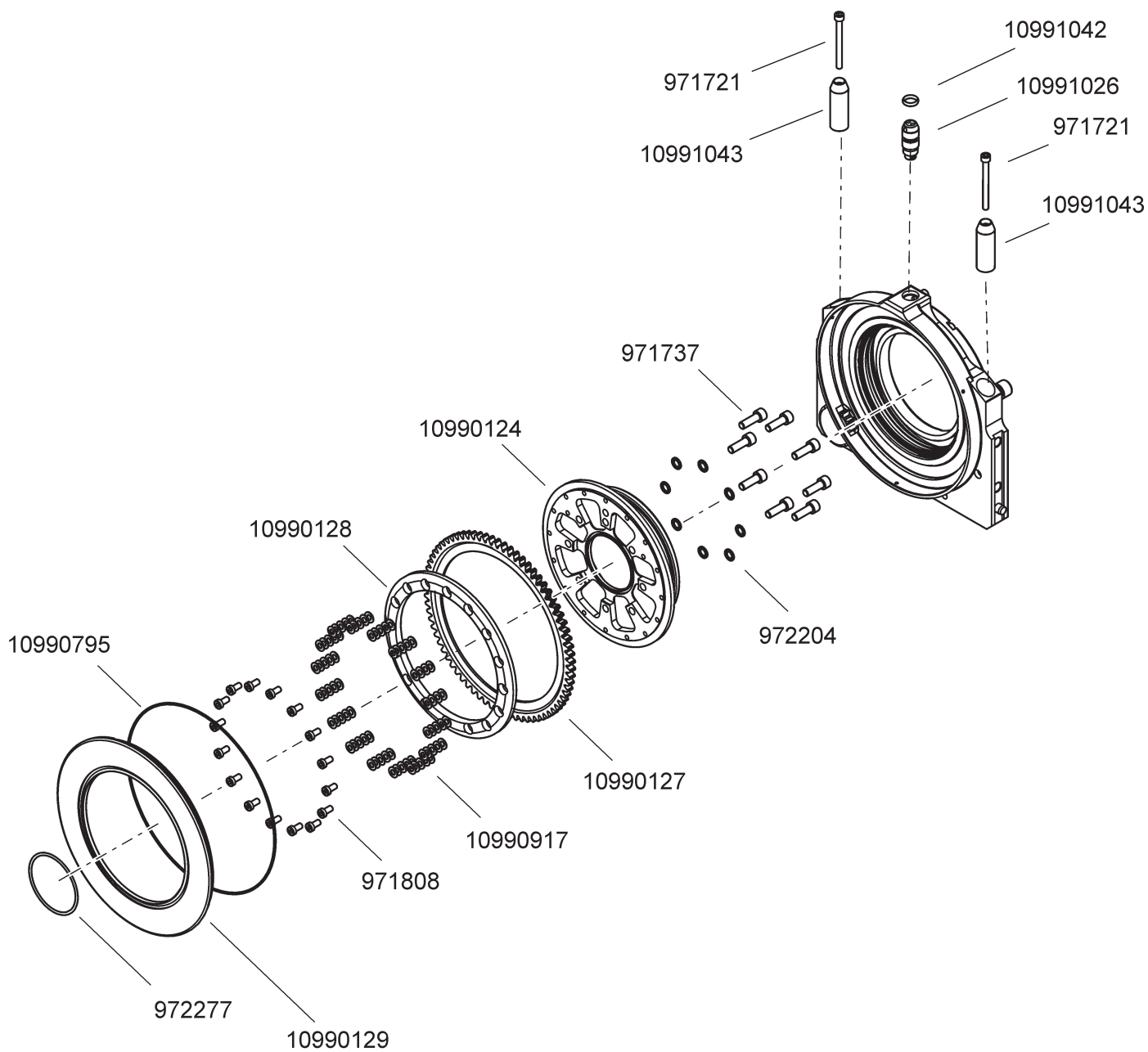
- Tipo di macchina indicato sulla targhetta della macchina (per es. WSE2226★★★)
- Numero della macchina indicato sulla targhetta della macchina (per es. 10989700)
- Indice della macchina indicato sulla targhetta della macchina (per es. 000)
- Numero della parte di ricambio secondo la lista di parti di ricambio (per es. 961901)

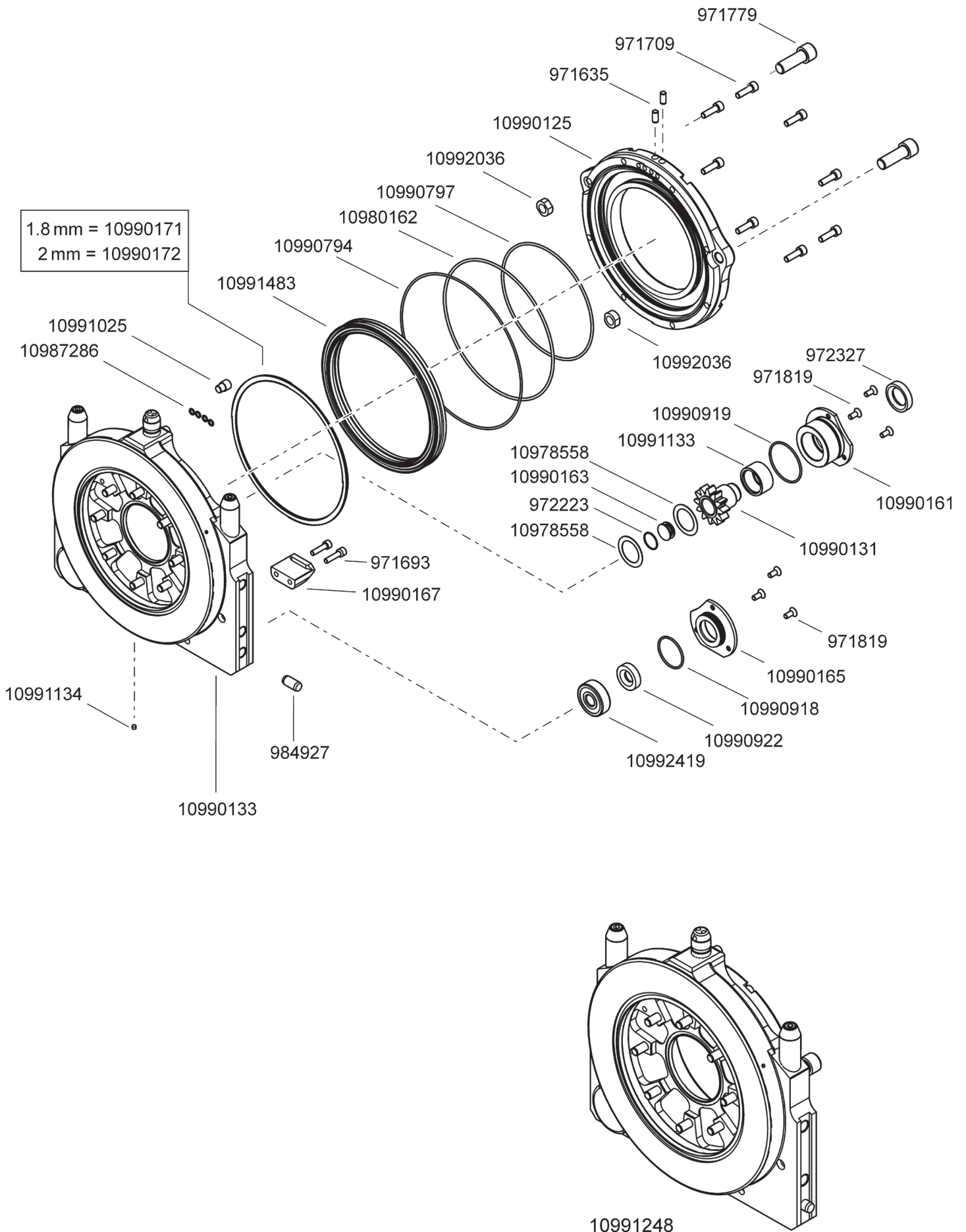
Per ordinazioni, domande o richieste d'informazioni Vi preghiamo di rivolgerVi all'agenzia competente.

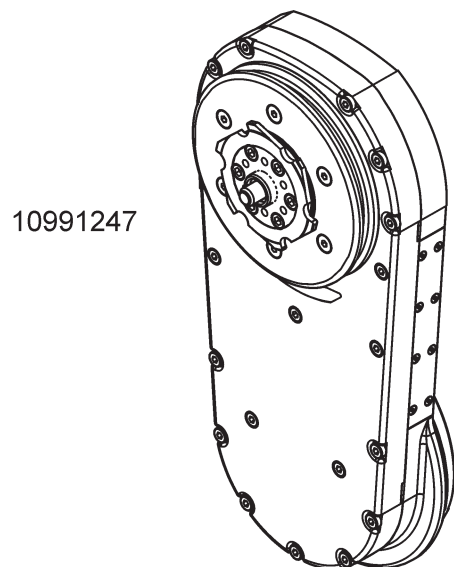
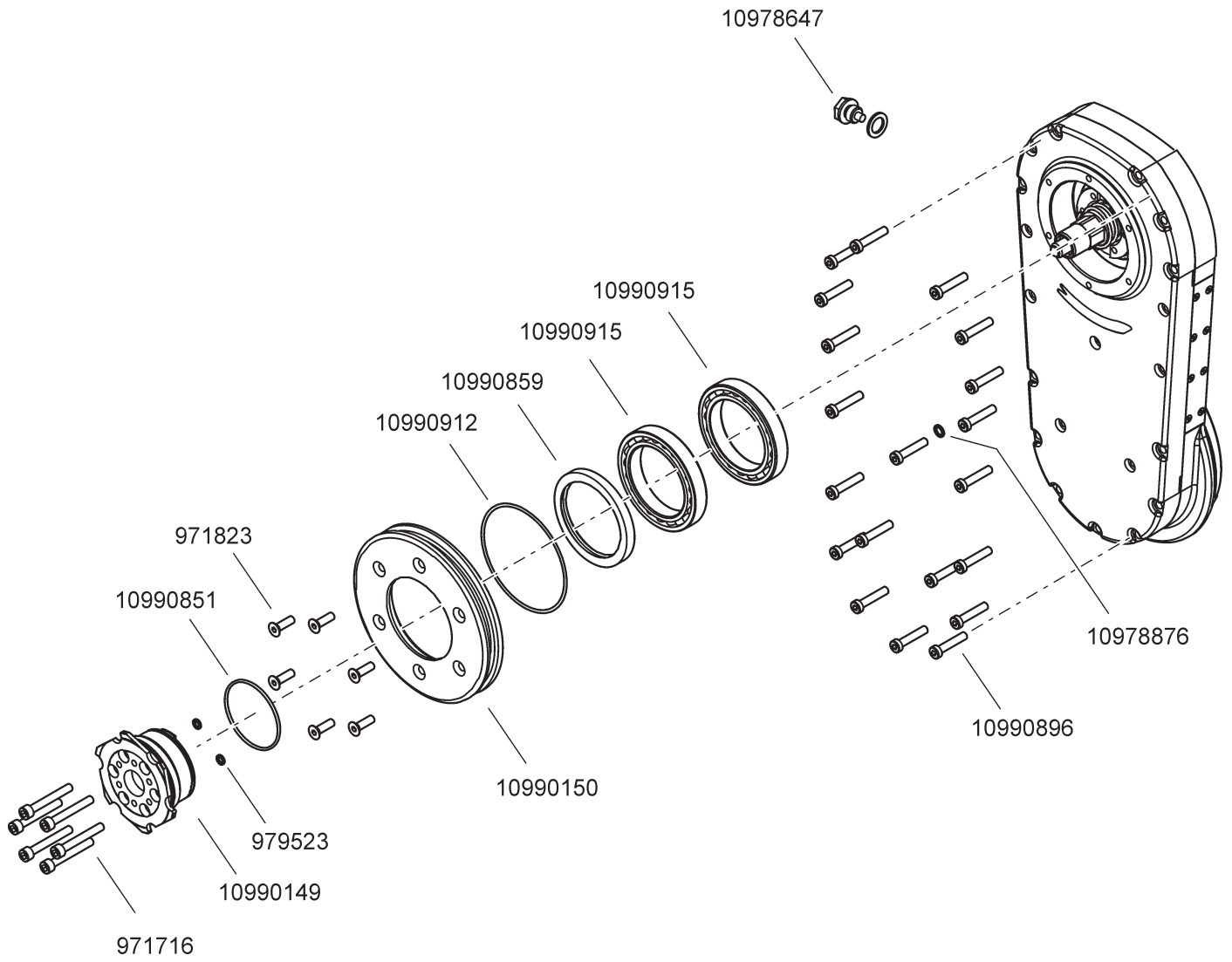


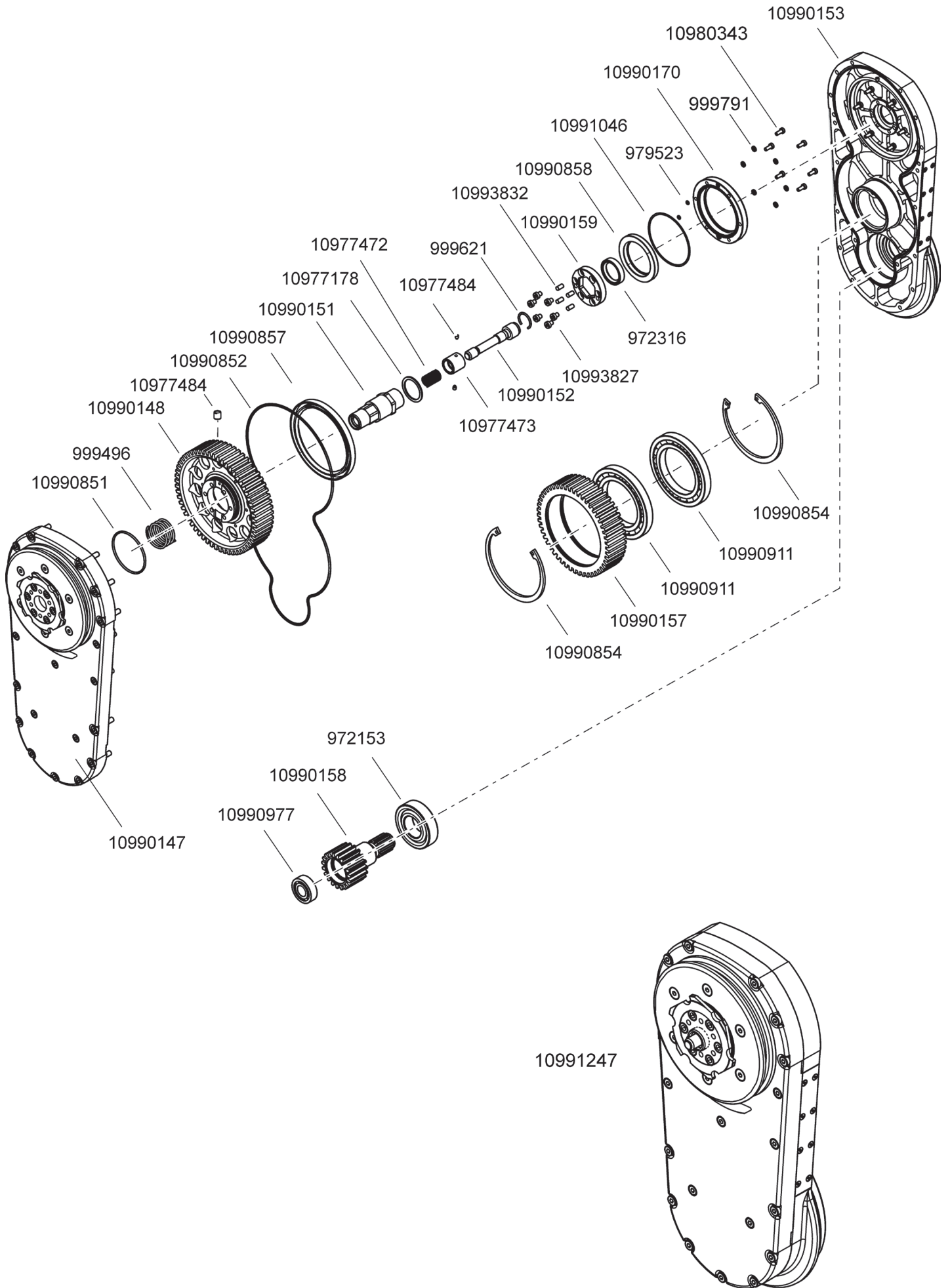




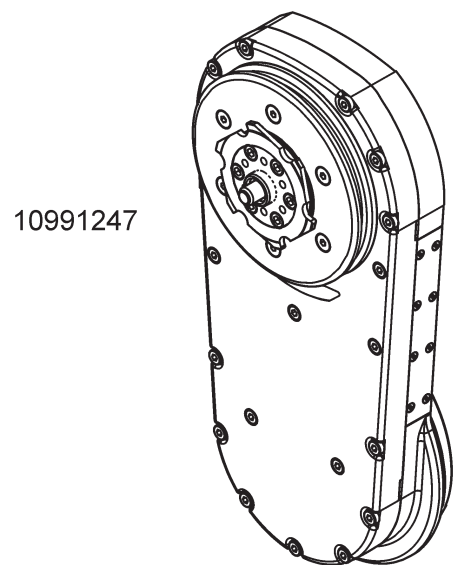
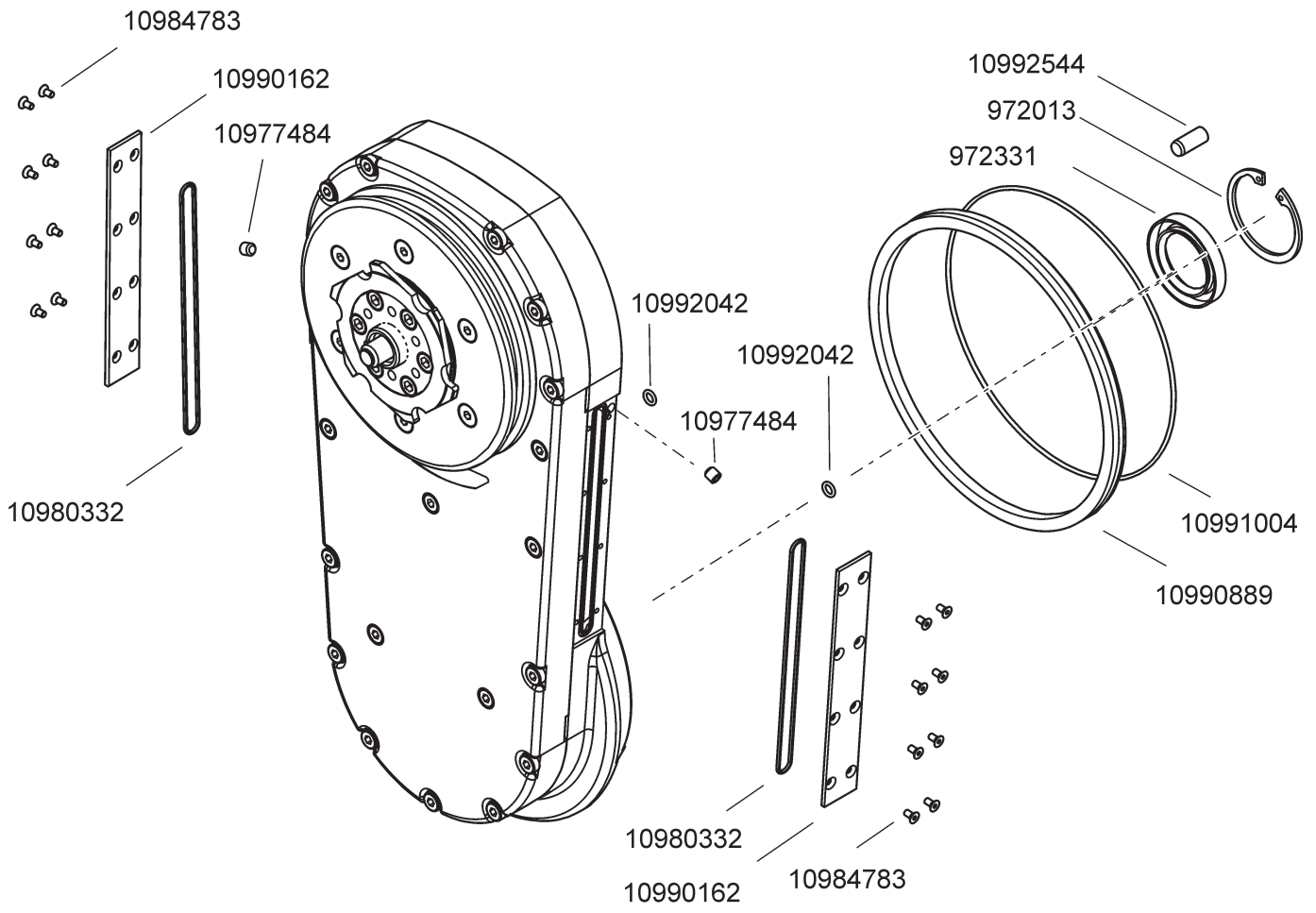


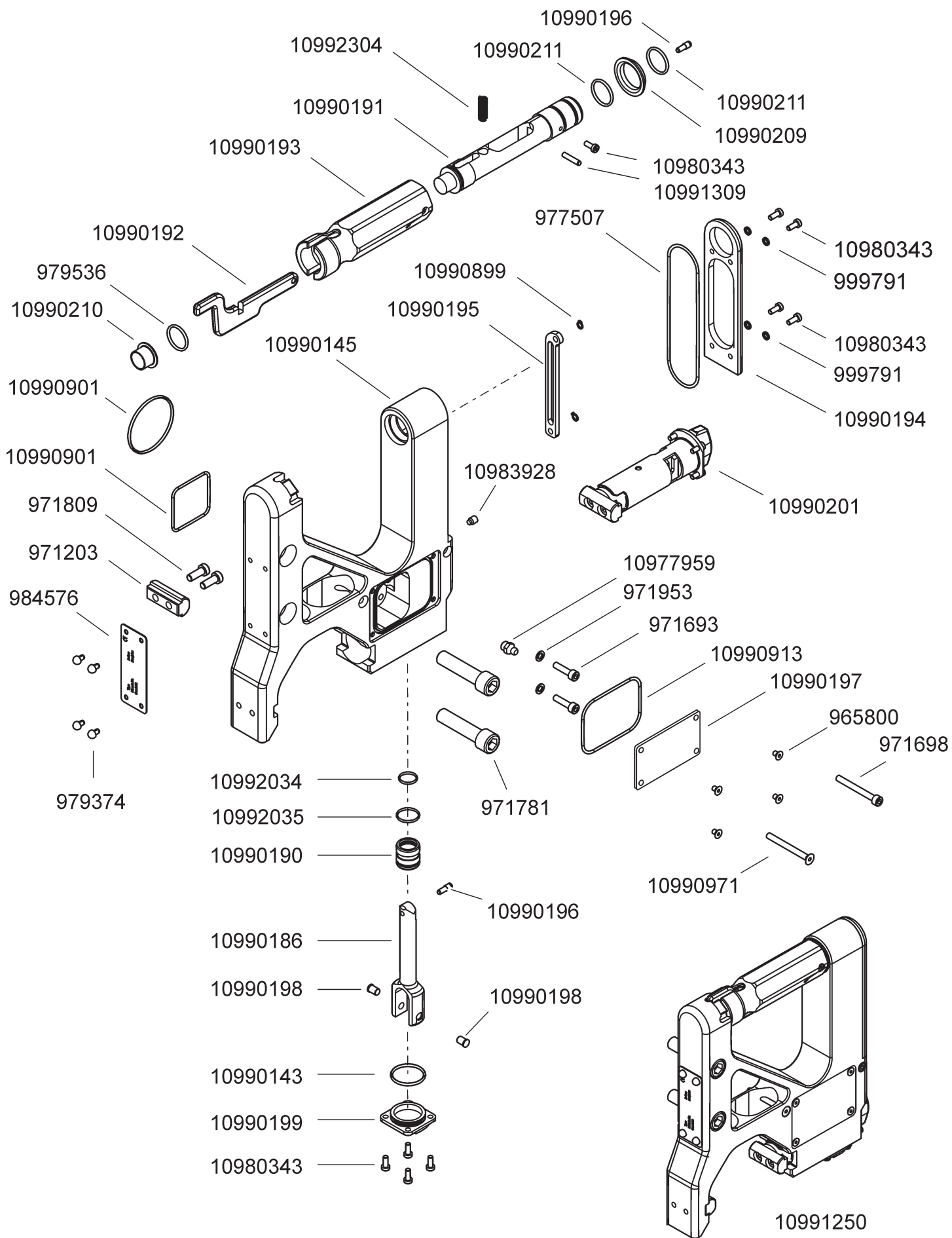


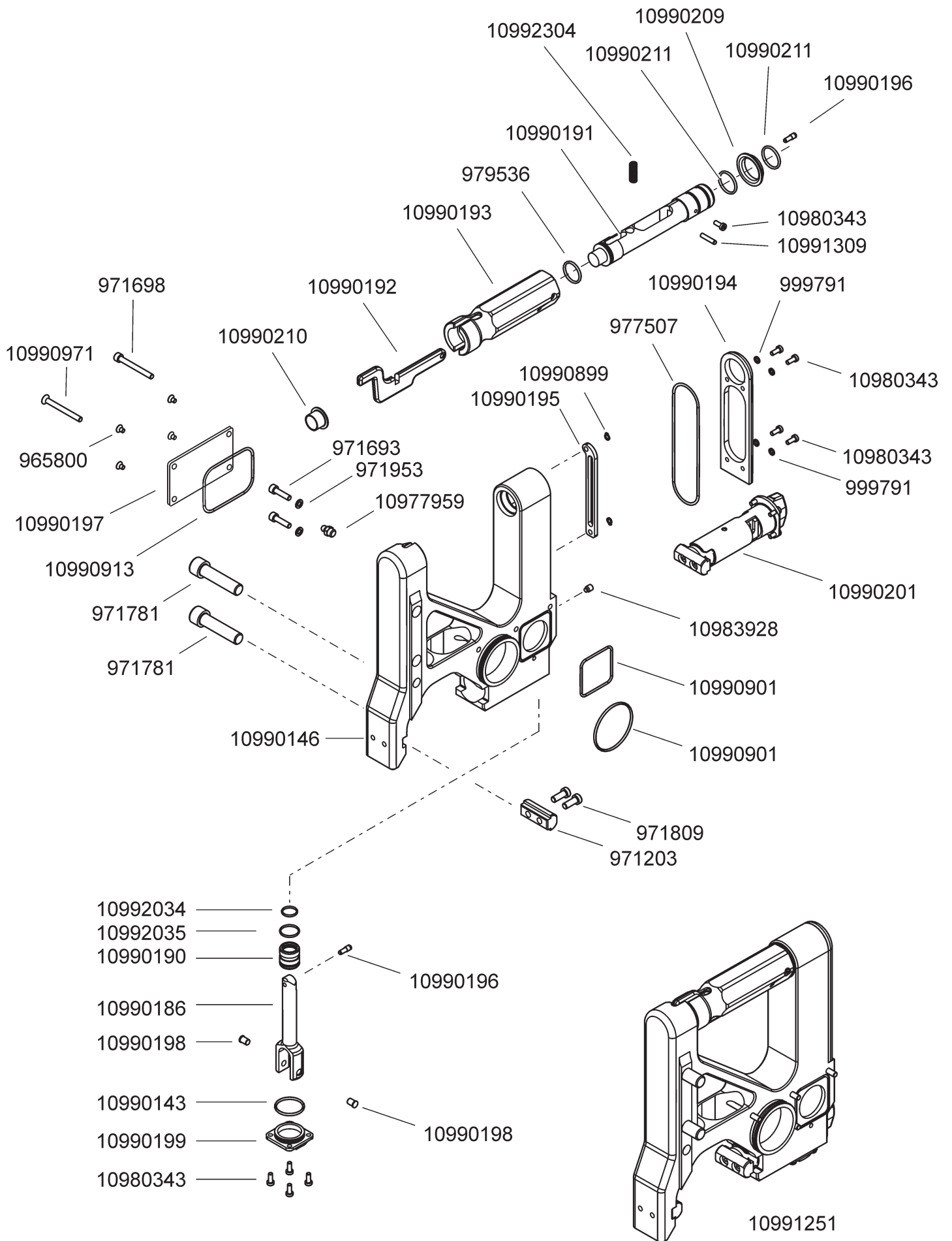


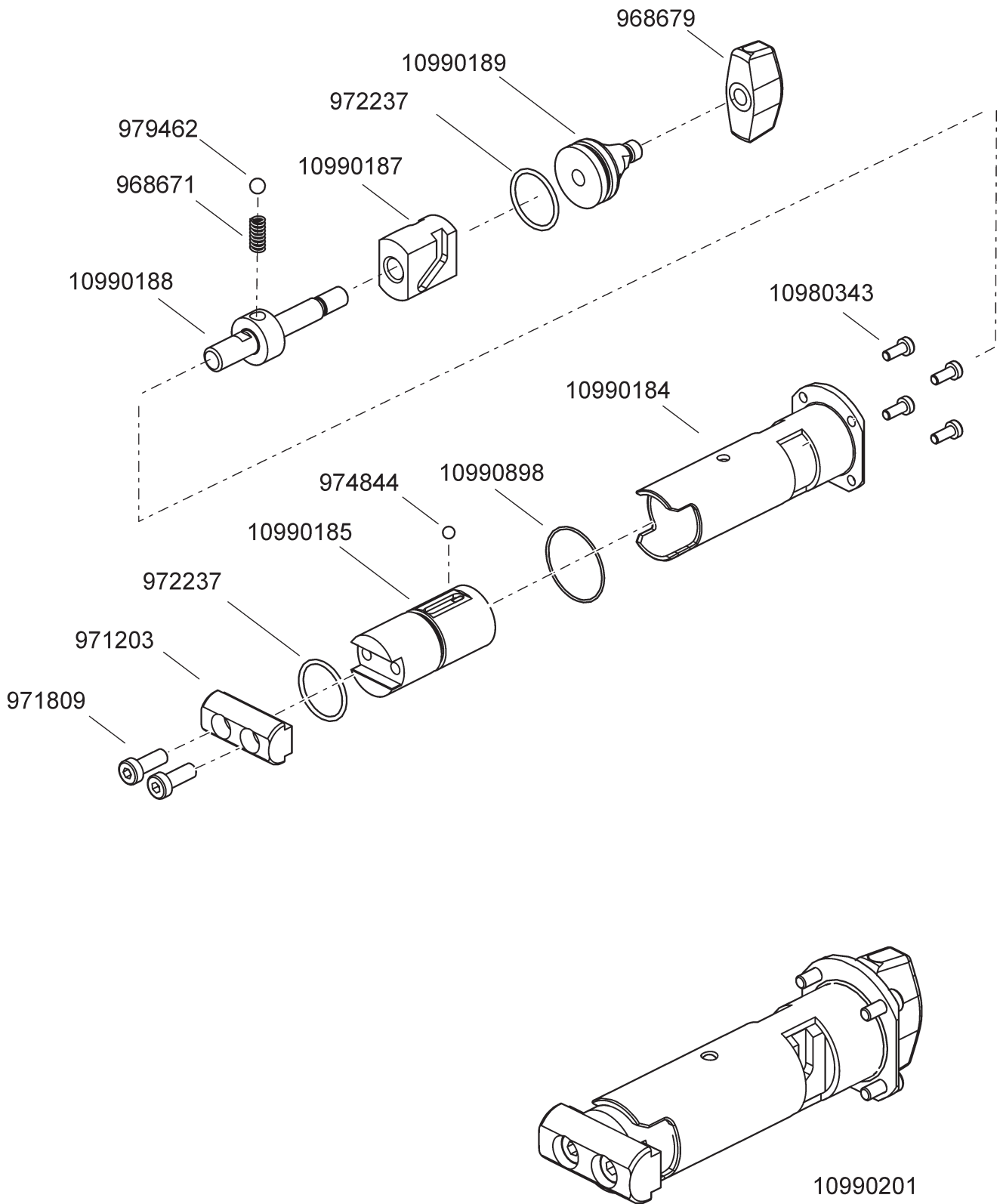


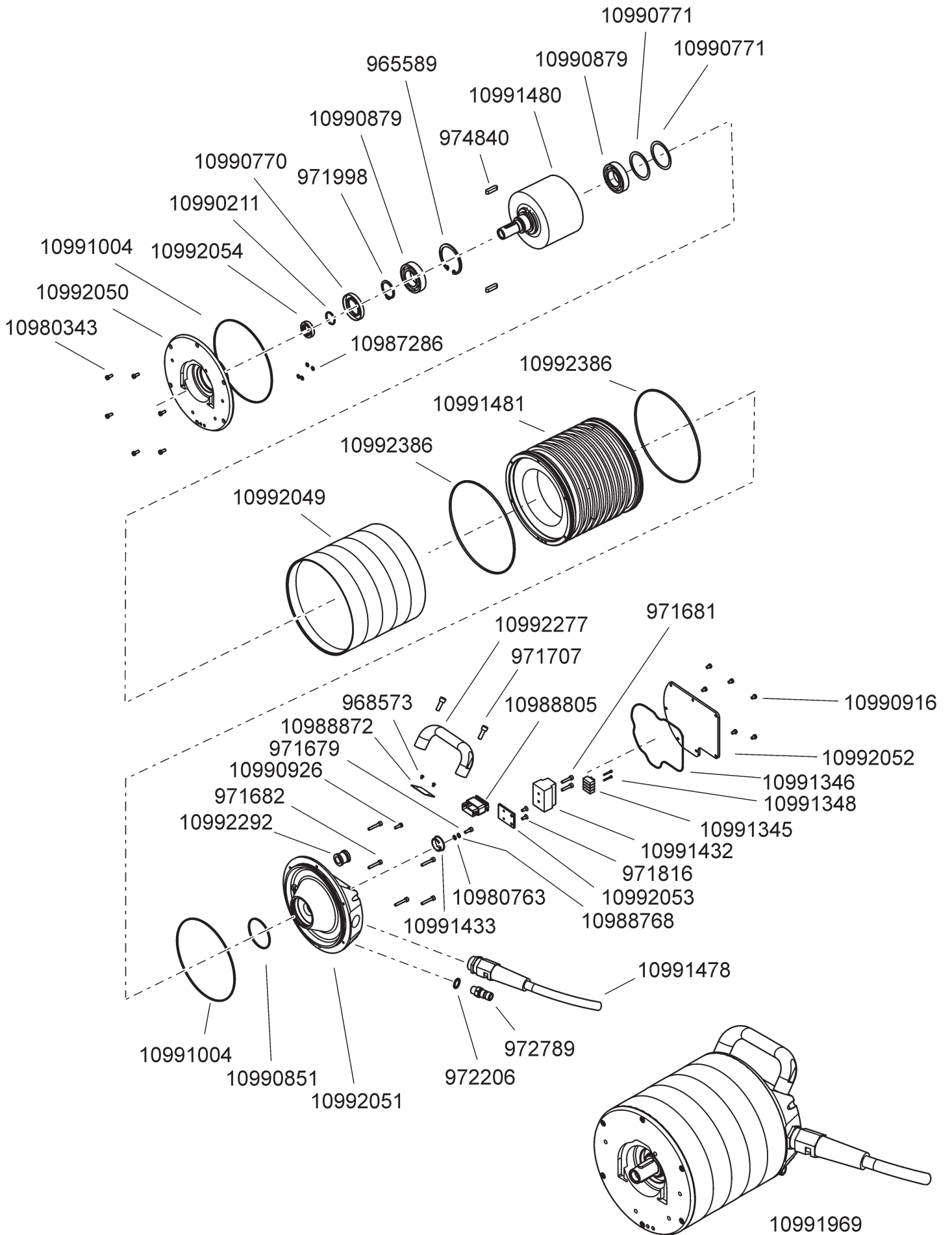




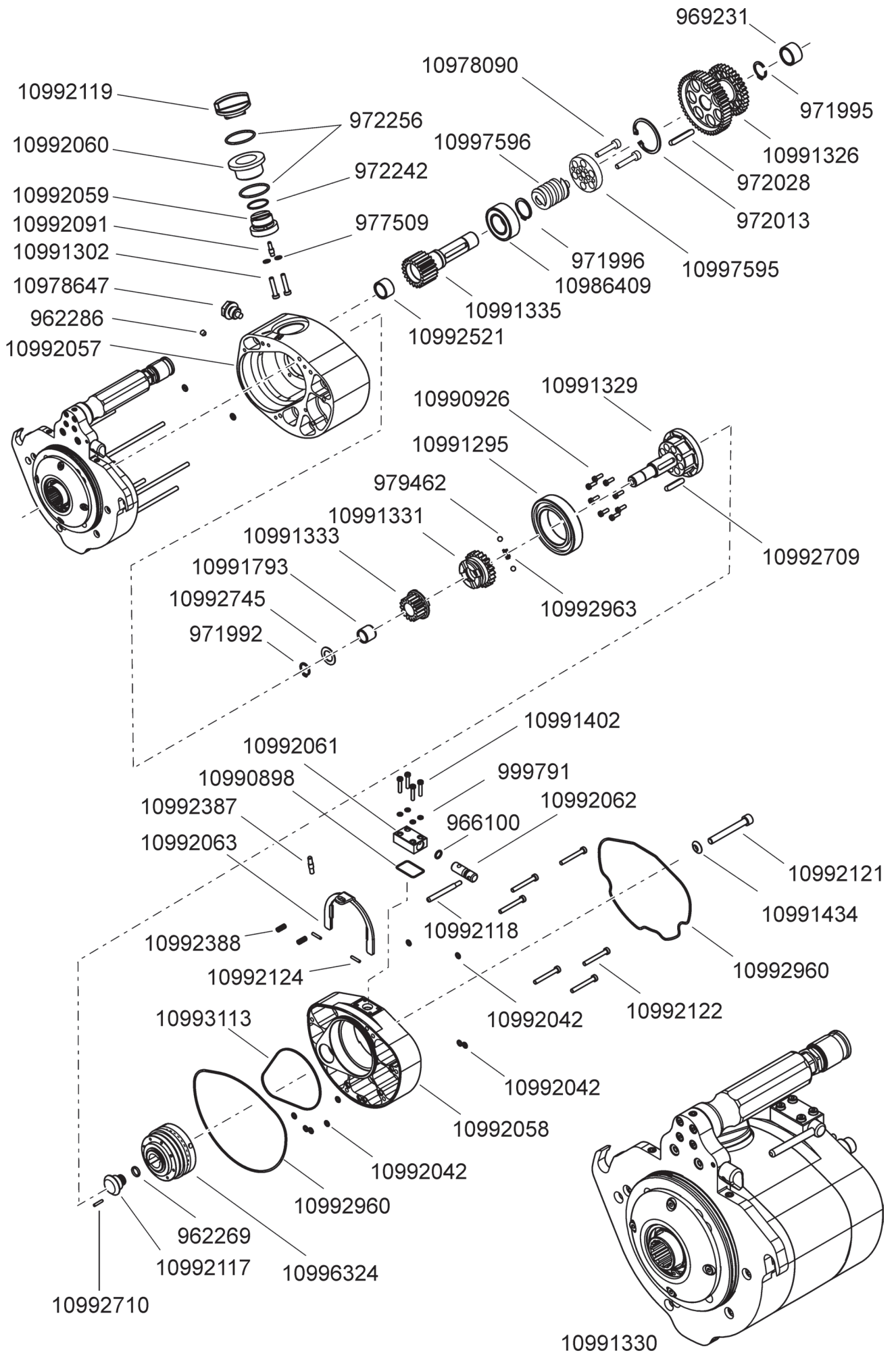












**WSE2226★★★**

962269	O-ring 10.00x2.00 N 70	972028	Shaft key 6x6x40
962286	Threadedoin M6x6	972136	Gr. ball bearing 6007
965589	Circlip bore dia 55	972140	Gr. ball bearing 6906
965643	Bag PE 115x155/0.075	972153	Gr. ball bear. 6206-2RS
965800	Countersunk screw M4x6	972179	Ang.b.bear. 3203/5203-2RS
966100	O-ring 8.00x2.00 N 70	972204	MEGU seal 8.5/13.4x1.00
968573	Grooved nail 3x4	972206	MEGU seal 13.8/18.7x1.25
968671	Pr. Spring 5/1.0x17	972210	O-ring 5.00x2.50 N 70
968679	Wing nut M8	972213	O-ring 7.00x2.50 N 70
969231	Needle bush HK 2016	972223	O-ring 12.00x2.50 N 70
969911	Hex. screw M12x35	972237	O-ring 22.00x2.00 N 70
971203	Guiding prism bronze	972242	O-ring 25.00x2.00 N 70
971635	Threadedpin M8x8	972256	O-ring 36.00x2.50 N 70
971672	Socket screw M3x6	972277	O-ring 68.00x2.50 N 70
971679	Socket screw M4x12	972316	Sh.seal A 25/35/7 NBR RF
971681	Socket screw M4x20	972327	Sh.seal A 20/32/7 NBR RF
971682	Socket screw M4x25	972331	Sh.seal A 30/47/7 NBR RF
971693	Socket screw M5x20	972789	Plug nipple 1/4" A1-WRO13
971698	Socket screw M5x45	974840	Shaft key 6x6x25
971707	Socket screw M6x18	974844	Ball dia 4.762
971709	Socket screw M6x20	975924	TY-HS type plate 80x30
971716	Socket screw M6x45	976086	HS brand sign 90x20
971721	Socket screw M6x65	976426	Circlip shaft dia 14
971737	Socket screw M8x25	977507	O-ring 100.00x2.00 N 70
971779	Socket screw M12x35	977509	MEGU seal 5.7/9.0x1.00
971781	Socket screw M12x45	979374	Grooved nail 4x6
971804	Socket screw flhd M5x12	979378	Circlip shaft dia 12
971805	Socket screw flhd M5x20	979462	Ball dia 6
971808	Socket screw flhd M6x12	979523	O-ring 3.00x1.50 N 70
971809	Socket screw flhd M6x16	979536	O-ring 20.00x2.00 N 70
971816	Countersunk screw M4x10	979550	O-ring 54.00x4.00 N 70
971819	Countersunk screw M5x12	980225	Cable tie TY24MX140x3.6
971823	Countersunk screw M6x20	984759	Blade cover
971825	Countersunk screw M8x16	984927	Str. pin 10h8 x 20 RF
971953	Washer M5	984930	Straight pin 12m6 x 20
971992	Circlip shaft dia 15	999496	Pr. spring dia32/2.5x71.5
971993	Circlip shaft dia 16	999621	Circlip int Ø22
971995	Circlip shaft dia 20	999756	Blade cover qu.rel.flange
971996	Circlip shaft dia 25	999791	MEGU seal 4.5/7.0x1.00
971998	Circlip shaft dia 30	10977101	Transparent case A6
972006	Circlip bore dia 21	10977178	Spring washer
972013	Circlip bore dia 47	10977472	Pr. spring 13.5/0.9x56.7



**WSE2226★★★**

10977473	Hub ring	10990134	Feed unit housing
10977478	Blade flange N-type	10990135	Worm gear
10977484	Threaded pin M4x5	10990136	Worm gear
10977880	Blade flange new cpl.	10990137	Cover cable box
10977882	Blade flange ST cpl.	10990138	Bearing cover
10977959	Grease nipple H1 M8	10990139	Sealing cover
10978090	Socket screw M3x16	10990142	Drive pinion
10978558	Distance washer 25/35/0.5	10990143	O-ring 26x2.00 N 70
10978647	Drain plug w/magnet 1/4	10990145	Side part left
10978876	MEGU seal 6.7/10.0x1.00	10990146	Side part right
10979011	Gear oil Klüber EG 4-150	10990147	Swivelling arm cover
10979471	Coupling LP-006-0-WR013	10990148	Hub gear
10980162	O-ring 158.42x2.62 N 70	10990149	Blade flange
10980332	O-ring 90.00x1.50 N 70	10990150	Blade guard guidance
10980343	Socket screw flhd M4x10	10990151	Clamping sleeve
10980763	Curved spring washer M4	10990152	Hub screw
10981162	Coiled spring pin 4x14	10990153	Swivelling arm
10981188	Turning knob	10990157	Intermediate gear
10981565	Safety sign ST	10990158	Main drive pinion
10982722	Torque wrench 60Nm 1/2"	10990159	Lock
10982724	Torque wrench cpl.	10990161	Swivel bearing cover
10982734	Terminal block 5pole/1mm <sup>2</sup>	10990162	Water cover
10983316	Slotted screw M2x14	10990163	Sealing cover
10983928	Threaded pin M6x8	10990165	Feed bearing cover
10984783	Countersunk screw M3x6	10990167	Motor arrestor
10986409	Ang. ball bear. 3005-2RS	10990168	Drive shaft
10987286	O-ring 5.00x1.50 N 70	10990170	Sealing ring
10988720	Packaging bottle 200ccm	10990171	Distance washer 1.8mm
10988768	Serrated washer M4	10990184	Lining bush
10988805	Operating hour meter	10990185	Rest bush
10988872	TY-HS type plate 38x30	10990186	Fork pusher
10990123	Cable fitting M6 brass	10990187	Slotted gate
10990124	Swivelling ring	10990188	Spindle
10990125	Motor flange	10990189	Handle support
10990126	Screw	10990190	Pusher bearing
10990127	Swivelling gear	10990191	Handle core
10990128	Pressure ring	10990192	Lock lever
10990129	Cover ring	10990193	Handle
10990130	Motor ring	10990194	Cover
10990131	Swivelling pinion	10990195	Lever
10990132	Swivelling shaft	10990196	Bearing bush
10990133	Support	10990197	Lateral cover

**WSE2226★★★**

10990198	Bolt	10991026	Centre bolt
10990199	End cover	10991042	O-ring 12.00x3.00 N 70
10990201	Carriage guide	10991043	Pintle
10990208	O-ring 48.00x2.00 N 70	10991046	O-ring 71.00x1.50 N 70
10990209	Fl. Bushing JFM-2528-06	10991133	Needle bush HK 2516
10990210	Fl. Bushing JFM-1517-12	10991134	Treaded pin M4x5
10990211	O-ring 21x2.00 N 70	10991247	Swivel arm assy WSE2226
10990212	Slotted screw M1.6x5	10991248	Support assy WSE2226
10990770	Sh. seal A 30/50/7 FPM	10991249	Drive unit assy WSE2226
10990771	Spacer disc dia 45	10991250	Side part l. assy WSE2226
10990794	O-ring 175.00x2.00 N 70	10991251	Side part r. assy WSE2226
10990795	O-ring 224.00x2.00 N 70	10991295	Grooved ball bearing 6010
10990797	O-ring 130.00x2.50 N 70	10991301	Socket screw flhd M4x16
10990818	Gr. ball bear. 6804-2RS	10991302	Socket screw flhd M5x25
10990851	O-ring 56.00x2.00 N 70	10991309	Straight pin 4h6 x 20
10990852	O-ring 270.00x2.00 N 70	10991326	Intermed. gear z33 / z48
10990854	Circlip bore dia 100	10991329	Drive shaft
10990857	Shaft seal A 90/110/8 NBR	10991330	Spur gear unit WSE2226
10990858	Shaft seal A 52/68/8 NBR	10991331	Control gear z22
10990859	Shaft seal A 65/80/8 NBR	10991333	Drive gear z16
10990879	Gr. ball bear. 6006-2Z C4	10991334	Bearing flange
10990889	V-seal TWVA 155-165	10991335	Drive gear z21
10990896	Socket screw flhd M6x30	10991345	Terminal block 4pole/1mm <sup>2</sup>
10990898	O-ring 30.00x1.50 N 70	10991346	O-ring 140.00x2.00 N 70
10990899	Circlip shaft dia 5	10991348	Socket screw M2x16
10990901	O-ring 50.00x2.00 N 70	10991389	Driven gear z42
10990911	Gr. ball bearing 16013	10991398	Handle
10990912	O-ring 88.00x2.0 N 70	10991401	O-ring 115.00x3.00 N 70
10990913	O-ring 68.00x2.00 N 70	10991402	Socket screw flhd M4x20
10990915	Angular ball bearing 7912	10991403	Needle sleeve HK 1516
10990916	Socket screw flhd M4x6	10991404	Rotary valve
10990917	Disc spring Ø12.5/6.2x0.7	10991432	Terminal block 3pole/6mm <sup>2</sup>
10990918	O-ring 34.00x2.00 N 70	10991433	Drain plug M25x1.5
10990919	O-ring 44.00x2.00 N 70	10991434	Rounded washer M8
10990922	Sh. seal A 12/28/7 NBR RF	10991478	Mot.cable assy WSE2226 8m
10990926	Socket screw flhd M4x12	10991480	Rotor WSE2226 motor
10990927	Socket screw flhd M4x8	10991481	Stator WSE2226 motor
10990934	Cable assy drive motor	10991483	Four point bearing 74062A
10990971	Countersunk screw M5x50	10991793	Needle cage K15x19x17
10990977	Cyl. roller bear. NJ202	10991969	P2-Motor WSE2226
10991004	O-ring 150.0x2.00 N 70	10991990	Gear wheel cover
10991025	Lock pin	10991991	Motor rest

**WSE2226★★★**

10992033	Geared motor 200W i=32	10992711	Shim ring dia 45/57x0.5
10992034	O-ring 14.00x1.50 N 70	10992745	Shim ring dia 15/22x1.0
10992035	O-ring 17.00x1.50 N 70	10992960	O-ring 155.00x2.00 N 70
10992036	Nut M12 special	10992961	O-ring 160.00x2.00 N 70
10992042	O-ring 5.00x2.0 N 70	10992962	O-ring 110.00x2.00 N 70
10992049	Sleeve	10992963	Pr. spring 5.8/0.8x17.5
10992050	A-flange	10993113	O-ring 97.00x2.00 N 70
10992051	B-flange	10993827	Socket screw flhd M5x8
10992052	Cover	10993832	Staight pin 5h6 x 14
10992053	Clamp support	10994203	O-ring 74.00x3.00 N 70
10992054	Sealing ring	10996324	Overload clutch EAS-6.01
10992055	Gearbox flange	10997595	Oil-ring
10992057	Intermediate housing	10997596	Oil-spindle
10992058	Clutch housing	10998160	Protective plate
10992059	Selector shaft		
10992060	Shifting collar		
10992061	Clutch cover		
10992062	Clutch shaft		
10992063	Reset fork		
10992091	Indexing pin		
10992117	Pulling bolt		
10992118	Lever		
10992119	Control button		
10992120	Socket screw M5x140		
10992121	Socket screw M8x65 12.9		
10992122	Socket screw flhd M5x40		
10992124	Straight pin 3h6 x 16		
10992194	Sh. seal A 20/28/7 NBR RF		
10992277	Bow-type handle		
10992292	Cable sleeve 12x20x3 DA		
10992295	Sh. seal A 17/32/7 NBR RF		
10992297	Spacer disc dia 26		
10992304	Pr. spring 6.3/1.0x30.5		
10992386	O-ring 175.00x2.50 N 70		
10992387	Pin		
10992388	Pr. spring 5.0/0.63x26		
10992406	Geared motor 200W i=21		
10992419	Gr. ball bear. 6301-2RS		
10992521	Needle bearing NA 4902		
10992544	Straight pin 8h6 x 20		
10992709	Shaft key 5x5x30		
10992710	Coiled spring pin 4x10 hy		

