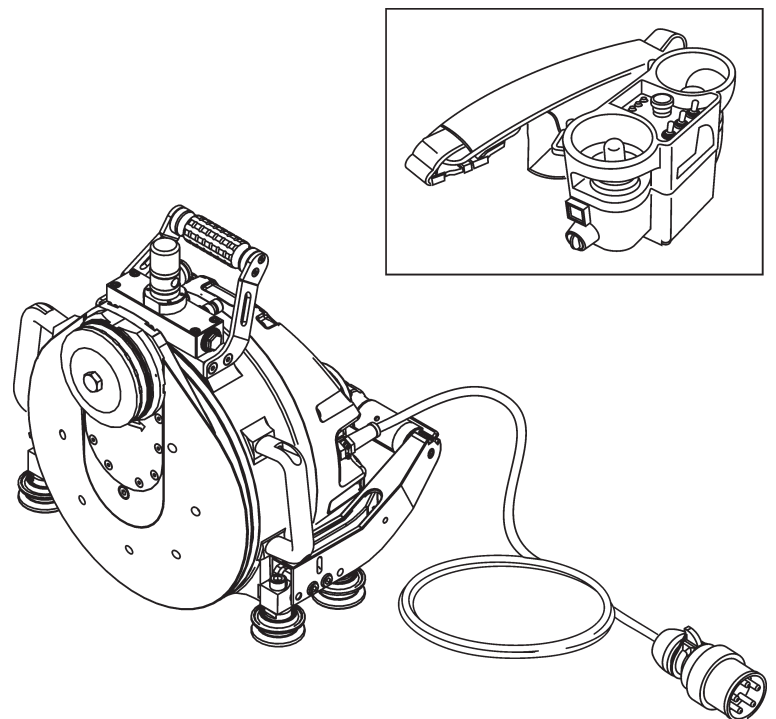


Operating Instructions

Wall saw WSE811 ★ ★ ★

Index 002



Congratulations!

You have decided to purchase a tried-and-tested TYROLIT Hydrostress unit and have thus acquired a highly sophisticated and reliable state-of-the-art device. Only genuine TYROLIT Hydrostress replacement parts can guarantee quality and interchangeability. If maintenance work is neglected or carried out inexpertly, we will be unable to honour our warranty obligations. All repairs must be carried out by trained personnel only.

Our after-sales service is available to help ensure that your TYROLIT Hydrostress units remain in perfect working order.

We hope that working with your TYROLIT unit will be a satisfying and fault-free experience.

TYROLIT Hydrostress

Copyright © TYROLIT Hydrostress

TYROLIT Hydrostress AG
Witzbergstrasse 18
CH-8330 Pfäffikon
Switzerland
Tel. 0041 (0) 44 952 18 18
Fax 0041 (0) 44 952 18 00

Table of contents

	Page
1. Safety	5
1.1 Generally applicable safety instructions	5
1.2 Signs on the equipment	6
1.3 Action in an emergency	6
2. Description	7
2.1 Wall saw system	7
2.2 Intended use	7
2.3 Wall saw system components	7
2.4 Wall saw head with integrated control unit	8
2.5 Remote controller	9
3. Assembly/disassembly	12
3.1 Placing the wall saw on the guide rail	12
3.2 Adjusting the guide rollers	13
3.3 Mounting the saw blade	14
3.4 Mounting the blade guard	17
3.5 Mounting the blade guard	17
3.6 Establishing the mains connection and water supply	18
4. Operation	21
4.1 Overview of controls	21
4.2 Starting the wall saw	22
4.3 Frequency change of the remote controller	23
4.4 Selecting the tool station	24
4.5 Adjusting the feed	24
4.6 Manually adjusting the feed speed	25
4.7 Locking the feed	25
4.8 Switching off the wall saw	26
4.9 Blowing out water	26
4.10 Deactivating the EMERGENCY STOP	27
4.11 After finishing the work	27
4.12 Reacting to displays	28

5. Servicing and maintenance	31
5.1 Cleaning	31
5.2 Blowing out water	32
5.3 Replacing the guide rollers	32
5.4 Lubricating the lock unit	33
5.5 Cleaning the water filter	33
5.6 Changing the gear oil	34
5.7 Taking waste for recycling	34
6. Malfunctions	35
7. Technical data	37
7.1 Dimensions	37
7.2 Weight	38
7.3 Design	38
7.4 Saw blade drive motor	38
7.5 Feed motor, travel	38
7.6 Feed motor, swivel	39
7.7 Noise level	39
7.8 Saw blades	39
7.9 Lubricants and fluids	40
7.10 Water	40
7.11 Recommended ambient temperature	40
7.12 Electrical data	40
7.13 Remote controller	41
7.14 Name plate	41
8. EC Declaration of Conformity	42

1 Safety

1.1 Generally safety instructions



These instructions are just one part of the documentation which is supplied together with the wall saw. These instructions go together with the "Safety Manual/System Description for Wall Saws" to form a complete set of documentation.



DANGER

Failure to comply with the safety instructions in the "Safety Manual/System Handbook" and the operating instructions may result in serious injury or even death.

- ▶ Please ensure that the "Safety Manual/System Description for Wall Saws" and the operating instructions have been read and understood in full.



DANGER

Laceration from the saw blade.

- ▶ Always wear protective gloves when working on the wall saw, particularly when working on the saw blade.
- ▶ Always use the blade guard when operating the wall saw.



DANGER

Serious injury or material damage as a result of uncontrolled movements of the wall saw.

- ▶ Never connect or disconnect cables when the wall saw is running.



DANGER

Death or serious injury can be caused by sudden start-up of the machine.

- ▶ Before switching on the system, ensure that no other persons are present in the danger areas.
- ▶ On leaving the system, switch it off and ensure that it cannot be switched on again.



DANGER

Death or serious injury as a result of the sawing machine continuing to run after an accident.

- ▶ Ensure that the EMERGENCY STOP button can be reached quickly.



DANGER

Electric shock from live cables and connectors.

- ▶ Switch off the wall saw WSE811 ★★★ before connecting or disconnecting cables.
- ▶ Ensure that the power supply is earthed and fitted with a residual current circuit breaker (FI Type B) with a maximum residual current of 30 mA.



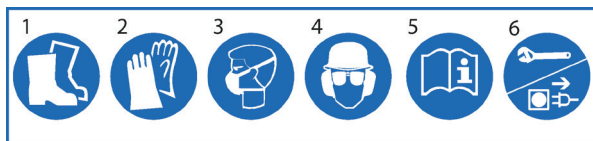
DANGER

Risk of fire due to incorrect mains voltage.

- ▶ Make sure that the mains voltage and mains frequency correspond with the mains settings of wall saw WSE811 ★★★.

1.2 Signs on the machine

Safety sign



1 Wear safety shoes

2 Wear gloves

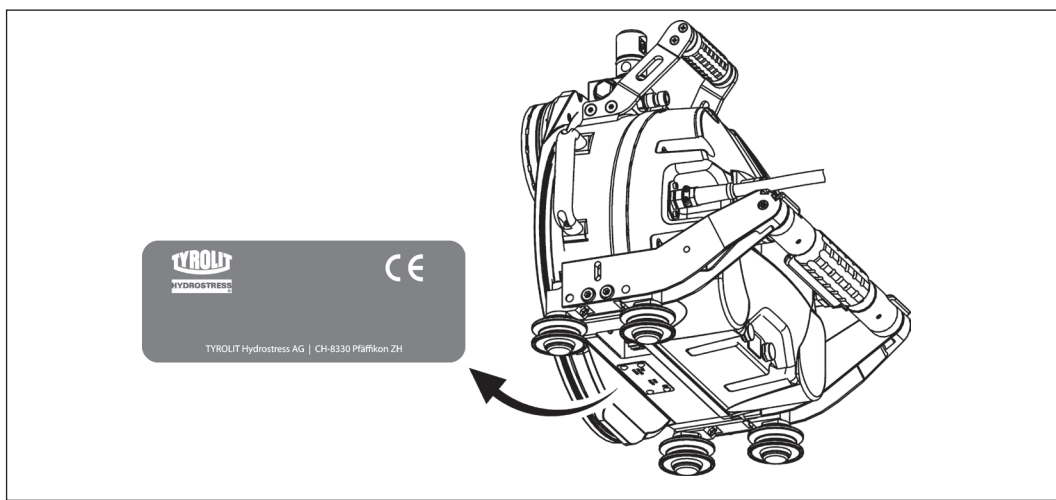
3 Wear a breathing mask

4 Wear a helmet, goggles and hearing protection

5 Read the instructions

6 Before working on the equipment unplug mains

Name plate



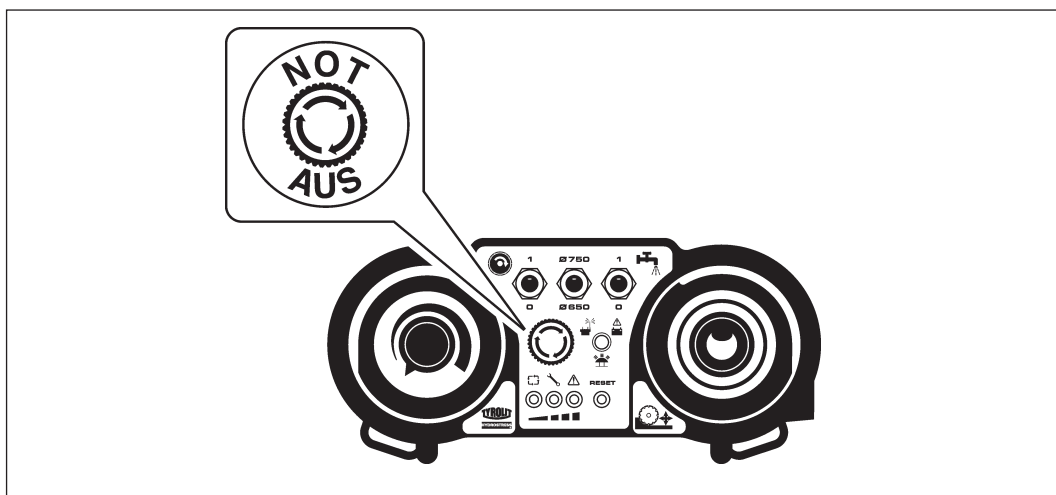
1.3 Behaviour in an emergency

- ▶ Press the EMERGENCY STOP button on the remote controller.

If the EMERGENCY STOP is activated on the radio remote controller, the LED warning light flashes rapidly.



In an emergency, the sawing machine can be also switched off using the main switch on the saw head of the WSE811 ★★★.



EMERGENCY STOP

2 Description

2.1 Wall saw system



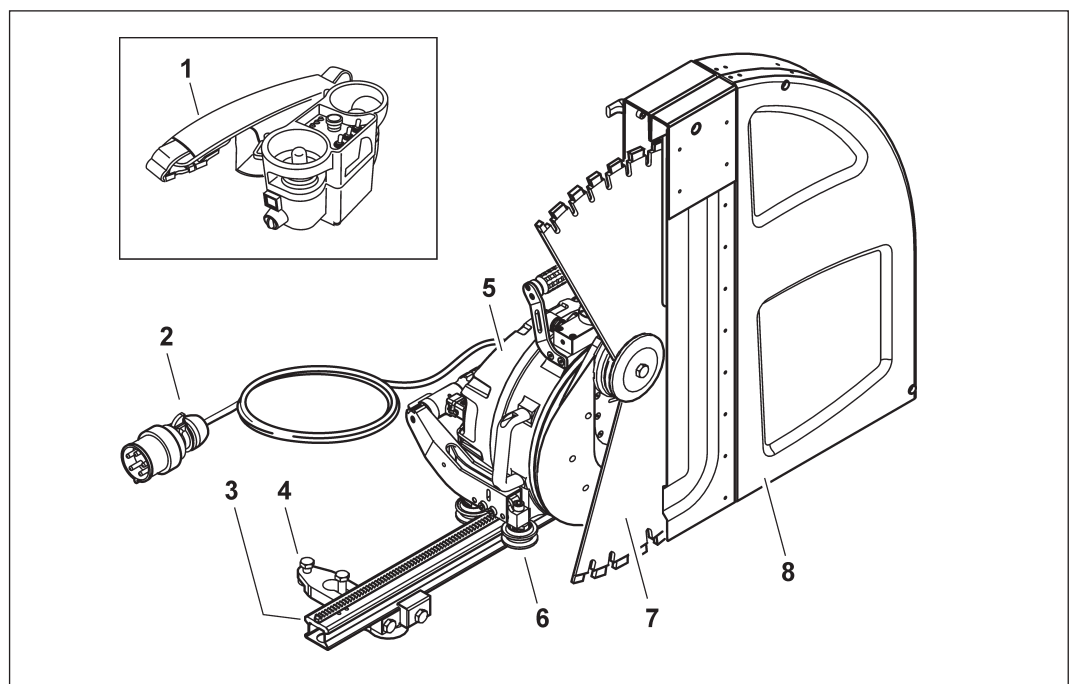
The design and function of the wall saw systems are described in the "Safety Manual/System Description for Wall Saws".

2.2 Intended use

Transportable wall saw for use on construction sites, for cutting (reinforced) concrete, stone and masonry. Only for industrial use.

Not suitable for use in potentially explosive atmospheres.

2.3 Wall saw system components

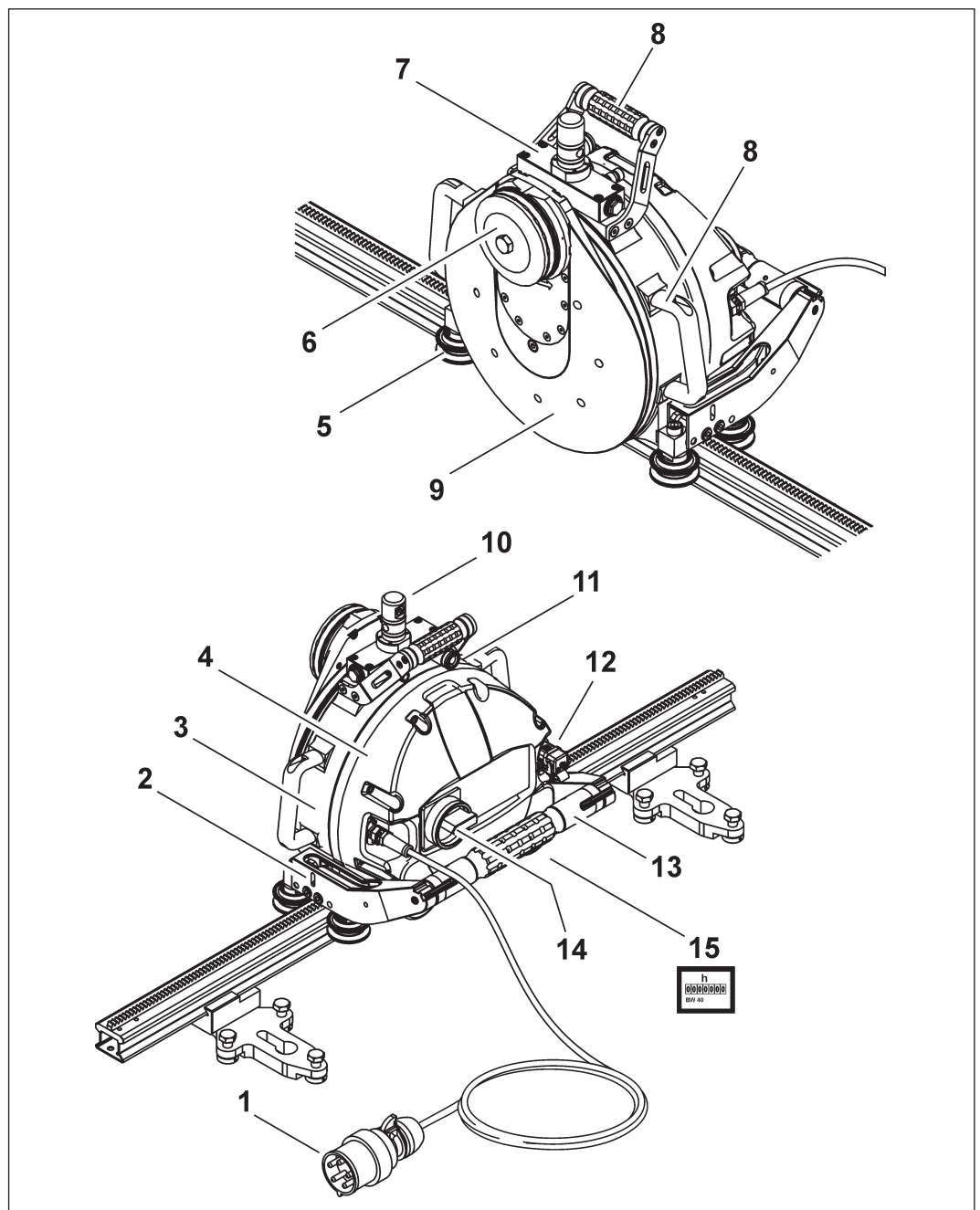


Wall saw system

- | | |
|------------------------------|--|
| 1 Radio remote controller | 5 Wall saw head with integrated control unit |
| 2 Mains cable with connector | 6 Undercarriage |
| 3 Rail | 7 Diamond wire saw |
| 4 Rotating rail support | 8 Blade guard |

2.4 Wall saw head with integrated control unit

2.4.1 Wall saw head components



Components

- | | |
|------------------------------|---|
| 1 Mains cable with connector | 10 Blade guard uptake |
| 2 Undercarriage | 11 Water connections |
| 3 Casing | 12 Connector to the remote controller cable |
| 4 Protective hood | 13 Roller locking handle |
| 5 Guide roller | 14 Main ON/OFF switch |
| 6 Diamond saw blade flange | 15 Hour counter |
| 7 Protective holder | |
| 8 Grip | |
| 9 Rotating chassis | |

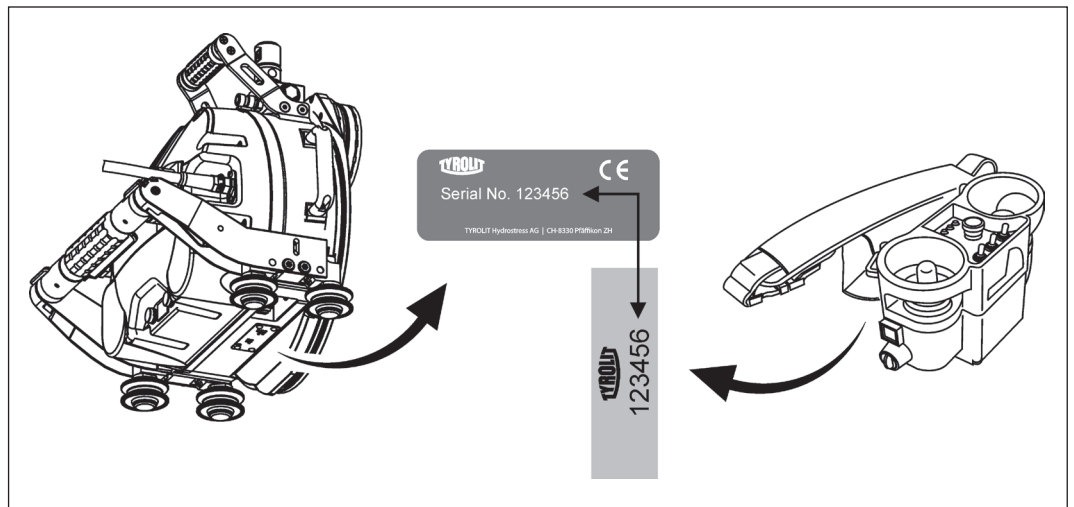
2.5 Remote controller

The remote controller can be used to control all functions of the wall saw WSE811★★★. The saw blade speed is automatically adjusted using the diameter selector switch on the remote controller. The remote controller can be used as a radio remote controller with a rechargeable battery or an ordinary battery. Additionally, the remote controller can be operated using a cable.



Radio remote controller

The transmitter and receiver are a pair of matched units. They cannot be used with other devices. The number on the back of the remote controller must match the serial number on the machine name plate.



Serial number

2.5.1 Operating modes

Rechargeable battery operation:

The interchangeable rechargeable battery is inserted in the base of the casing of the remote controller. The operating period with a fully charged battery is approximately 12 hours. The reception distance is approx. 25 m.

Ordinary battery operation:

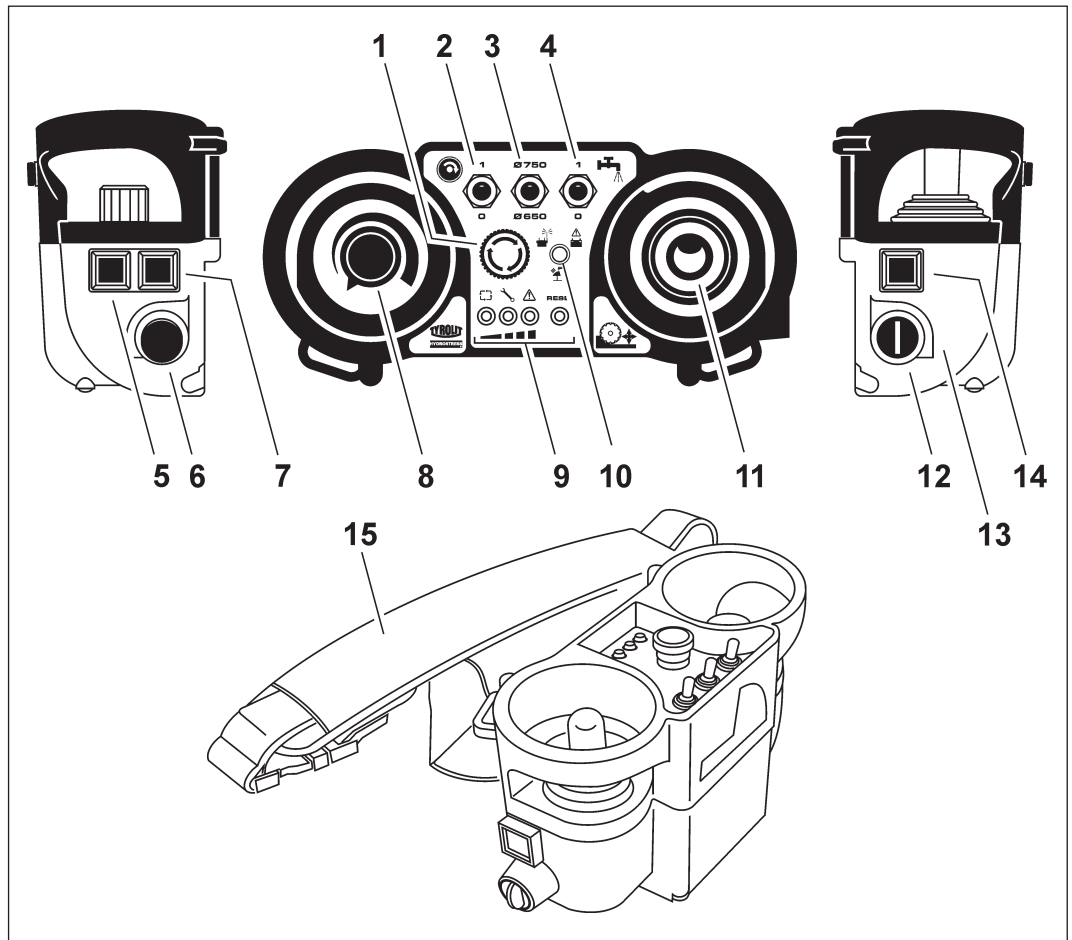
The battery holder is included in the scope of supply and allows operation with three 1.5-V AA batteries. The reception distance is approx. 25 m.

Cable operation:

The cable insert is included in the scope of supply and allows connection of the remote controller to the control unit WSE811★★★. The cable length is 10 m. Cable operation makes it possible to work in areas where radio operation is not allowed (e.g. hospitals). When working with the cable connection, all control signals are transmitted via the electric cable.

The rechargeable/ordinary battery holders must not be inserted in the base of the casing during cable operation.

2.5.2 Main components of remote controller



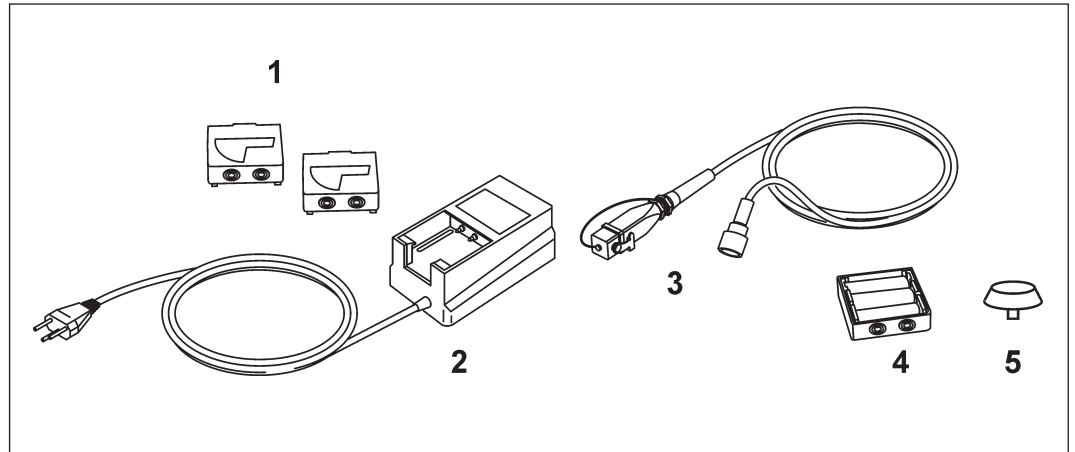
Main components of remote controller

- | | |
|----------------------------------|------------------------------------|
| 1 EMERGENCY STOP | 10 Warning light (radio & battery) |
| 2 On/Off, main motor | 11 Feed joystick |
| 3 Diameter selector switch | 12 Start switch |
| 4 Water On/Off | 13 Casing |
| 5 Locking button (traverse feed) | 14 Remote controller pulse button |
| 6 Cable connection | 15 Hip belt |
| 7 Reset button | |
| 8 Feed motor potentiometer | |
| 9 Indicator lights | |

2.5.3 Accessories for remote controller



The battery charger is exclusively for recharging the interchangeable rechargeable batteries. The battery holder and the cable connection must not be inserted.

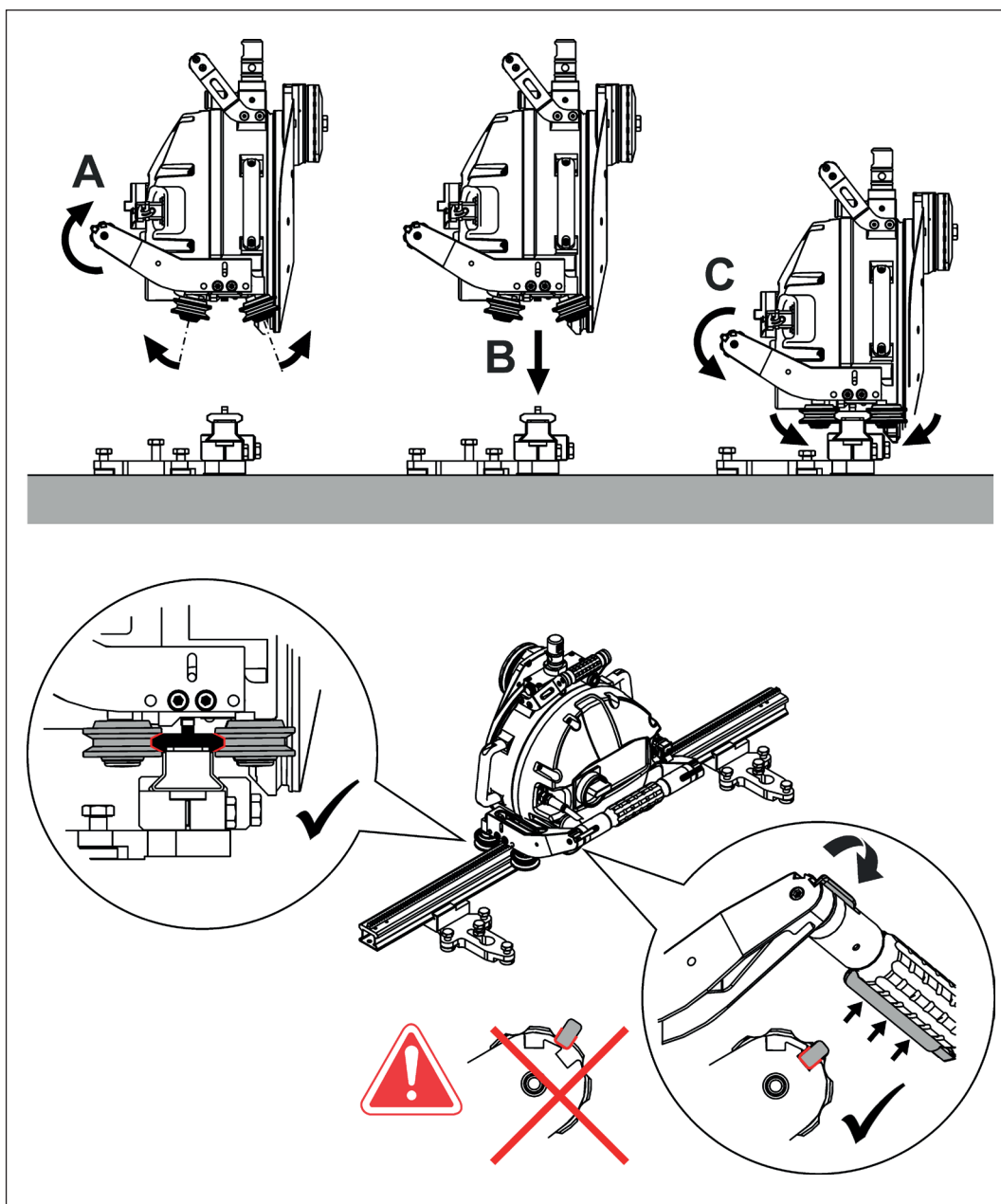


Accessories

1	2x interchangeable rechargeable batteries	No. 10984306
2	Rechargeable battery charger	No. 10984305
	Rechargeable battery charger with 10–30 VDC connection	No.10984840
3	Remote controller cable	No. 10991362
4	Battery holder	No. 10984307
5	Key	No. 10984309

3 Assembly/disassembly

3.1 Placing the wall saw on the guide rail



Assembly of wall saw



If the swivelling handle fails to engage or the wall saw sits too loosely on the guide rail: adjust the guide rollers.

3.2 Adjusting the guide rollers

✓ Tool

Fork wrench

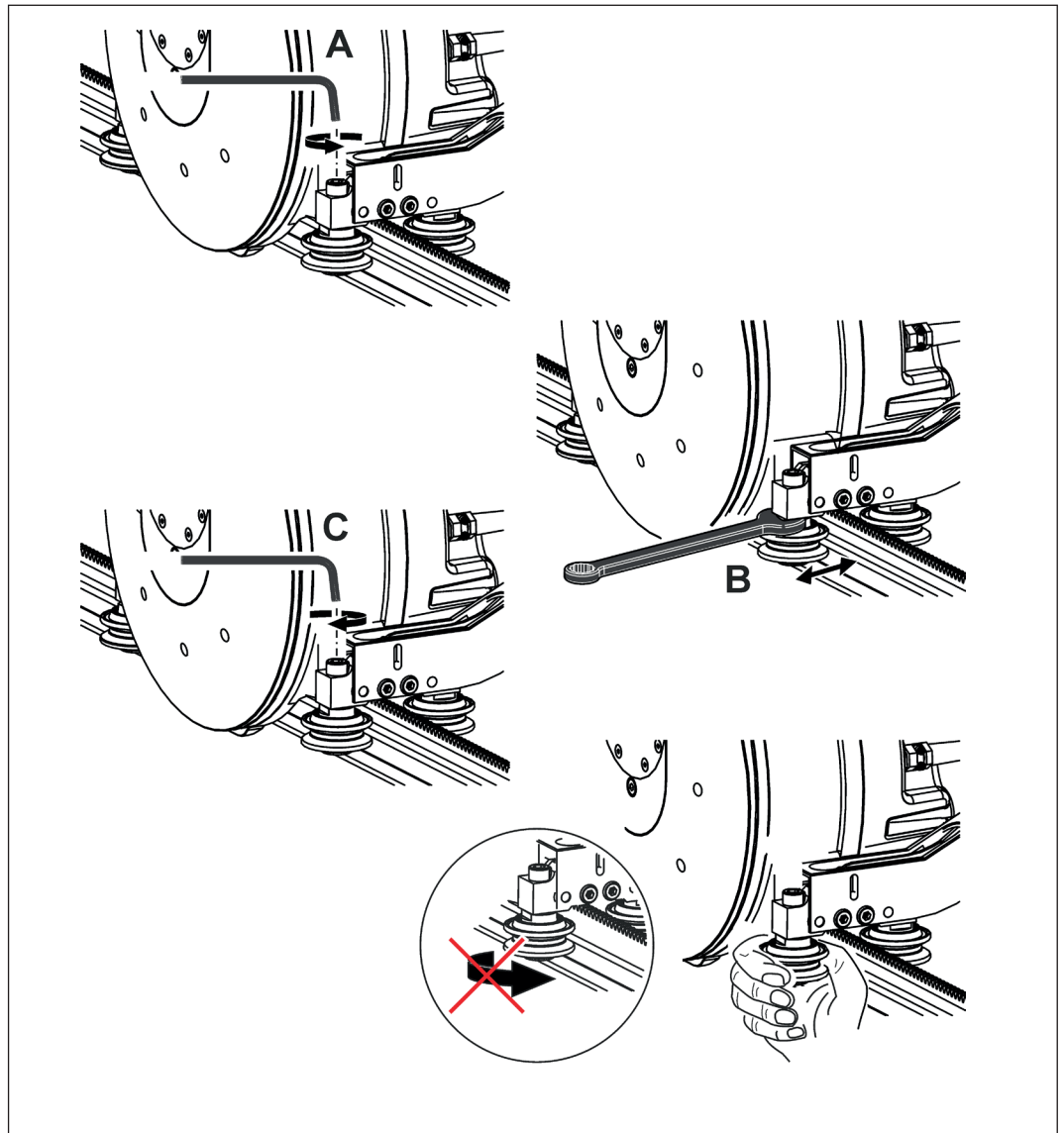


Size 22
TYROLIT no. 10995086

Allen key



Size 8
TYROLIT No. 10997296



Adjusting the guide rollers



The guide rollers are set correctly when it is just not possible to turn them by hand. In order for the machine to travel parallel to the rail, both guide rollers must be adjusted identically.

3.3 Assembling the saw blade



DANGER

Death or serious injury can be caused by an escaping saw blade.

- ▶ Only use original screws and bolts from TYROLIT Hydrostress AG.



DANGER

Serious injury can be caused by sudden start-up of the saw blade.

- ▶ Switch off the wall saw before working on the saw blade.
- ▶ Isolate the wall saw from the mains supply.



The direction of rotation of the saw blade must match the direction of rotation of the machine.
Correct alignment: Countersinking of the fixing holes against the blade cover.

3.3.1 Saw blade fixing for normal cutting

Saw blade diameter Ø650 mm/Ø750 mm

✓ Tool

Fork wrench

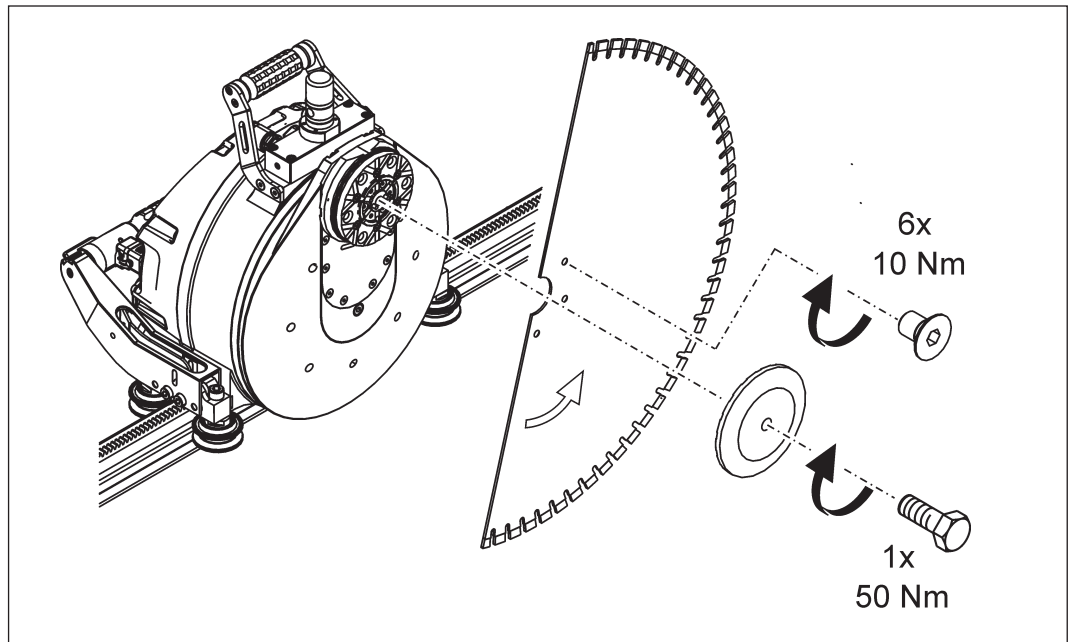


Size 19

Allen key



Size 5



Saw blade fixing for normal cutting

3.3.2 Saw blade uptake



Diamond saw blades can be mounted on the wall saw WSE811 ★★★ using uptake drill holes with $\varnothing 60$ mm and $\varnothing 25.4$ mm.
For diamond saw blades with uptake drill hole $\varnothing 25.4$ mm, the support spindle of the blade flat flange needs to be rotated by 180° .

✓ Tool

Fork wrench



Size 19

Allen key

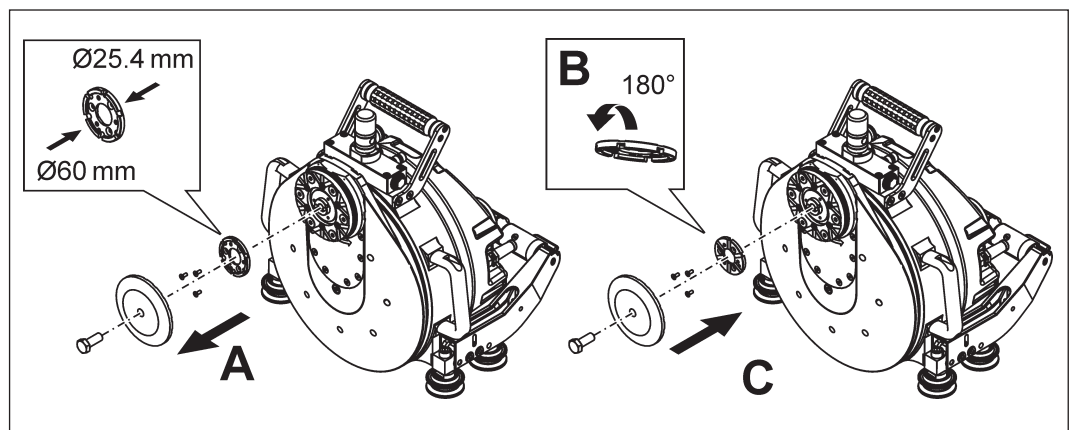


Size 5

Allen key



Size 2.5



Saw blade uptake

Disassembly help



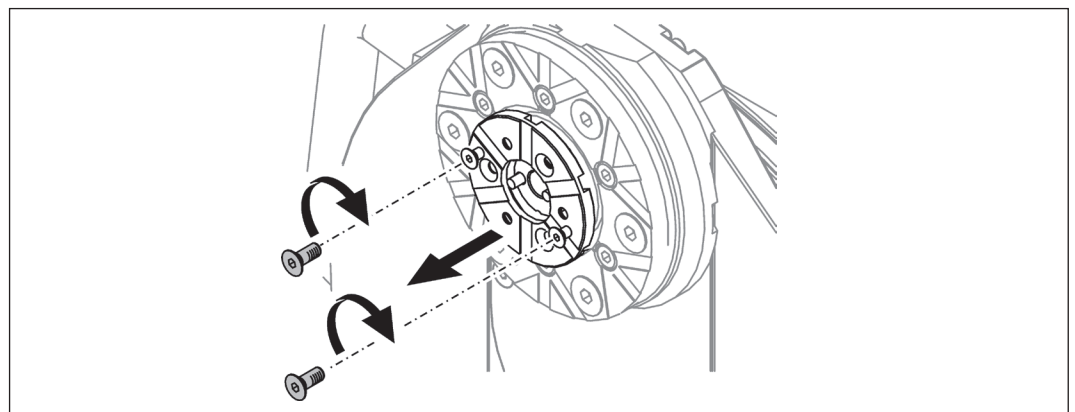
Two screws can be used as a disassembly help for the support spindle.

✓ Tool

Allen key



Size 2.5



Disassembly help

3.3.3 Saw blade fixing for flush cutting

Saw blade diameter $\varnothing 650$ mm/ $\varnothing 750$ mm

✓ Tool

Allen key



Size 5

Allen key

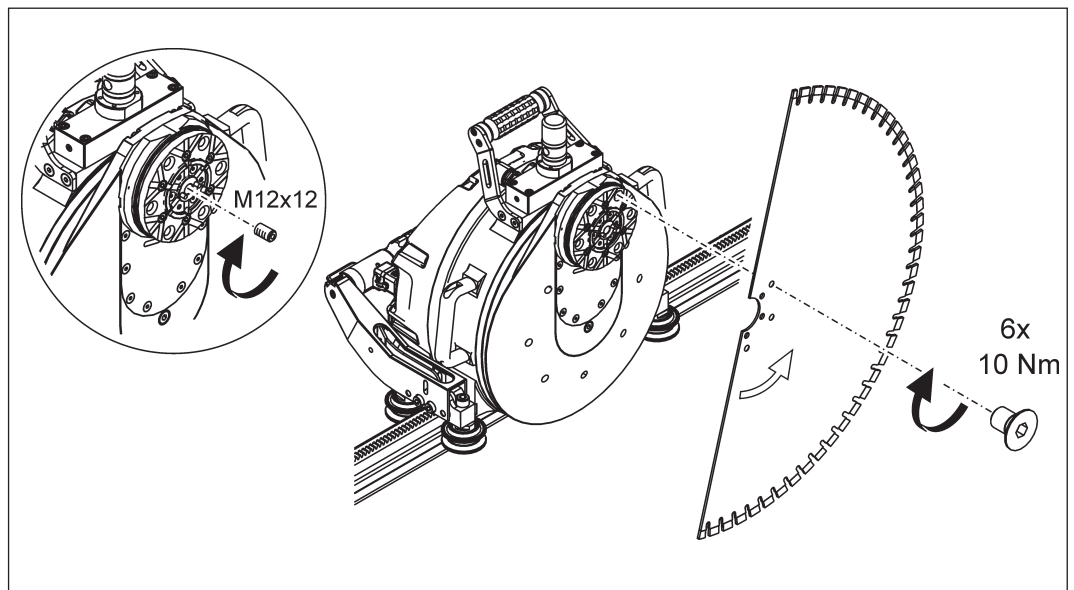


Size 6

Set screw



M12x12



Saw blade fixing for flush cutting



If the distance from the saw blade to the wall is more than 10 mm in places, then, for controlled cooling water distribution, a set screw M12x12 mm (TYROLIT no. 10981971) must be screwed flush in the centre of the saw blade uptake.

3.4 Assembling the blade guard

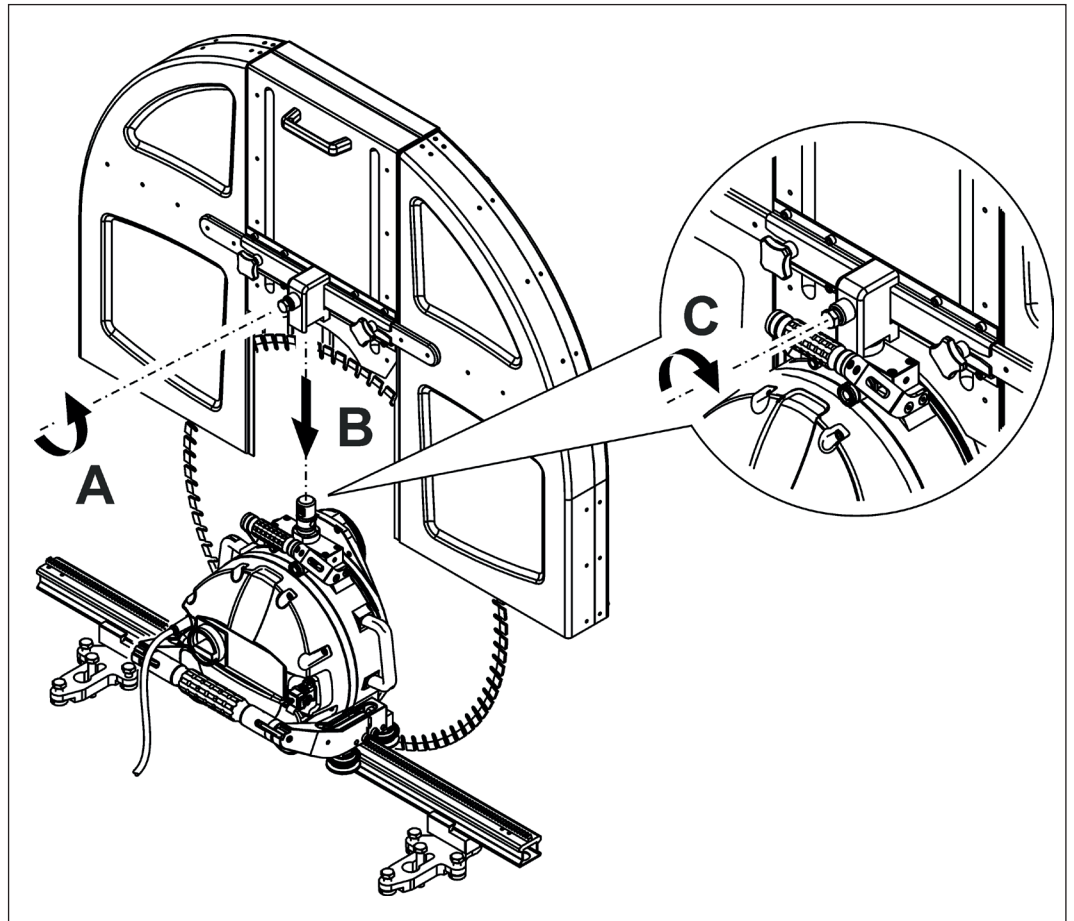
► Assemble the blade guard according to the instruction leaflet.

✓ Tool

Fork wrench



Size 19



Assembling/disassembling the blade guard

3.5 Disassembling the blade guard



Disassemble the blade guard in the reverse order to the installation/assembly process.

3.6 Connecting the mains and water supply

3.6.1 Mains

- ✓ Connectors/plugs are clean
- ✓ Cables are undamaged
- ✓ The power supply is earthed and fitted with a residual current circuit breaker (FI type B; max. residual current 30 mA)
- ✓ Sufficient cable cross-sections: up to 25 m long 4 x 2.5 mm², more than 25 m long 4 x 4 mm²

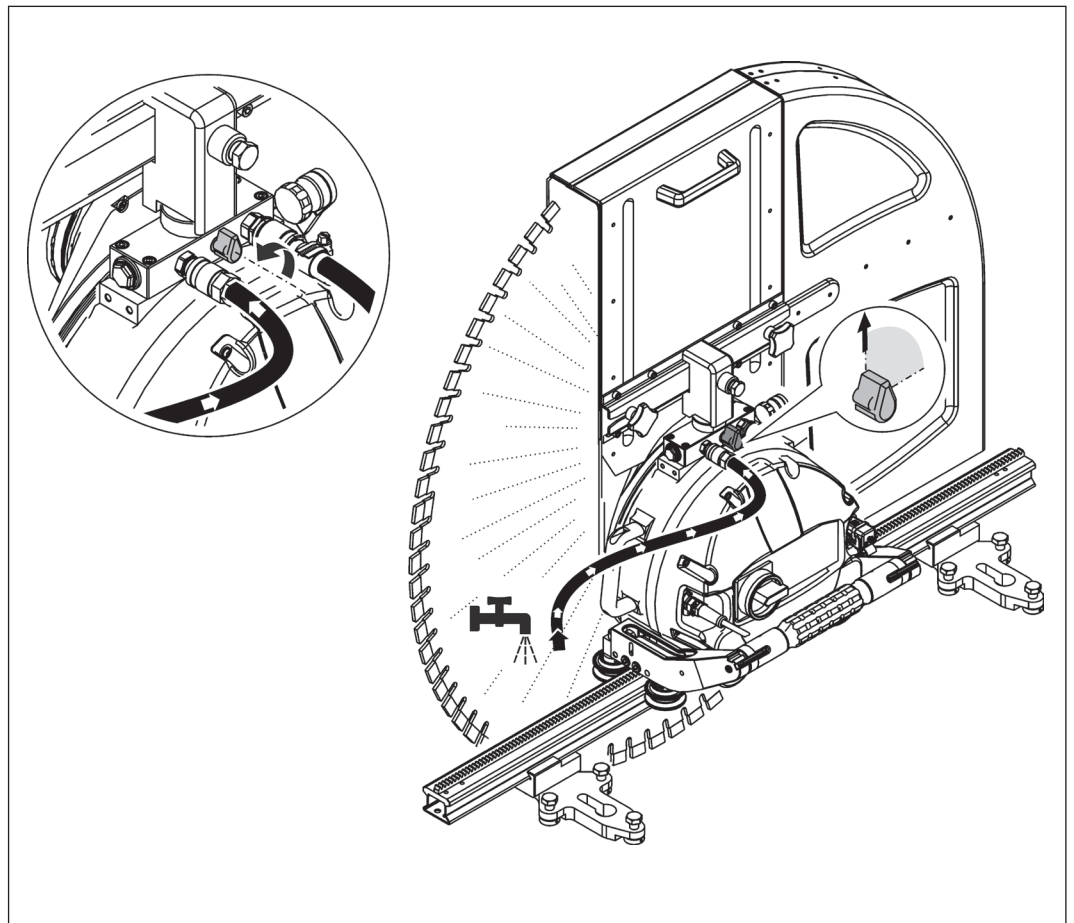
3.6.2 Water

Wet and dry cutting



The wall saw WSE811 ★★★ can be used for wet and dry cutting.

Wet cutting



Wet cutting

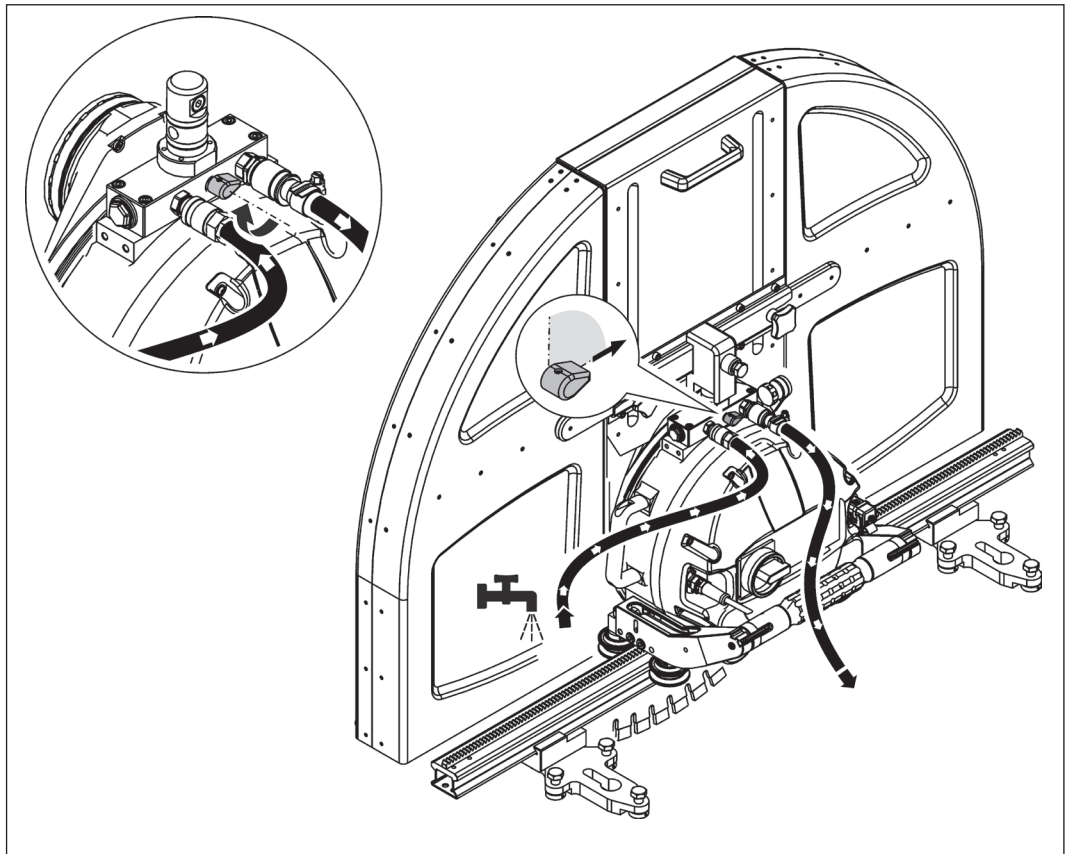
Dry cutting



For dry cutting, the water is led away via a bypass. When dry cutting, continuous operation is not possible, because otherwise the gearbox will overheat. After using for a ¼ hour, a ½ hour break must be maintained for cooling:



For dry cutting, special TYROLIT diamond saw blades must be used.



Dry cutting

Cutting without the blade guard



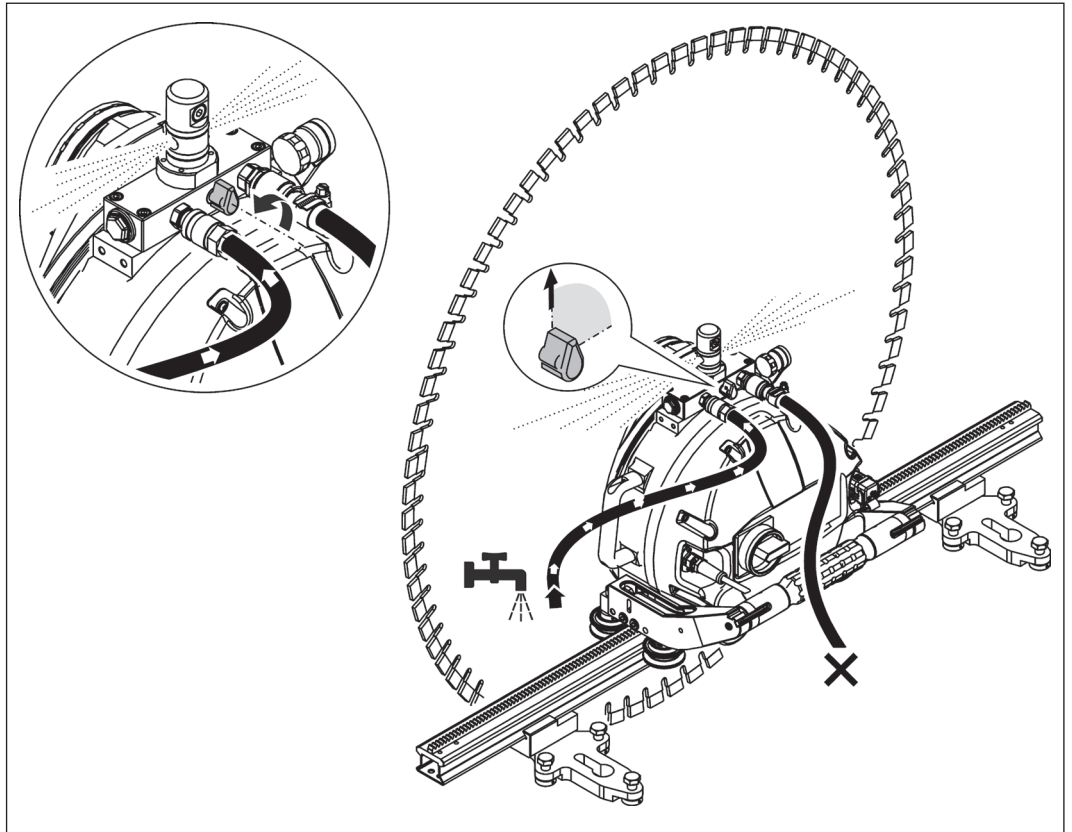
DANGER

Danger from segments or concrete chips flying off from the cutting tool.

► **Sawing without the blade guard is prohibited.**



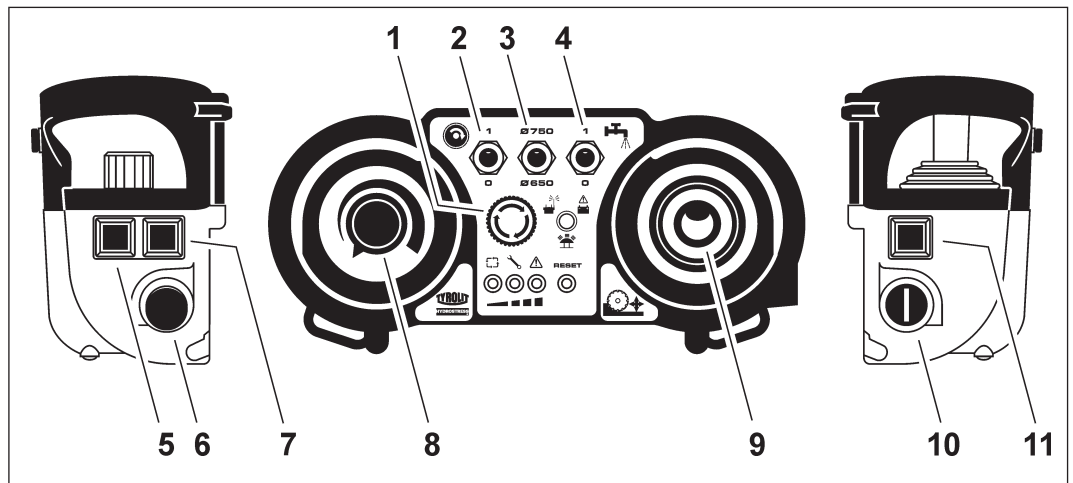
If the blade guard is not mounted, the water emerges in an uncontrolled manner over the blade guard uptake.



Cutting without the blade guard

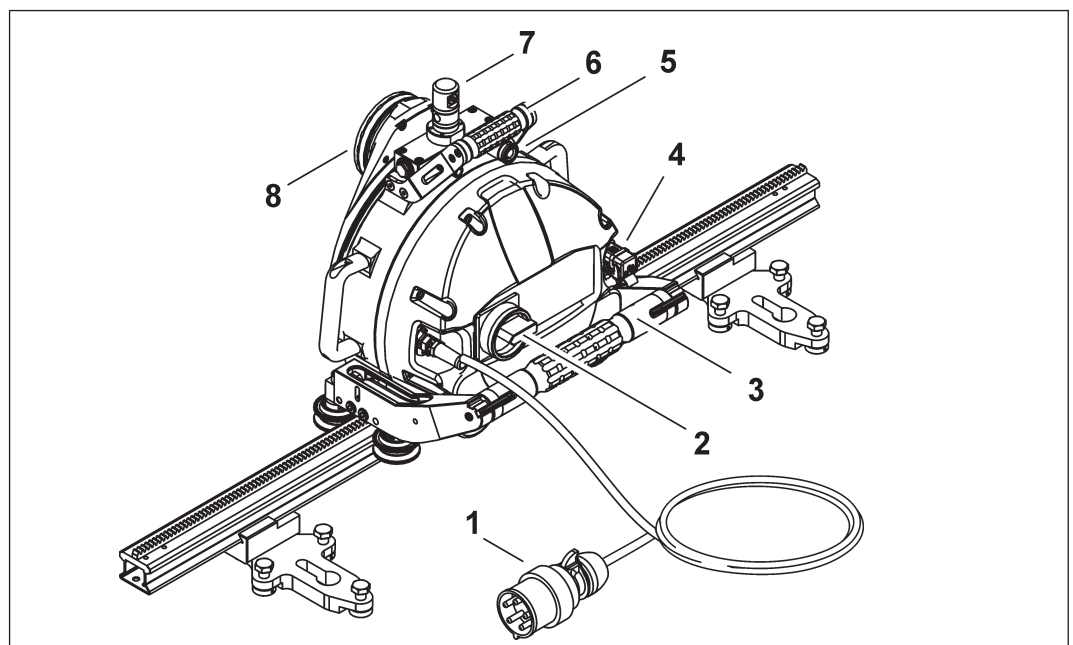
4 Operation

4.1 Overview of controls



Controls on the remote controller

- | | |
|----------------------------------|-----------------------------------|
| 1 EMERGENCY STOP | 8 Main motor potentiometer |
| 2 On/Off, main motor | 9 Feed joystick |
| 3 Diameter selector switch | 10 Start switch |
| 4 Water On/Off | 11 Remote controller pulse button |
| 5 Locking button (traverse feed) | |
| 6 Cable connection | |
| 7 Reset button | |

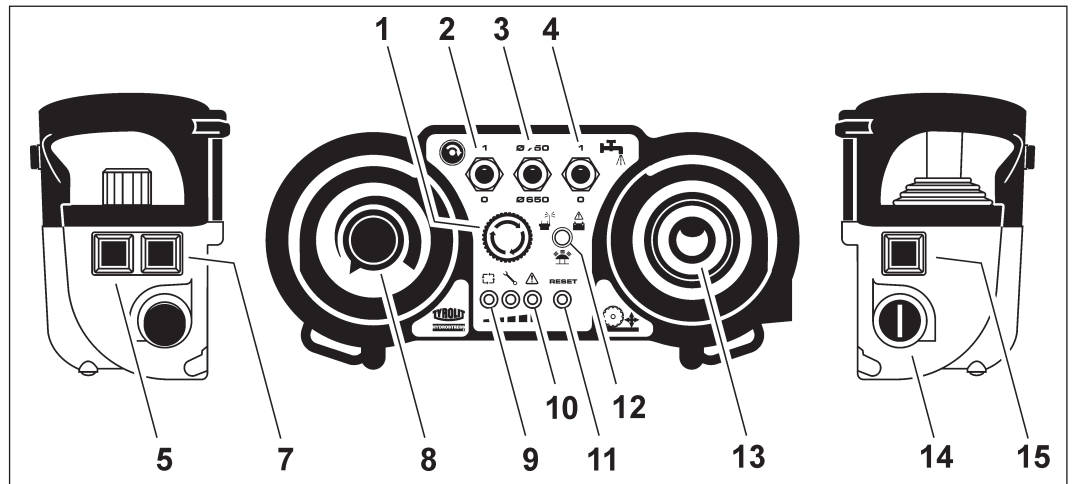


Controls on the wall saw

- | | |
|--|---------------------------------|
| 1 Mains cable with connector | 5 Water connection/water bypass |
| 2 Main ON/OFF switch | 6 Grip |
| 3 Roller locking handle | 7 Blade guard uptake |
| 4 Connector to the remote controller cable | 8 Diamond saw blade flange |

4.2 Starting the wall saw

- ✓ The rail is firmly connected to the subsurface.
- ✓ The wall saw head is correctly mounted on the rail.
- ✓ The protective cup on the remote controller cable connector is locked securely.
- ✓ The diamond tool is correctly secured using the blade flange.
- ✓ The blade guard is correctly mounted.
- ✓ The wall saw WSE811 ★★★ is connected to the mains and the water supply.
- ✓ The remote controller EMERGENCY STOP (1) has been deactivated.



Starting the wall saw WSE811 ★★★

- ▶ Move the controls listed below on the remote controller to the 0 position.

Feed potentiometer (8)

Starter switch (14)

Main motor On/Off (2)

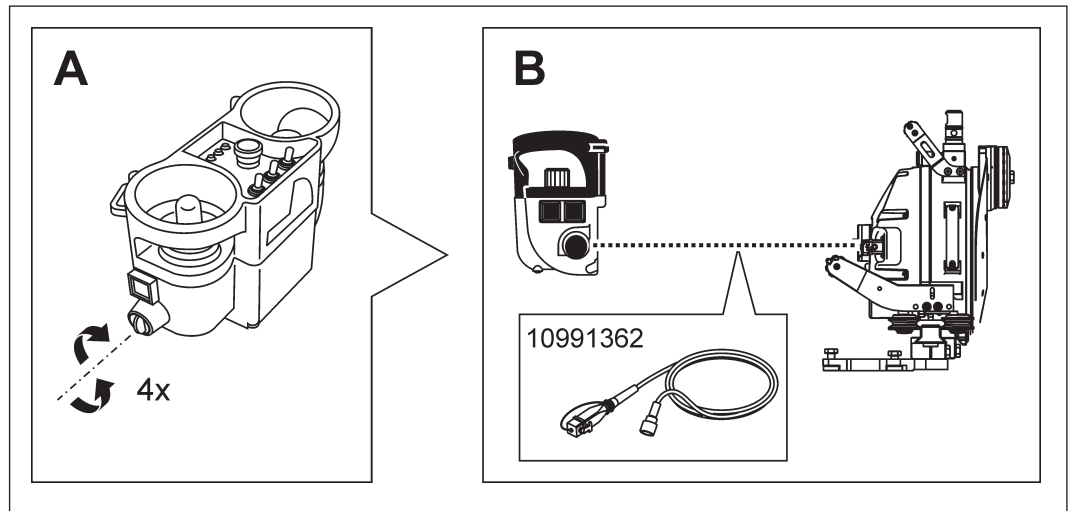
Water switch (4)

- ▶ Switch on the wall saw WSE811 ★★★ using the main switch on the wall saw head.
- ▶ Switch on the radio remote controller using the starter switch (14).

- Warning light (12) lights up red at first
- An audible signal sounds simultaneously
- Indicators flash coloured
- Second audible signal sounds
- Warning light (12) flashes green

- ▶ Press the pulse button (15) on the remote controller briefly.
 - The reset indicator (11) lights up blue.
- ▶ Press the reset button (7) on the remote controller.
 - The ready indicator (9) flashes green.
- ▶ Press the pulse button (15) briefly.
 - The ready indicator (9) lights up green.
- ▶ Open the water valve on the system supply line.
- ▶ Press the water On/Off switch (4) on the remote controller to 1.
 - Water flows from the diamond tool.
- ▶ Using the diameter selector (3), choose the diamond tool diameter.
- ▶ Press the main motor On/Off switch (2) on the remote controller to position 1.
 - The electric motor starts.
- ▶ The wall saw WSE811 ★★★ has started and is ready for operation.

4.3 Frequency change of the remote controller



Frequency search



The radio remote controller systems are equipped with a frequency generator for selecting a frequency.

If the systems are malfunctioning or the radio connection is interrupted (external transmitter, range, rechargeable battery empty), the system immediately goes into the EMERGENCY STOP state.

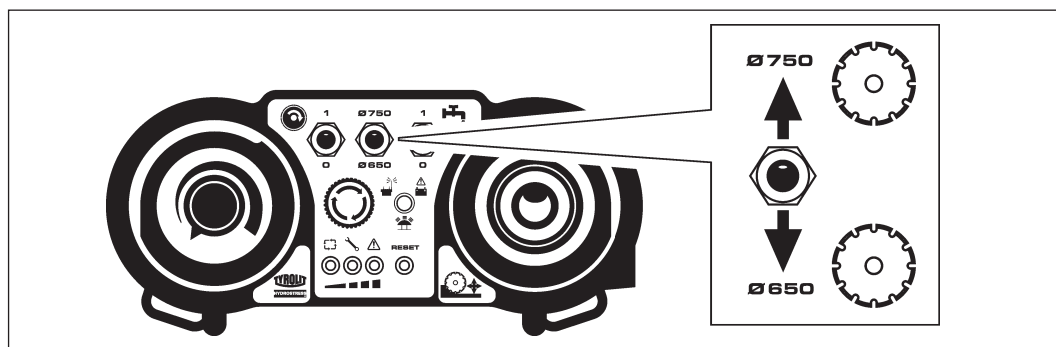
New frequency search:

The next frequency is selected by switching the start switch on the remote controller off and then on again.

The process of switching off and on is limited to four attempts (channels). If the system does not find a suitable frequency after four attempts, then a changeover to cable operation is necessary.

4.4 Selecting the tool station

After the wall saw WSE811 ★★★ has been started correctly, you can select between the tool stations $\varnothing 650$ mm or $\varnothing 750$ mm.



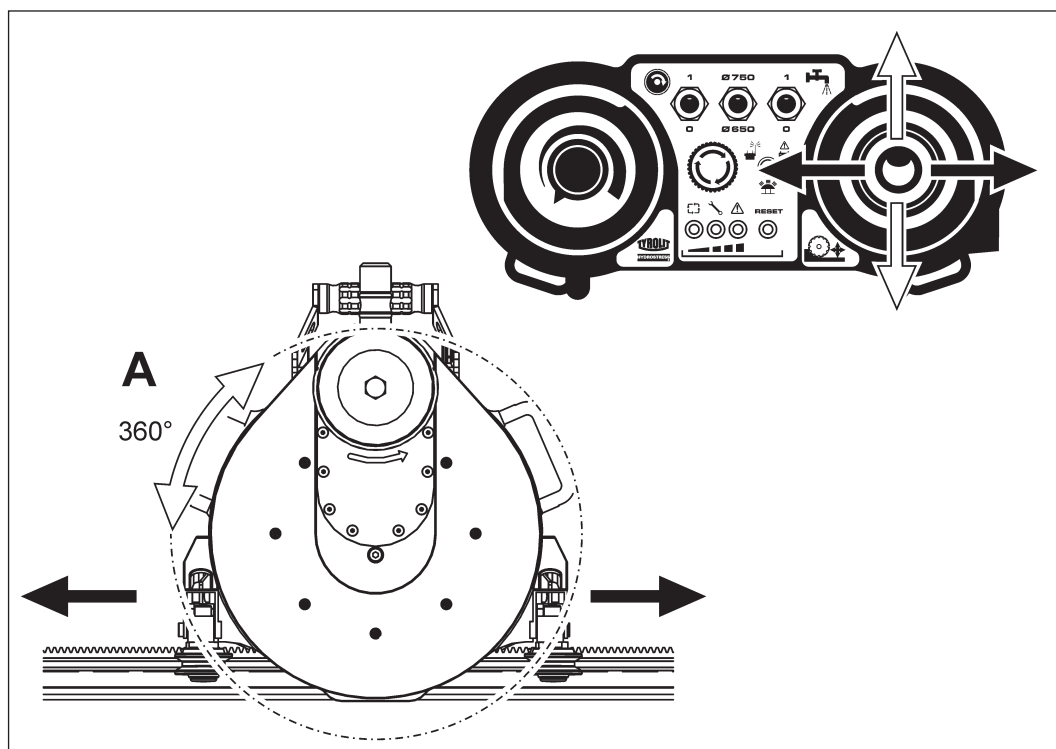
Selecting the tool station



The tool stations must not be changed during operation. The tool stations are set with reference to the tool diameter for the optimum rotational speed and cutting performance.

4.5 Adjusting the feed

The feed movements are selected with the joystick.



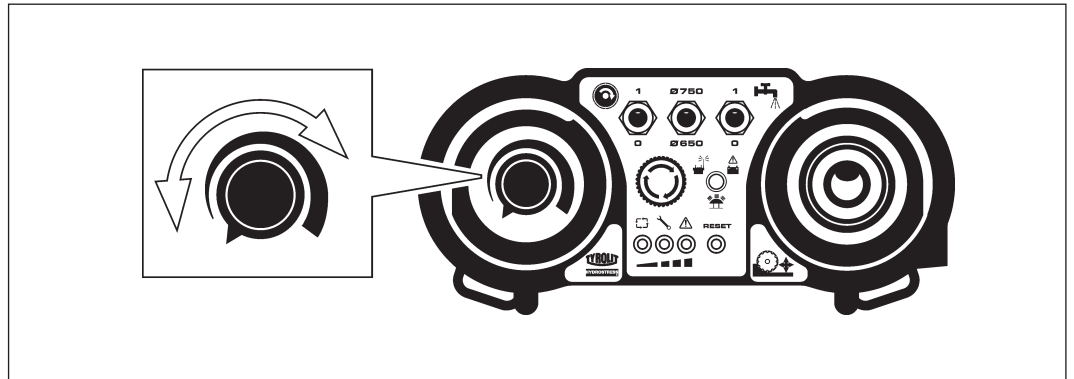
Adjusting the feed



During the cutting process, the feed speed is automatically supported by an assisted feed.

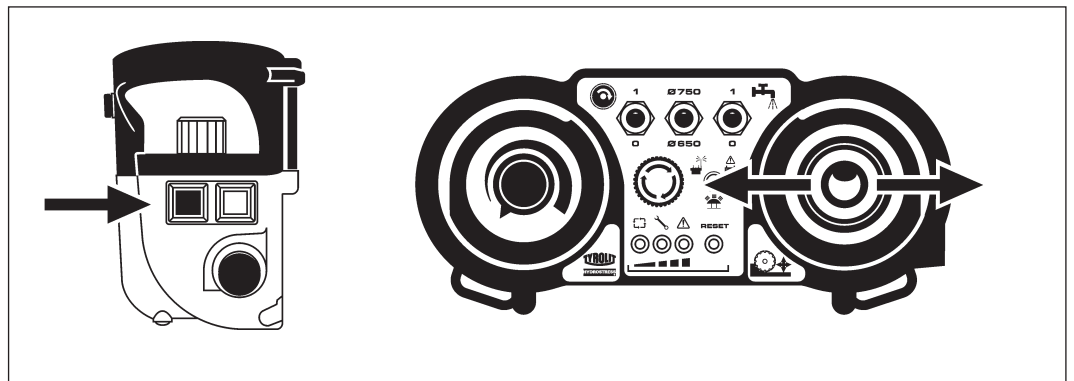
4.6 Manually adjusting the feed speed

- ✓ The wall saw WSE811 ★★★ has been started
- ▶ Select the required feed speed via the potentiometer.



Manually adjusting the feed speed

4.7 Locking the feed



Locking the feed

So that the joystick does not have to be held in position during the travel feed motion, the travel feed can be locked.

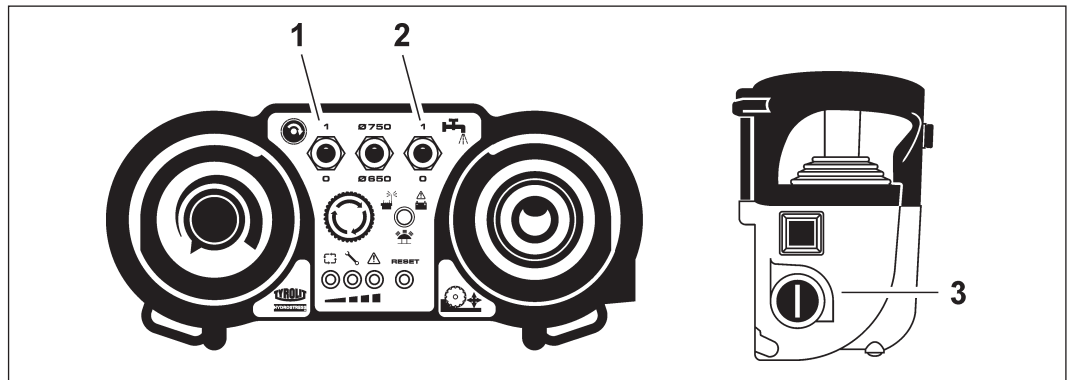
Proceed as follows:

- ▶ Push the joystick in the desired travel direction and, at the same time, press the locking switch.
- ▶ When the joystick and the locking switch are released, the feed is locked.



In order to release the feed lock, move the joystick slightly in any desired direction or press the locking button (traverse feed).

4.8 Switching off the wall saw



Switching off the wall saw

Proceed as follows:

- ▶ Press the start switch (1) on the remote controller to the 0 position.
- ▶ Turn off the cooling water, switch (2) water 0/1.
- ▶ Switch off the wall saw WSE811 ★★★ using the main switch (3).
- ▶ Switch off the WSE811 ★★★ wall saw using the main switch on the wall saw head.



Caution

Frost can damage the wall saw WSE811 ★★★!

- ▶ Blow out any water if there is a risk of frost (see chapter 4.9, Blowing out the water).



Only stop the wall saw WSE811 ★★★ using the EMERGENCY STOP function in an emergency.

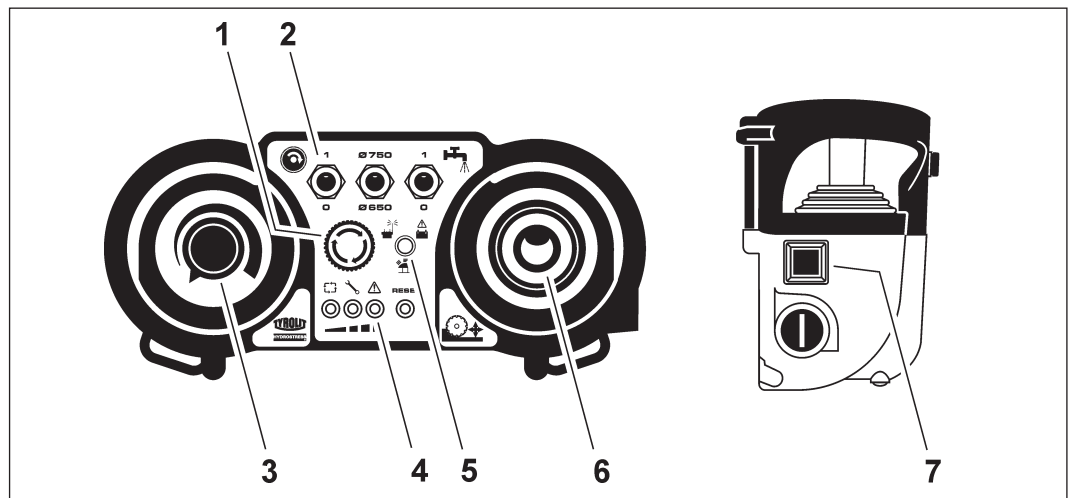
4.9 Blowing out the water

✓ The main switch is set to **OFF**

- ▶ Disconnect the mains plug.
- ▶ Disconnect all water lines.
- ▶ Connect the purge pump to the water nipple.
- ▶ Blow out water until all of the cooling water has been removed (see chapter 5.2).
- ▶ Remove the pump.

4.10 Deactivating the EMERGENCY STOP

If the EMERGENCY STOP is activated on the radio remote controller, the radio and battery light (5) flash quickly.



Deactivating the EMERGENCY STOP

The following controls must be moved to the 0 position:

- Potentiometer (3)
- Feed joy stick (6).
- Main motor On/Off (2).
- Turn the EMERGENCY STOP button (1) clockwise.
- Push the pulse button (7) to the ON position.

4.11 After finishing the work

Proceed as follows:

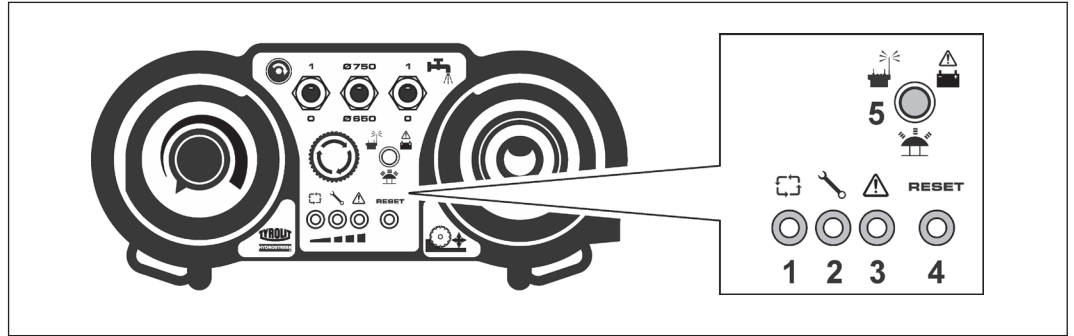
- ▶ Disconnect the water hoses from the wall saw WSE811 ★★★.
- ▶ Blow out the water from all the lines (see chapter 5.2).
- ▶ Turn the main switch on the wall saw WSE811 ★★★ to the 0 position.
- ▶ Disconnect the mains plug.
- ▶ Clean the wall saw WSE811 ★★★, the remote controller and the cables with a damp cloth.



Cleaning using high pressure cleaning equipment is not permitted.

Products containing cleaning agent can damage parts of the wall saw WSE811 ★★★, the radio remote controller and the cables.

4.12 Reacting to indicators



Indicators

Lights on the remote controller

- | | |
|-----------------|---------------------|
| 1 Ready light | 4 Reset light |
| 2 Service fault | 5 Radio and battery |
| 3 Group alarm | |

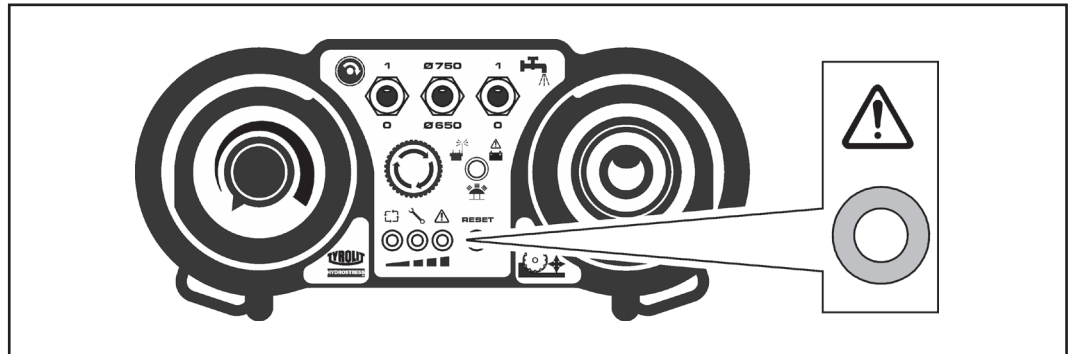
Power and fault indicators on the remote controller

Power and fault indicators on the remote controller			
Symbol	Response	Possible cause	Action
	Flashes orange	Rechargeable battery voltage too low	► Recharge rechargeable battery
	Flashes green rapidly	No radio connection The EMERGENCY STOP has been activated	► Switch on the remote controller ► Defective receiver ► Connection not matched to receiver, see page 9
	Flashes red	<ul style="list-style-type: none"> Group alarm on the remote controller On operating the pulse switch on the remote controller, the main motor On/Off switch is in the On position 	► Turn the potentiometer to the 0 position ► Put the main motor On/Off switch into the Off position
	Lights up yellow	Service indicator: After the first 100 operating hours, then after every 200 operating hours.	Carried out only by TYROLIT Hydrostress AG or an authorised representative
	Lights up green	The motor is ready to start	► After 30 seconds of inactivity, the pulse button must be pressed again
	Flashes green	The machine is in the standby position	► Press the pulse switch on remote controller
	Shows the current power range Ideally: At the second, orange-coloured diode (in iron the third, red diode).		

Overview of flash code

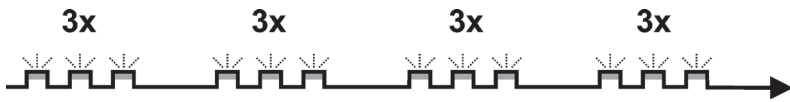







The flash code is used for fault detection and is displayed in red on the group alarm light on the remote controller.



Flash code indicators

Flash code for fault indicators					
Flash code		3x	3x	3x	3x
Example 3x					
		Fault	Possible cause	Action	
2x		Mains phase is missing	<ul style="list-style-type: none"> Fault during installation Fuse defective 	<ul style="list-style-type: none"> Check phases and fuses 	
3x		DC motors are overheating	<ul style="list-style-type: none"> Absence of cooling 	<ul style="list-style-type: none"> Allow machine to cool for 3 minutes Avoid direct contact with sunlight 	
		Blade motor is overheating	<ul style="list-style-type: none"> Absence of cooling No, too little or too hot cooling water 	<ul style="list-style-type: none"> See Technical data, chapter 7.10 	
4x		Short circuit fault		<ul style="list-style-type: none"> Contact TYROLIT Hydrostress AG after-sales service 	
		Short circuit detection	<ul style="list-style-type: none"> Earth fault 	<ul style="list-style-type: none"> Contact TYROLIT Hydrostress AG after-sales service 	
		Main motor overcurrent	<ul style="list-style-type: none"> Main motor blocked Overcurrent earth fault 	<ul style="list-style-type: none"> Contact TYROLIT Hydrostress AG after-sales service 	
		Main motor earth fault	<ul style="list-style-type: none"> Electrical connection earth fault 	<ul style="list-style-type: none"> Contact TYROLIT Hydrostress AG after-sales service 	

Flash codes for power and fault indicators				
Flash code Example 3x				
		Fault	Possible cause	Action
5x		Overcurrent DC axis	• Feed motor overloaded	• Reduce feed
		DC motor short circuit	• Blocked feed motor • Defective feed motor	• Contact TYROLIT Hydrostress AG after-sales service
6x		The safety relay no longer switches properly	• Hardware defect	• Contact TYROLIT Hydrostress AG after-sales service
		The safety contact no longer functions properly.	• Hardware defect	• Contact TYROLIT Hydrostress AG after-sales service
7x		Transformer fault	• Motor outside of possible parameters	• Contact TYROLIT Hydrostress AG after-sales service
8x		Direct current link voltage too low	• Incorrect mains voltage	• Check the power supply See Technical data, chapter 7.12
		Direct current link voltage too high	• Mains overvoltage • The saw blade feeds back too much energy.	• Check the power supply See Technical data, chapter 7.12 • Use only diamond saw blades with Ø650 mm and Ø750 mm
9x		Communication fault	• Communication fault due to interference	• Contact TYROLIT Hydrostress AG after-sales service

5 Servicing and maintenance

Maintenance and servicing table		Before starting up	On finishing work	Weekly	Annually	After faults	After damage
Electrical system	▶ Check the condition and cleanliness of electric cables, plugs/connectors and switches.	X	X			X	X
	▶ Check the condition and cleanliness of couplings.	X	X			X	X
Wall saw head	▶ Retighten loose bolts, screws and nuts (refer to the tightening torque specifications)	X				X	X
	▶ Check cleanliness	X	X			X	X
Lock unit	▶ Clean latching recesses and guide grooves	X	X			X	X
	▶ Lubricate (see chapter 5.4)			X		X	X
Guide rollers	▶ Check the bearing clearance for wear	X	X			X	X
	▶ Clean	X	X			X	X
	▶ Replace (see chapter 5.3)						X
Rotating chassis	▶ Clean with water		X				
	▶ Check the saw blade uptake for wear	X				X	X
	▶ Change the gear oil (see chapter 5.5)	Every 100 h					
Water economy	▶ Check the water line for cleanliness and leak-tightness	X				X	X
	▶ Blow out water (see chapter 5.2)		X				
Saw blade	▶ Clean with water		X				
	▶ Check for wear	X	X			X	X
Service	▶ To be performed by TYROLIT Hydrostress AG or an authorised workshop	After 100/300/500/700 hours					

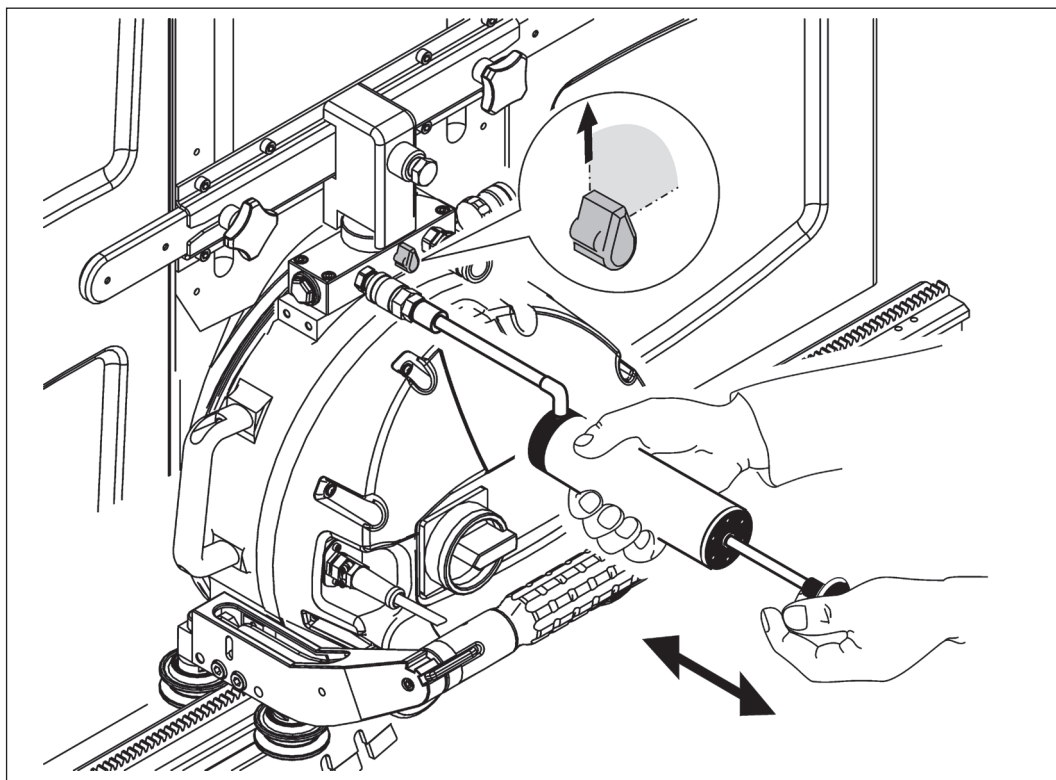
5.1 Cleaning



Caution

Cleaning using high pressure cleaning equipment is not permitted. Cleaning using high pressure cleaning equipment can damage the wall saw WSE811 ★★★. Products containing cleaning agent can damage parts of the wall saw WSE811 ★★★, the remote controller and the cables.

5.2 Blowing out the water

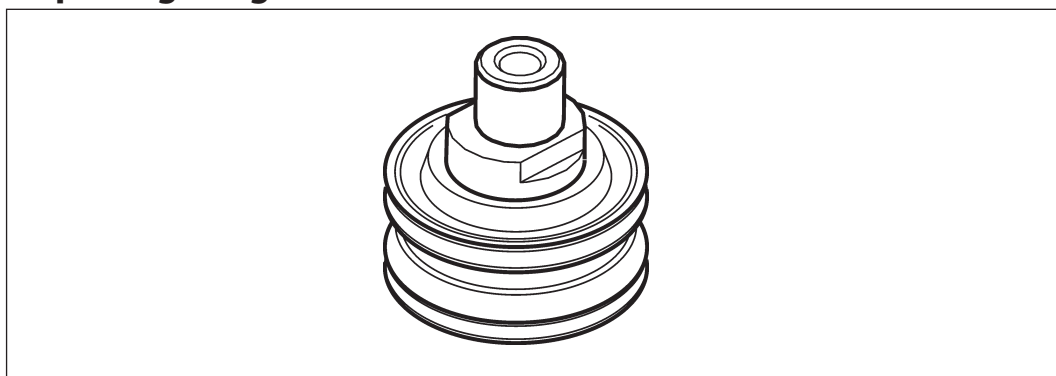


Blowing out the water



The blade guard must be fitted, so that the water can be properly blown out of the lines. Use the TYROLIT purge pump, no.10982667.

5.3 Replacing the guide rollers

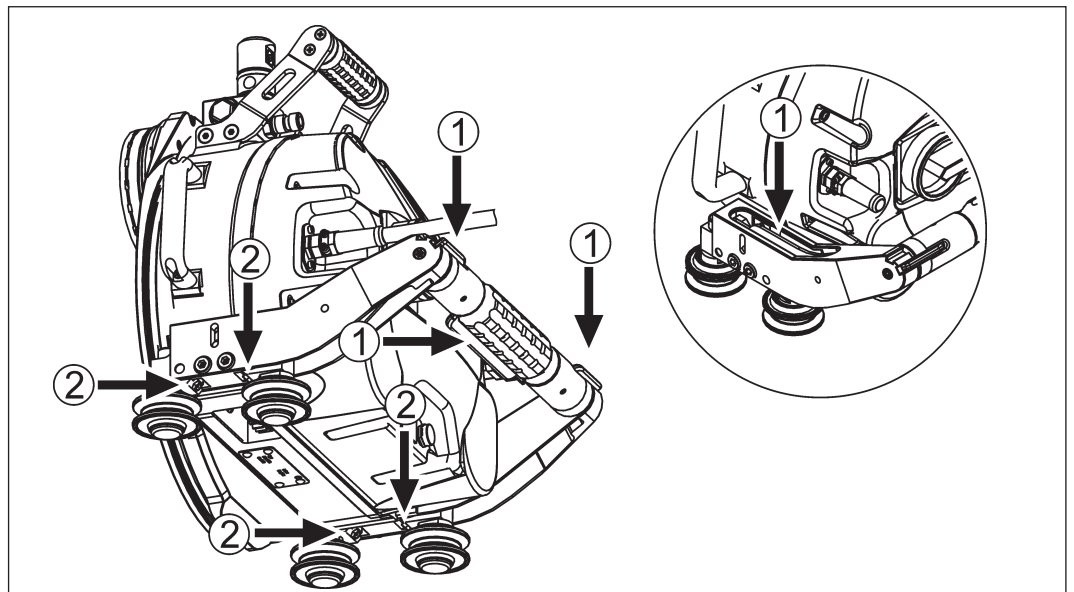


Replacing the guide rollers

► Defective guide rollers should be replaced with the replacement set.

Guide roller No.10993972
Eccentric roller No.10993974

5.4 Lubricating the lock unit



Lubricating the lock unit



Lubricating grease

- 1 Treat joints and lock unit with lubricant TYROLIT no. 975061 (spray).
- 2 Lubricate using a grease gun (EP Grease 2)

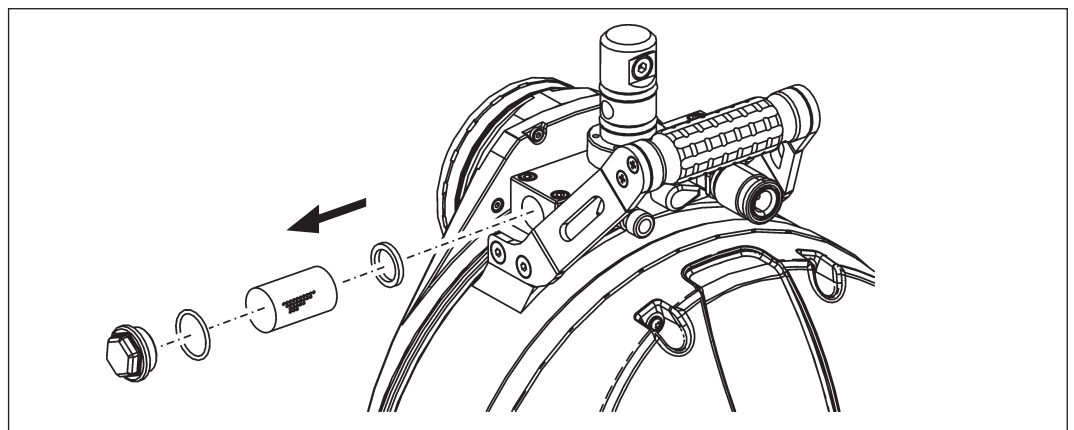
5.5 Cleaning the water filter

✓ Tool

Fork wrench



Size 18



Cleaning the water filter



Clean and disassemble the water filter

Clean the water filter with warm water.

5.6 Changing the gear oil



The use of unsuitable oil can damage the wall saw.

► Use only TYROLIT Hydrostress AG oil containers (no. 10995817, 0.4 dl).

✓ Tool

Allen key

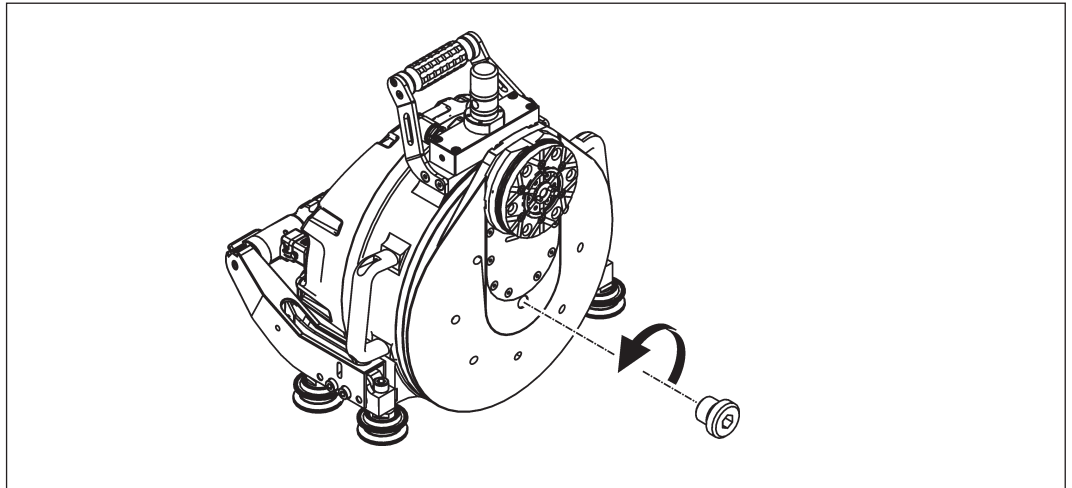


Size 5

Oil container



0.4 dl (TYROLIT no.10995817)



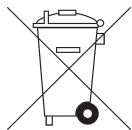
Change gear oil



Allow gear oil to drain.

To ensure all the gear oil can drain out, turn the hub twice by hand.

5.7 Recycling waste



TYROLIT Hydrostress power tools are manufactured using a high proportion of recyclable materials. A prerequisite for recycling is proper material separation. In many countries, TYROLIT is already prepared for taking back your used equipment for recycling. Contact TYROLIT customer service or your sales adviser.

6 Malfunctions

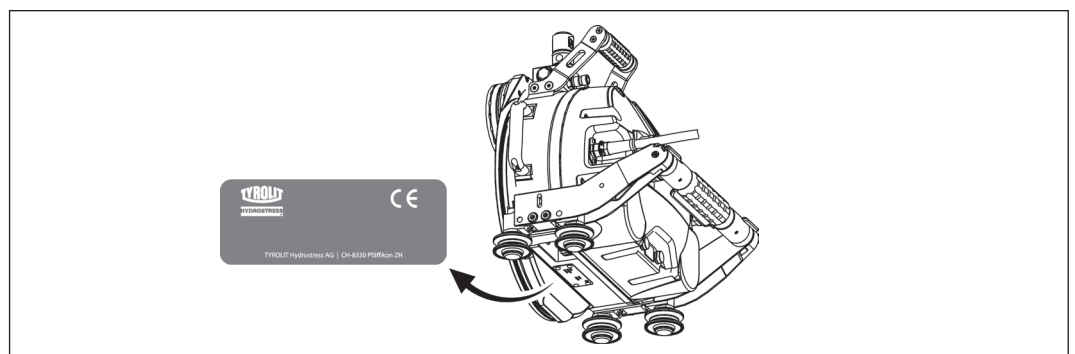
Malfunctions		
Malfunction	Possible cause	Solution
The control unit does not run even though the mains cable is connected	Wall saw is turned off	▶ Switch the wall saw on, see chapter 4.
	Defective mains cable	▶ Replace the mains cable.
	No voltage at the power supply (building site)	▶ Check the power supply.
	Power supply phases incorrectly connected	▶ Check the power supply.
	Phase missing	See the chapter entitled "Reacting to indicators" Flash code 2x.
The control unit starts and then cuts out again	Power supply fuse at the building site trips	▶ Check and if necessary adapt the fuse protection. ▶ If necessary, change the power supply. ▶ See chapter 4.12 entitled "Reacting to indicators".
No power, even though the wall saw is running	Incorrect voltage Defective main motor	▶ Make sure that the control unit voltage and frequency match the mains supply specifications. ▶ Contact TYROLIT Hydrostress AG after-sales service.
	Power range indicator within the red zone	▶ Blade jammed, switch off main motor and loosen the deadlock.
The wall saw suddenly cuts out	Over or undervoltage	▶ Check the power supply. Refer to fault Flash code.
	Cross section of power supply cable too small	▶ Check the power supply.
	Defective plug connection	▶ Check the plug connection. ▶ Check the power supply.
	Group alarm	▶ Refer to the fault indicator
Main motor is not running	• Defective main motor On/Off switch on remote controller The remote controller ready light does not come on.	▶ Contact TYROLIT Hydrostress AG after-sales service. ▶ Switch on the control unit, see chapter 4.2
	The EMERGENCY STOP is activated	▶ Deactivate EMERGENCY STOP, see chapter 4.10.
	Overheating	▶ Check the water circuit and the plug-in couplings. ▶ Refer to the fault indicator.
	No water	▶ Turn on the water. ▶ Refer to the fault flash code
	Remote controller not working	Rechargeable battery or batteries have too little charge Indicator lights, flashes orange
Feed potentiometer indicates no function	• Defective potentiometer in the remote controller • Defective feed motor • Joystick is in the zero position	▶ Contact TYROLIT Hydrostress AG after-sales service. ▶ See the chapter entitled "Reacting to indicators" Flash code 3x ▶ See chapters 4.5/4.6
Overload coupling has triggered	• If the saw blade jams - Wall saw produces a rattling noise - Flash code 4x	▶ Put main motor On/Off switch on the remote controller into 0 position and wait until no more rattling noises can be heard. Lift the saw blade from the cut. Loosen the jammed blade.

Malfunctions		
Malfunction	Possible cause	Solution
Feed motor fails to build up power	Remote controller potentiometer is defective or in the 0-position	<ul style="list-style-type: none"> ▶ Contact TYROLIT Hydrostress AG after-sales service. ▶ See chapter 4.5
	Automatic feed: Power range indicator within the red zone	<ul style="list-style-type: none"> ▶ Blade jammed, switch off main motor and loosen the deadlock
	Defective motor	<ul style="list-style-type: none"> ▶ See the chapter entitled "Reacting to indicators" Flash code 3x. ▶ Contact TYROLIT Hydrostress AG after-sales service.
No water outlet	Water line or filter clogged	<ul style="list-style-type: none"> ▶ Clean the water line. ▶ Clean the water filter (see chapter 5.5)
	Water valve on the supply or water hose is closed	<ul style="list-style-type: none"> ▶ Open the water valve.
	Insufficient water pressure	<ul style="list-style-type: none"> ▶ Make sure that the water pressure is at least 2 bar.
	Defective switch on the remote controller	<ul style="list-style-type: none"> ▶ Contact TYROLIT Hydrostress AG after-sales service.
	Defective watervalue	<ul style="list-style-type: none"> ▶ Contact TYROLIT Hydrostress AG after-sales service.
Uncontrolled water outlet	<ul style="list-style-type: none"> • Water valve on the wall saw head is faulty • Defective switch on the radio remote controller 	<ul style="list-style-type: none"> ▶ Stop water outlet using the hose water valve. ▶ Contact TYROLIT Hydrostress AG after-sales service.
	<ul style="list-style-type: none"> • Blade guard not assembled 	<ul style="list-style-type: none"> ▶ Assemble the blade guard
Group alarm on the remote controller		<ul style="list-style-type: none"> ▶ See the chapter entitled "Reacting to indicators".



If you are unable to remedy a fault, please call our service centre (see manufacturer's address on the reverse of the title page).

To guarantee a rapid and professional solution to the problem, it is important that you prepare as follows before calling:



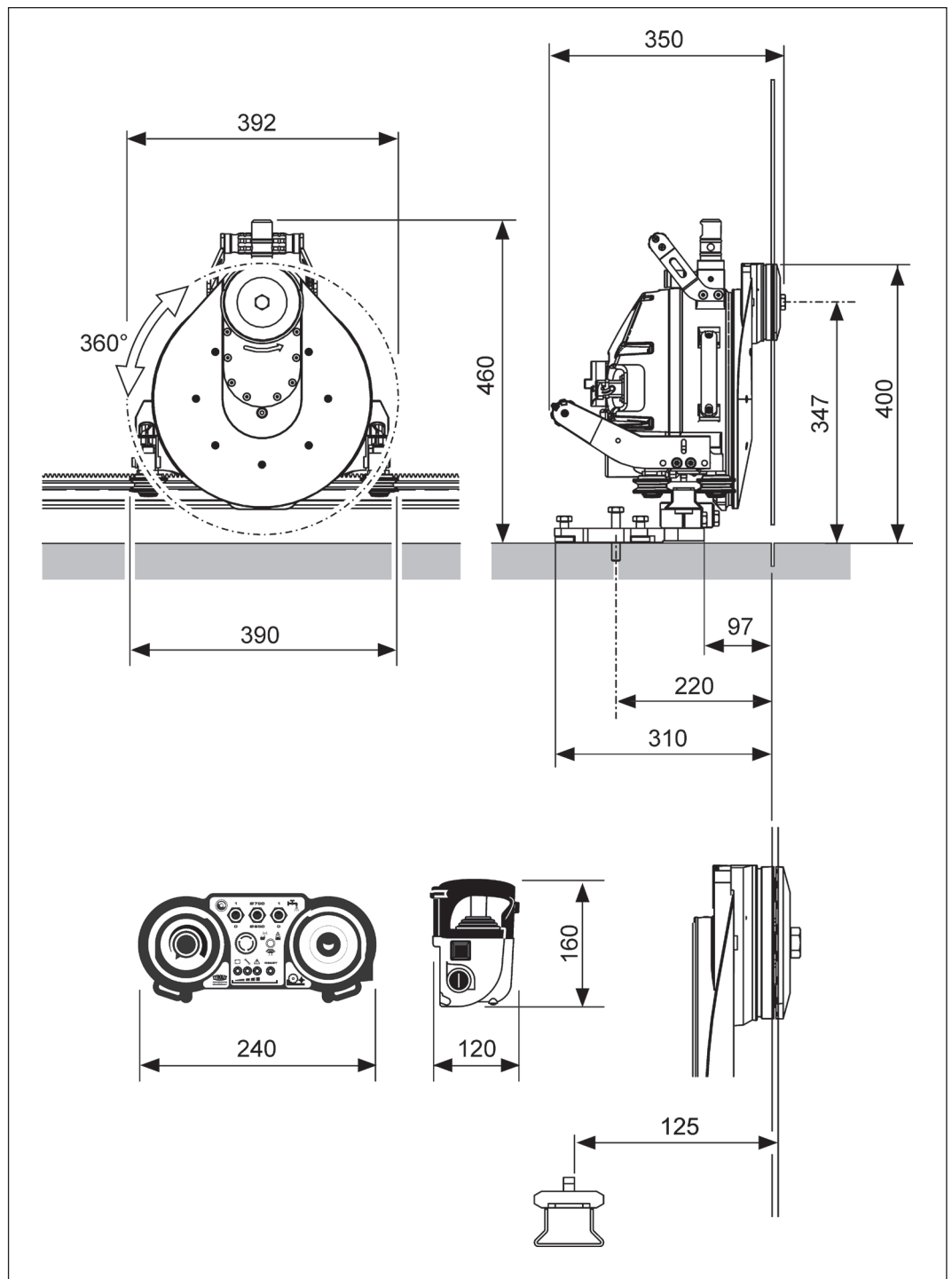
Name plate

Proceed as follows:

- ▶ Try to describe the fault as precisely as possible.
- ▶ Note the type and index designation of your unit (name plate).
- ▶ Have the operating instructions close to hand.

7 Technical data

7.1 Dimensions



Measurements in mm

7.2 Weights

Weight	
Parameter	Value
Wall saw head complete	25 kg
Remote controller	1.5 kg

7.3 Design

Design	
Parameter	Value
Construction	Light aluminium/steel construction
Disc rotor drive	360°
Power transmission	Toothed wheel
Grips	4 pieces, 1 grip with locking function
Guide rollers	Low-wearing
Rail mounting	Locking and safety function on grip
Main motor	High-frequency, water-cooled
Feed motor/swivelling motor	Electric motor with gearbox
Flush cutting	Flange without blade cover
Normal cutting	Flange with blade cover
Water	Water connection on chassis

7.4 Saw blade drive motor

Blade drive motor	
Parameter	Value
Electric motor	High-frequency, water-cooled
Voltage	380–420 V
Frequency	50–667 Hz

7.5 Feed motor, travel

Electric feed motor with gearbox	
Parameter	Value
Gear reduction	1:26
Voltage	48 V
Feed	Toothed wheel on rail
Worm gear	1:16
Power	150 W

7.6 Feed motor, swivel

Electric feed motor with gearbox	
Parameter	Value
Gear reduction	1:19
Voltage	48 V
Swivel range (swivel arm)	360°
Worm gear	1:16
Power	150 W

7.7 Noise level

Noise data according to ISO 3744	
Parameter	Value
Sound pressure level L_{pA}	77 dB(A) *
Highest value of sound pressure L_{pCpeak}	105 dB
Acoustic power level L_{WA}	97 dB(A) *

Conditions for the measurement:

* Saw blade Ø750 mm not in cutting operation under full load

7.8 Saw blades

Saw blades		
Parameter	Value	
Saw blade max.	Ø750 mm	
Fully detachable saw blade	Ø650 mm	
Blade uptake	Ø60 mm/Ø25.4 mm	
Blade flange fixing at wall saw	Flange	
Saw blade fixing on blade flange (also for flush cuts)	6 countersunk screws M8x12 10.9 reference circle 90 mm	
Blade cover fixing on blade flange	1 x hexagon head cap screws, M12x25 8.8	
Cutting depth	Ø600 mm	240 mm
	Ø650 mm	265 mm
	Ø750 mm	315 mm

7.9 Lubricants and fluids

Lubricants and fluids		
Parameter		Value
Gear oil (swivel arm)		Klüber EG 4 (TYROLIT no. 10981362)
Grease (lock unit) TYROLIT no. 975057	Penetration	265 to 295
	NLGI	2
Universal Spray 250 ml (lock unit) TYROLIT no. 975061		
Grease (travel and swivel gear)	Penetration	400 to 430
	NLGI	00

7.10 Water

Water connection	
Parameter	Value
Pressure	Min. 2 bar/max. 6 bar
Quantity	Min. 4 l/min
Max. temperature	25 °C

7.11 Ambient temperature recommendation

Ambient temperature	
Parameter	Value
Storage	-20 °C to 50 °C
Operation	-15 °C to 45 °C

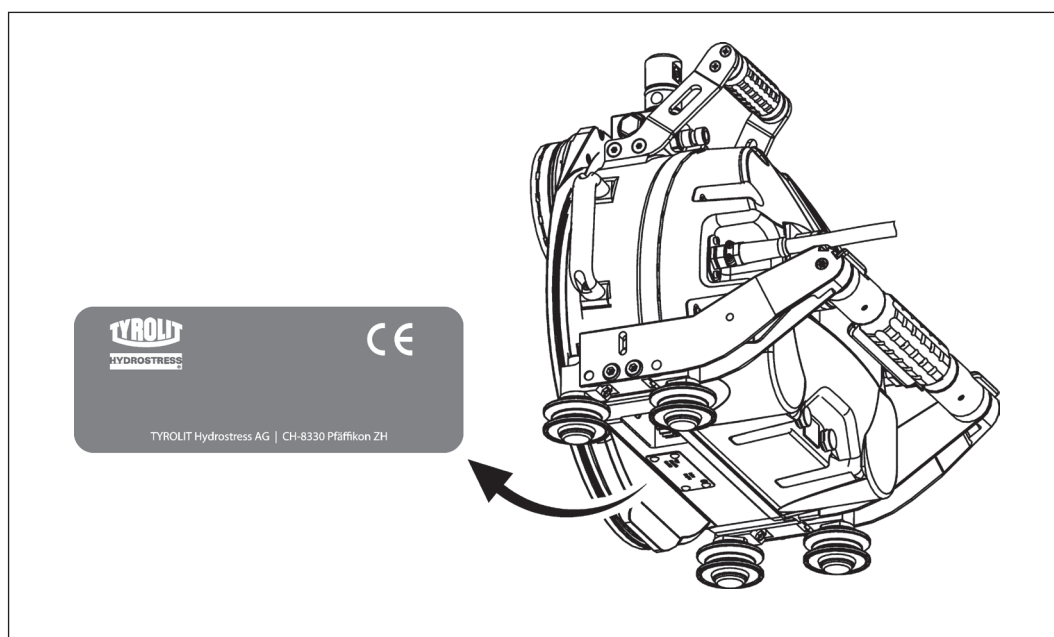
7.12 Electrical data

Electrical data		
Parameter		Value
Protection class	IP 65	
Connected values	380 to 420 VAC/50 Hz/60 Hz	
Power consumption	16 A (400 V/50 Hz)	
Power	16 A	9 kW
Internal control voltages	Computer/remote controller	24 VDC
	Feed drives	48 VDC
	Main drive unit	400 VAC, 0...667 Hz

7.13 Remote controller

Remote controller	
Parameter	Value
Cable length (optional)	10 m
Nominal voltage	24 VDC
Protection class	IP 65
Weight	1.5 kg
Frequency	2.4 GHz

7.14 Name plate



Name plate

8 EC Declaration of Conformity

Description	Wall saw
Type designation	WSE811 ★★★
Year of construction	2014

We declare under our sole responsibility that this product complies with the following directives and standards:

Directive applied

2006/42/EC	from 17 May 2006
2011/65/EU	from 08 June 2011
2012/19/EU	from 04 July 2012
2014/30/EU	from 26 February 2014
1999/5/EC	from 09 March 1999

Applied standards

EN 15027/A1: 2009
 EN ISO12100: 2010
 EN 60204-1/A1: 2006
 EN 61000-6-2/A2: 2005
 EN 61000-6-4/A2: 2007

TYROLIT Hydrostress AG

Witzbergstrasse 18
 CH-8330 Pfäffikon
 Switzerland

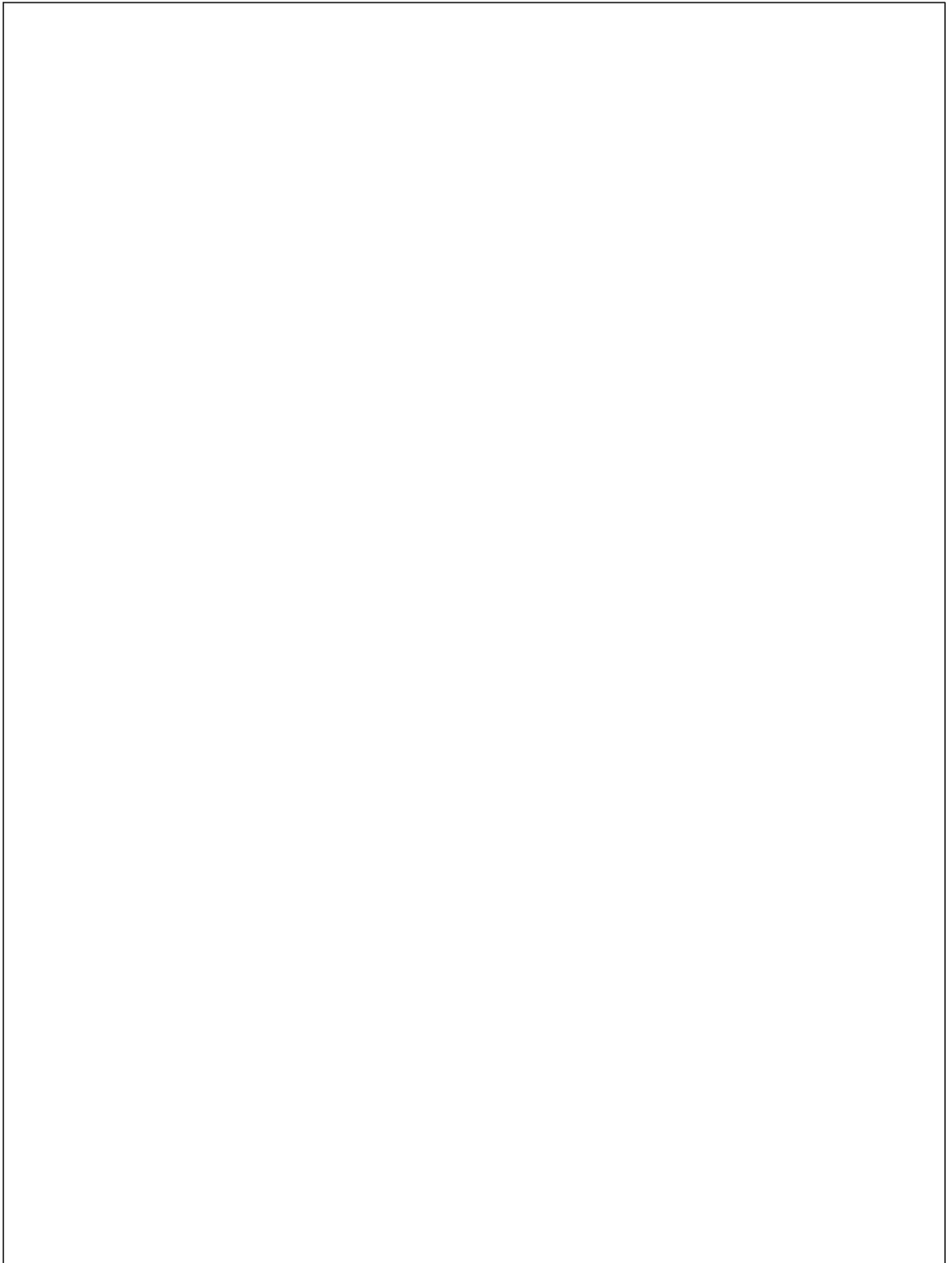
Pfäffikon, 09 April 2015



Pascal Schmid
 Head of Development



Notes:

A large, empty rectangular box with a thin black border, intended for the user to write notes. It occupies the majority of the page's vertical space.

